

CXA-0286

Dimming/Connector Type

Features

- 3-output
- Applicable panel size*: 18 to 20 inches
- With brightness control function (Pulse Wide Modulation mode).
- With shut down function.
- In the high-voltage generator (a terminal and a pattern), an anti-dust measure by silicone application is taken.
(Notice 1) This inverter consists two uses for a 6-lamp panel.
(Notice 2) Applicable panel size becomes a standard.

Applications



CXA-0286 Specifications (Please refer to each specification before use)

Electrical Characteristics

Item	Unit	Symbol	Specification			Condition					Remark
			min	typ	max	Vin(V)	Vrmt(V)	Vbr(V)	Ta(°C)	RL(kΩ)	
Output Current	mArms	Iout (Maximum dimmer)	5.5	6.0	6.5	12±1.2	5	0	23±5	120	(*1)
		Iout (Maximum dimmer)	2.0	3.0	4.0	12±0.05	5	2.5	23±5	120	(*1)
Input Current	A	Iin	-	1.5	2.0	12±0.05	5	0	23±5	120	
Frequency	kHz	Freq1	50	55	60	12±0.05	5	0	23±5	120	
	Hz	Freq2(Duty frequency)	236	250	265	12±0.05	5	0	23±5	120	
Open Circuit Voltage	Vrms	Vopen	2000	2200	-	10.8min.	5	0	23±5	∞	

(*1) Please refer to the connection diagram for details of a dimming method.

Other Specifications

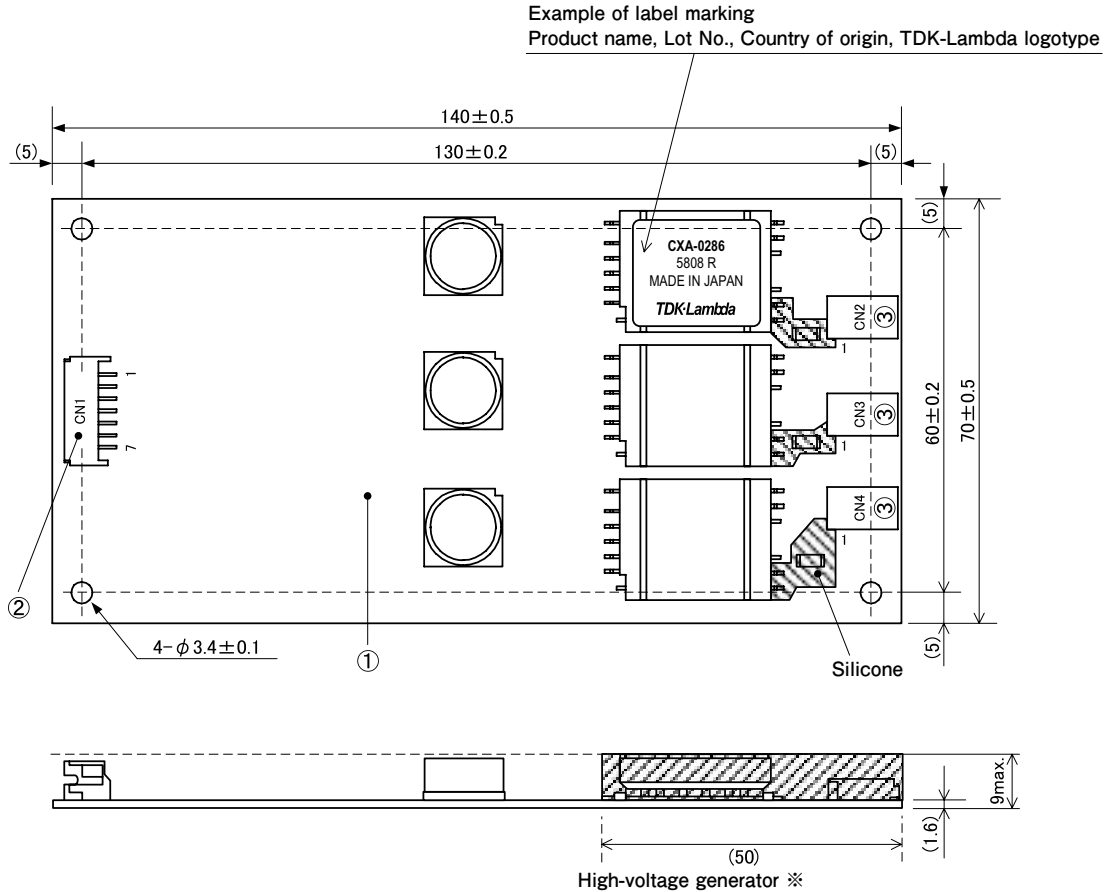
Dimming Function		Yes
Operating Temperature	°C	0 to +60
Storage Temperature	°C	-30 to +85
Operating Humidity Ratio	RH%	95Max
Safety Standard		-
Weight	g	60
Dimensions(WxDxH)	mm	140x70x9 (*2)
Fused Input		Yes
Remote ON / OFF		Yes
Alarm Signal Function		No
Shutdown Function		Yes
Silicone Coating on High Voltage Area		Yes

(*2) These dimensions are indicated the maximum only H. Others are typical values.

Conformity to RoHs Directive

This means that, in conformity with EU Directive 2002/95/EC, lead, cadmium, mercury, hexavalent chromium, and specific bromine-based flame retardants, PBB and PBDE, have not been used, except for exempted applications.

Outline Drawing



High-voltage generator ※
(The entire surface within a range of 50mm away from the end of the basein)

※From high-voltage generator, please secure space distance more than 4mm in top and bottom right and left.

unit:mm

Connector

Connector number	Part number	Model/Material	Quantity	Remarks	Recommended applicable connector
①	Printed circuit board PCB	Composite (CEM-3)	1	UL94V-0 t=1.0	—
②	Input connector CN1	S7B-PH-SM4-TB (LF)(SN)	1	JST Mfg. Co., Ltd.	PHR-7
③	Output connector CN2 to 4	SM02B-BHSS-1-TB(LF)(SN)	3	JST Mfg. Co., Ltd.	BHSR-02VS-1

Terminal Numbers And Functions

Input side CN1

Terminal number	Symbol	Rated voltage	Remarks
CN1-1	Vin	12±1.2V	Power input
CN1-2			
CN1-3	GND	0V	Ground
CN1-4			
CN1-5	Vbr	0 to 2.5V	Dimmer terminal
CN1-6	N.C.	N.C.	—
CN1-7	Vrmt	0/2.5V to Vin	Remote terminal 0 to 0.4V : OFF 2.5 to Vin : ON

Output side CN2

Terminal number	Symbol	Rated voltage	Remarks
CN2-1	V _{HIGH1}	825Vrms	Output 1
CN2-2	V _{LOW1}	(2V)	Output 1 return

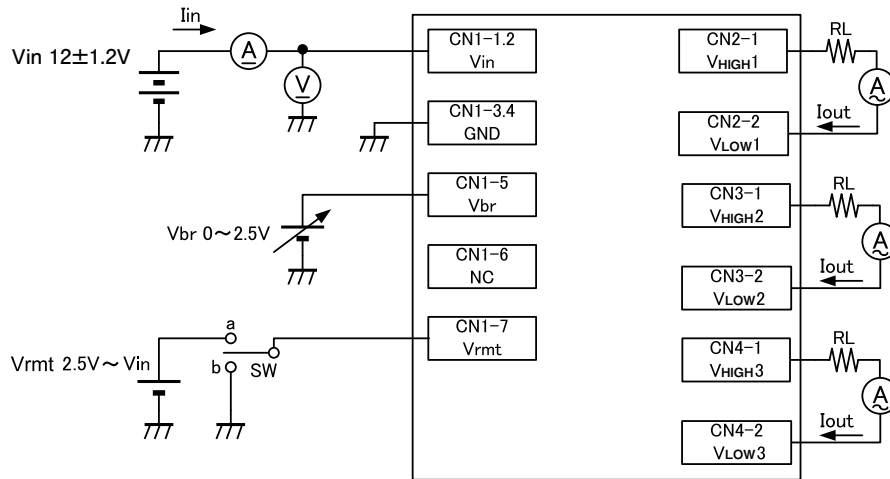
Output side CN3

Terminal number	Symbol	Rated voltage	Remarks
CN3-1	V _{HIGH2}	825Vrms	Output 2
CN3-2	V _{LOW2}	(2V)	Output 2 return

Output side CN4

Terminal number	Symbol	Rated voltage	Remarks
CN4-1	V _{HIGH3}	825Vrms	Output 3
CN4-2	V _{LOW3}	(2V)	Output 3 return

Connections



RL : Load resistance (7W minimum)

Operate as follows by switching a SW.

SW		Unit operation
a	2.5-14.4V	Operation
b	0-0.4V	Operation stopped

Protection circuit operation

Load condition	Shut-down function
Normal condition	Does not shut down
When 1 load (lamp) is run-out	Shut down
When 2 loads (lamps) are run-out	Shut down
When 3 loads (lamps) are run-out	Shut down

※ When lamp more than one of them was opened, stop operation in this inverter at about 1 second because it has included protective function.