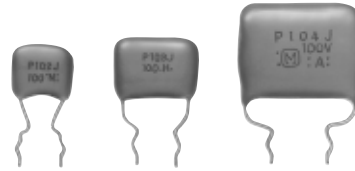


### Polypropylene Film Capacitor

Type: **ECQP(Z)**

Non-inductive construction using Polypropylene film with epoxy resin coating



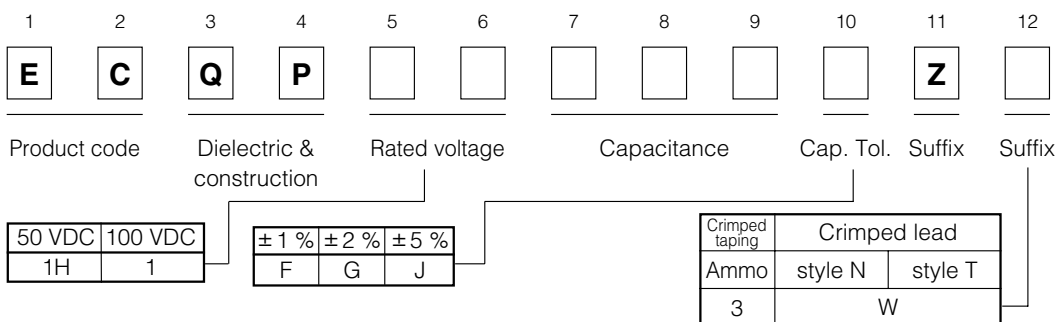
#### ■Features

- Excellent temperature and frequency characteristics
- Excellent long term stability
- RoHS directive compliant

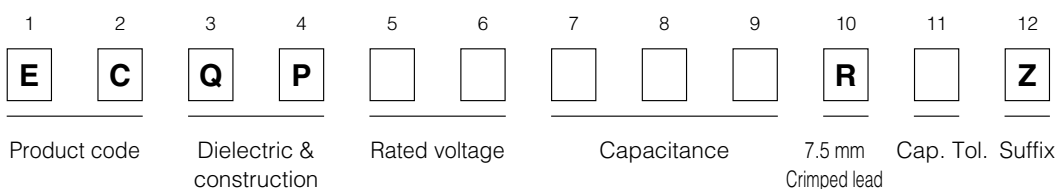
#### ■Recommended Applications

- Dolby circuits
- Oscillation circuits

#### ■Explanation of Part Numbers



#### ●Explanation of Part Number for Odd Size Taping



#### ■Specifications

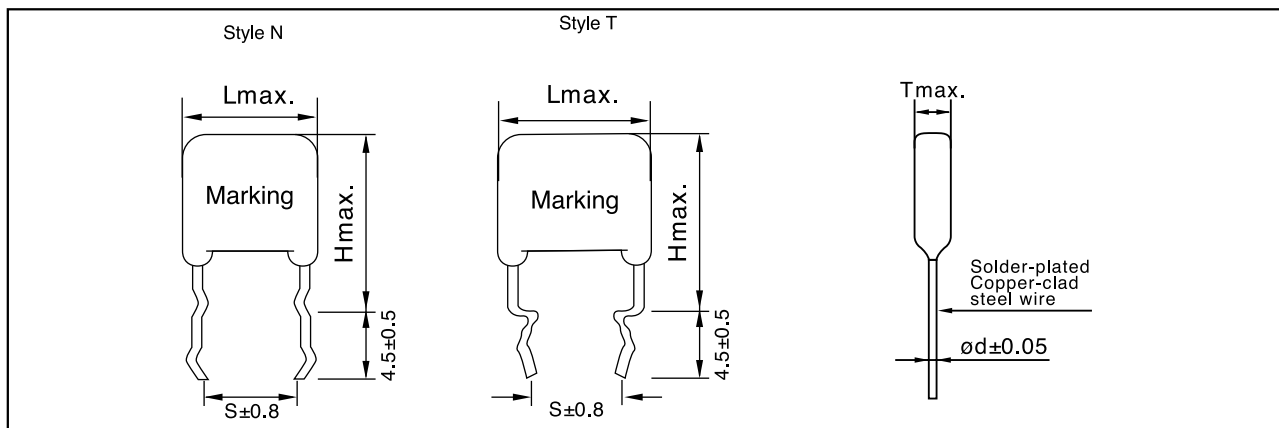
|  |   |
|--|---|
| Category temp. range<br>(Including temperature-rise on unit surface) | -40 °C to +85 °C  |
| Rated voltage  | 50 VDC, 100 VDC<br>(Derating of rated voltage by 2.0 %/°C at more than 70 °C)<br>(Derating is required according to cap. value.)<br>(* Refer to the table on the next page.)  |
| Capacitance range  | 0.00010 μF to 0.47 μF   |
| Capacitance tolerance  | ± 1 % (F), ± 2 % (G), ± 5 % (J)<br>50 VDC : For cap. value 0.00010 μF to 0.00030 μF, ± 5 % (J) only<br>50 VDC : For cap. value 0.00033 μF to 0.00091 μF, ± 2 % (G), ± 5 % (J) only<br>100 VDC : For cap. value 0.00010 μF to 0.00043 μF, ± 5 % (J) only<br>100 VDC : For cap. value 0.00047 μF to 0.00091 μF, ± 2 % (G), ± 5 % (J) only |
| Dissipation factor (tan δ)   | tan δ ≤ 0.1% (20 °C, 1 kHz)   |
| Withstand voltage  | Between terminals: Rated volt. (VDC) × 250 % 1 s to 5 s   |
| Insulation resistance (IR)   | C ≤ 0.33 μF : IR ≥ 45000 MΩ<br>C > 0.33 μF : IR ≥ 15000 MΩ · μF (20 °C, Rated volt., 60 s)  |

\* In case of applying voltage in alternating current (50 Hz or 60 Hz sine wave) to a capacitor with DC rated voltage, please refer to the page of "Permissible voltage (R.M.S) in alternating current corresponding to DC rated voltage".

### \* Derating of rated voltage to capacitance value

| Cap. value (μF) | Rated volt. |         |
|-----------------|-------------|---------|
|                 | 50 VDC      | 100 VDC |
| 0.11—0.12       | 49V         | 98V     |
| 0.13—0.15       | 47V         | 95V     |
| 0.16—0.18       | 46V         | 93V     |
| 0.20—0.22       | 45V         | 90V     |
| 0.24—0.27       | 44V         | 88V     |
| 0.30—0.33       | 42V         | 85V     |
| 0.36—0.39       | 41V         | 83V     |
| 0.43—0.47       | 40V         | 80V     |

### ■ Dimensions in mm (not to scale)

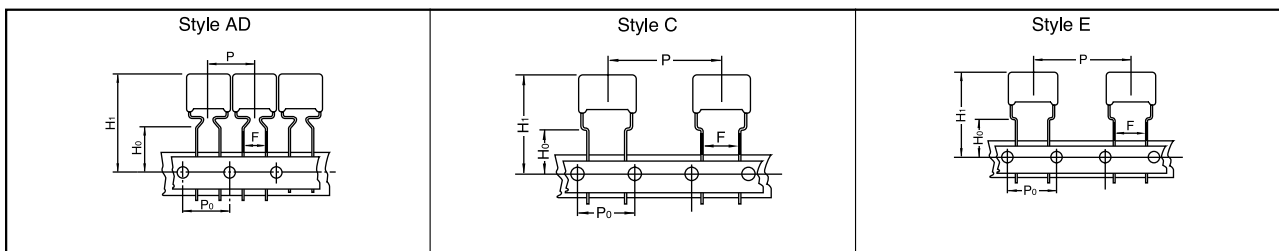


### ■ Packaging Specifications for Bulk Package

- Packing quantity: 100 pcs./bag

### ■ Taping Specifications for Automatic Insertion

- Taping style



\*Cap. Tol. ± 1 % (F) is not available for taping

\*Refer to the page of taping specifications.

### ● Packaging Specifications

| Type | Rated volt. | Cap. range (μF)  | Taping style |    |   |   |   |   |  | Packing |
|------|-------------|------------------|--------------|----|---|---|---|---|--|---------|
|      |             |                  | AD           | AS | B | C | D | E |  |         |
| ECQP | 50 VDC      | 0.00010 to 0.033 | O            |    |   |   |   |   |  | Ammo    |
|      |             | 0.036 to 0.13    |              |    |   | O |   |   |  | Ammo    |
|      |             | 0.10 to 0.33     |              |    |   |   |   | O |  | Ammo    |
|      | 100 VDC     | 0.00010 to 0.018 | O            |    |   |   |   |   |  | Ammo    |
|      |             | 0.020 to 0.16    |              |    |   | O |   |   |  | Ammo    |
|      |             | 0.22             |              |    |   |   |   | O |  | Ammo    |

### ● Lead Spacing

| Style | Lead Spacing |
|-------|--------------|
| AD    | 5.0 mm       |
| C     | 5.0 mm       |
| E     | 7.5 mm       |

\* See the column "Rating, Dimensions & Quantity Box" for packing quantity.

### ■ Rating, Dimensions & Quantity/Ammo Box

● Rated voltage : 50VDC, Capacitance tolerance :  $\pm 1\%$  (F),  $\pm 2\%$  (G),  $\pm 5\%$  (J)

Only  $\pm 5\%$  (J) is available from 0.00010  $\mu\text{F}$  to 0.00030  $\mu\text{F}$ , Only  $\pm 2\%$  (G),  $\pm 5\%$  (J) is available from 0.00033  $\mu\text{F}$  to 0.00091  $\mu\text{F}$

| Part No.       | Cap.<br>( $\mu\text{F}$ ) | Dimensions (mm)   |                   |                   |     |          | Quantity |
|----------------|---------------------------|-------------------|-------------------|-------------------|-----|----------|----------|
|                |                           | L <sub>max.</sub> | T <sub>max.</sub> | H <sub>max.</sub> | S   | $\phi d$ | Ammo     |
| ECQP1H101JZ( ) | 0.00010                   | 8.5               | 4.5               | 12.5              | 5.0 | 0.50     | 1000     |
| ECQP1H111JZ( ) | 0.00011                   | 8.5               | 4.5               | 12.5              | 5.0 | 0.50     |          |
| ECQP1H121JZ( ) | 0.00012                   | 8.5               | 4.5               | 12.5              | 5.0 | 0.50     |          |
| ECQP1H131JZ( ) | 0.00013                   | 8.5               | 4.5               | 12.5              | 5.0 | 0.50     |          |
| ECQP1H151JZ( ) | 0.00015                   | 8.5               | 4.5               | 12.5              | 5.0 | 0.50     |          |
| ECQP1H161JZ( ) | 0.00016                   | 8.5               | 4.5               | 12.5              | 5.0 | 0.50     |          |
| ECQP1H181JZ( ) | 0.00018                   | 8.5               | 4.5               | 12.5              | 5.0 | 0.50     |          |
| ECQP1H201JZ( ) | 0.00020                   | 8.5               | 4.5               | 12.5              | 5.0 | 0.50     |          |
| ECQP1H221JZ( ) | 0.00022                   | 8.5               | 4.5               | 12.5              | 5.0 | 0.50     |          |
| ECQP1H241JZ( ) | 0.00024                   | 8.5               | 4.5               | 12.5              | 5.0 | 0.50     |          |
| ECQP1H271JZ( ) | 0.00027                   | 8.5               | 4.5               | 12.5              | 5.0 | 0.50     |          |
| ECQP1H301JZ( ) | 0.00030                   | 8.5               | 4.5               | 12.5              | 5.0 | 0.50     |          |
| ECQP1H331□Z( ) | 0.00033                   | 8.5               | 4.5               | 12.5              | 5.0 | 0.50     |          |
| ECQP1H361□Z( ) | 0.00036                   | 8.5               | 4.5               | 12.5              | 5.0 | 0.50     |          |
| ECQP1H391□Z( ) | 0.00039                   | 8.5               | 4.5               | 12.5              | 5.0 | 0.50     |          |
| ECQP1H431□Z( ) | 0.00043                   | 8.5               | 4.5               | 12.5              | 5.0 | 0.50     |          |
| ECQP1H471□Z( ) | 0.00047                   | 8.5               | 4.5               | 12.5              | 5.0 | 0.50     |          |
| ECQP1H511□Z( ) | 0.00051                   | 8.5               | 4.5               | 12.5              | 5.0 | 0.50     |          |
| ECQP1H561□Z( ) | 0.00056                   | 8.5               | 4.5               | 12.5              | 5.0 | 0.50     |          |
| ECQP1H621□Z( ) | 0.00062                   | 8.5               | 4.5               | 12.5              | 5.0 | 0.50     |          |
| ECQP1H681□Z( ) | 0.00068                   | 8.5               | 4.5               | 12.5              | 5.0 | 0.50     |          |
| ECQP1H751□Z( ) | 0.00075                   | 8.5               | 4.5               | 12.5              | 5.0 | 0.50     |          |
| ECQP1H821□Z( ) | 0.00082                   | 8.5               | 4.5               | 12.5              | 5.0 | 0.50     |          |
| ECQP1H911□Z( ) | 0.00091                   | 8.5               | 4.5               | 12.5              | 5.0 | 0.50     |          |
| ECQP1H102□Z( ) | 0.0010                    | 8.5               | 4.5               | 12.5              | 5.0 | 0.50     |          |
| ECQP1H112□Z( ) | 0.0011                    | 8.5               | 4.5               | 12.5              | 5.0 | 0.50     |          |
| ECQP1H122□Z( ) | 0.0012                    | 8.5               | 4.5               | 12.5              | 5.0 | 0.50     |          |
| ECQP1H132□Z( ) | 0.0013                    | 8.5               | 4.5               | 12.5              | 5.0 | 0.50     |          |
| ECQP1H152□Z( ) | 0.0015                    | 8.5               | 4.5               | 12.5              | 5.0 | 0.50     |          |
| ECQP1H162□Z( ) | 0.0016                    | 8.5               | 4.5               | 12.5              | 5.0 | 0.50     |          |
| ECQP1H182□Z( ) | 0.0018                    | 8.5               | 4.5               | 12.5              | 5.0 | 0.50     |          |
| ECQP1H202□Z( ) | 0.0020                    | 8.5               | 4.5               | 12.5              | 5.0 | 0.50     |          |
| ECQP1H222□Z( ) | 0.0022                    | 8.5               | 4.5               | 12.5              | 5.0 | 0.50     |          |
| ECQP1H242□Z( ) | 0.0024                    | 8.5               | 4.5               | 12.5              | 5.0 | 0.50     |          |
| ECQP1H272□Z( ) | 0.0027                    | 8.5               | 4.5               | 12.5              | 5.0 | 0.50     |          |
| ECQP1H302□Z( ) | 0.0030                    | 8.5               | 4.5               | 12.5              | 5.0 | 0.50     |          |
| ECQP1H332□Z( ) | 0.0033                    | 8.5               | 4.5               | 12.5              | 5.0 | 0.50     |          |
| ECQP1H362□Z( ) | 0.0036                    | 8.5               | 4.5               | 12.5              | 5.0 | 0.50     |          |
| ECQP1H392□Z( ) | 0.0039                    | 8.5               | 4.5               | 12.5              | 5.0 | 0.50     |          |
| ECQP1H432□Z( ) | 0.0043                    | 8.5               | 4.5               | 12.5              | 5.0 | 0.50     |          |
| ECQP1H472□Z( ) | 0.0047                    | 8.5               | 4.5               | 12.5              | 5.0 | 0.50     |          |
| ECQP1H512□Z( ) | 0.0051                    | 8.5               | 4.5               | 13.0              | 5.0 | 0.50     |          |
| ECQP1H562□Z( ) | 0.0056                    | 8.5               | 4.5               | 13.0              | 5.0 | 0.50     |          |
| ECQP1H622□Z( ) | 0.0062                    | 8.5               | 5.0               | 13.0              | 5.0 | 0.50     |          |
| ECQP1H682□Z( ) | 0.0068                    | 8.5               | 5.0               | 13.0              | 5.0 | 0.50     |          |

Suffix for lead crimped or taped type  
 Cap. tol. code

Style N: 0.00010  $\mu\text{F}$  to 0.0068  $\mu\text{F}$

■ Rating, Dimensions & Quantity/Ammo Box

● Rated voltage : 50 VDC, Capacitance tolerance : ±1 % (F), ±2 % (G), ±5 % (J)

| Part No.        | Cap.<br>( $\mu$ F) | Dimensions (mm)   |                   |                   |      |          | Quantity |
|-----------------|--------------------|-------------------|-------------------|-------------------|------|----------|----------|
|                 |                    | L <sub>max.</sub> | T <sub>max.</sub> | H <sub>max.</sub> | S    | $\phi$ d | Ammo     |
| ECQP1H752 □Z( ) | 0.0075             | 12.0              | 5.0               | 14.0              | 5.0  | 0.60     | 1000     |
| ECQP1H822 □Z( ) | 0.0082             | 12.0              | 5.5               | 14.0              | 5.0  | 0.60     |          |
| ECQP1H912 □Z( ) | 0.0091             | 12.0              | 5.0               | 13.5              | 5.0  | 0.60     |          |
| ECQP1H103 □Z( ) | 0.010              | 12.0              | 5.0               | 13.5              | 5.0  | 0.60     |          |
| ECQP1H113 □Z( ) | 0.011              | 12.0              | 5.0               | 14.0              | 5.0  | 0.60     |          |
| ECQP1H123 □Z( ) | 0.012              | 12.0              | 5.5               | 14.0              | 5.0  | 0.60     |          |
| ECQP1H133 □Z( ) | 0.013              | 12.0              | 5.0               | 14.0              | 5.0  | 0.60     |          |
| ECQP1H153 □Z( ) | 0.015              | 12.0              | 5.0               | 14.0              | 5.0  | 0.60     |          |
| ECQP1H163 □Z( ) | 0.016              | 12.0              | 5.5               | 14.0              | 5.0  | 0.60     |          |
| ECQP1H183 □Z( ) | 0.018              | 12.0              | 5.5               | 14.5              | 5.0  | 0.60     |          |
| ECQP1H203 □Z( ) | 0.020              | 12.0              | 5.5               | 14.5              | 5.0  | 0.60     |          |
| ECQP1H223 □Z( ) | 0.022              | 12.0              | 5.5               | 15.5              | 5.0  | 0.60     |          |
| ECQP1H243 □Z( ) | 0.024              | 12.0              | 6.0               | 15.5              | 5.0  | 0.60     | 500      |
| ECQP1H273 □Z( ) | 0.027              | 12.0              | 6.0               | 16.0              | 5.0  | 0.60     |          |
| ECQP1H303 □Z( ) | 0.030              | 12.0              | 6.5               | 16.0              | 5.0  | 0.60     |          |
| ECQP1H333 □Z( ) | 0.033              | 12.0              | 6.5               | 16.5              | 5.0  | 0.60     |          |
| ECQP1H363 □Z( ) | 0.036              | 14.5              | 5.5               | 17.0              | 5.0  | 0.60     |          |
| ECQP1H393 □Z( ) | 0.039              | 14.5              | 5.5               | 17.0              | 5.0  | 0.60     |          |
| ECQP1H433 □Z( ) | 0.043              | 14.5              | 6.0               | 17.0              | 5.0  | 0.60     |          |
| ECQP1H473 □Z( ) | 0.047              | 14.5              | 6.0               | 17.5              | 5.0  | 0.60     |          |
| ECQP1H513 □Z( ) | 0.051              | 14.5              | 6.5               | 18.5              | 5.0  | 0.60     |          |
| ECQP1H563 □Z( ) | 0.056              | 14.5              | 6.5               | 18.5              | 5.0  | 0.60     |          |
| ECQP1H623 □Z( ) | 0.062              | 14.5              | 7.0               | 19.0              | 5.0  | 0.60     |          |
| ECQP1H683 □Z( ) | 0.068              | 14.5              | 7.0               | 19.0              | 5.0  | 0.60     |          |
| ECQP1H753 □Z( ) | 0.075              | 17.0              | 6.5               | 18.5              | 7.5  | 0.60     | 400      |
| ECQP1H823 □Z( ) | 0.082              | 17.0              | 7.0               | 19.0              | 7.5  | 0.60     |          |
| ECQP1H913 □Z( ) | 0.091              | 17.0              | 7.0               | 19.0              | 7.5  | 0.60     |          |
| ECQP1H104 □Z( ) | 0.10               | 17.0              | 7.5               | 19.5              | 7.5  | 0.60     |          |
| ECQP1H114 □Z( ) | 0.11               | 17.0              | 8.0               | 20.5              | 7.5  | 0.60     |          |
| ECQP1H124 □Z( ) | 0.12               | 17.0              | 8.5               | 20.5              | 7.5  | 0.60     |          |
| ECQP1H134 □Z( ) | 0.13               | 17.0              | 8.5               | 21.0              | 7.5  | 0.60     |          |
| ECQP1H154 □Z( ) | 0.15               | 20.0              | 8.0               | 20.5              | 10.0 | 0.60     |          |
| ECQP1H164 □Z( ) | 0.16               | 20.0              | 8.5               | 20.5              | 10.0 | 0.60     |          |
| ECQP1H184 □Z( ) | 0.18               | 20.0              | 9.0               | 21.0              | 10.0 | 0.60     |          |
| ECQP1H204 □Z( ) | 0.20               | 20.0              | 9.5               | 21.5              | 10.0 | 0.60     |          |
| ECQP1H224 □Z( ) | 0.22               | 20.0              | 9.5               | 22.0              | 10.0 | 0.60     |          |
| ECQP1H244 □Z( ) | 0.24               | 20.0              | 10.0              | 22.5              | 10.0 | 0.60     | 300      |
| ECQP1H274 □Z( ) | 0.27               | 20.0              | 10.5              | 23.0              | 10.0 | 0.60     |          |
| ECQP1H304 □Z( ) | 0.30               | 22.5              | 9.5               | 24.0              | 12.5 | 0.80     |          |
| ECQP1H334 □Z( ) | 0.33               | 22.5              | 10.0              | 24.5              | 12.5 | 0.80     |          |
| ECQP1H364 □Z( ) | 0.36               | 22.5              | 10.5              | 25.0              | 12.5 | 0.80     |          |
| ECQP1H394 □Z( ) | 0.39               | 22.5              | 11.0              | 25.0              | 12.5 | 0.80     |          |
| ECQP1H434 □Z( ) | 0.43               | 22.5              | 11.5              | 25.5              | 12.5 | 0.80     |          |
| ECQP1H474 □Z( ) | 0.47               | 22.5              | 12.0              | 26.0              | 12.5 | 0.80     |          |

Suffix for lead crimped or taped type  
 Cap. tol. code

Style T: 0.0075  $\mu$ F to 0.47  $\mu$ F

■ Rating, Dimensions & Quantity/Ammo Box

● Rated voltage : 100 VDC, Capacitance tolerance :  $\pm 1\%$  (F),  $\pm 2\%$  (G),  $\pm 5\%$  (J)

Only  $\pm 5\%$  (J) is available from 0.00010  $\mu\text{F}$  to 0.00043  $\mu\text{F}$ , Only  $\pm 2\%$  (G),  $\pm 5\%$  (J) is available from 0.00047  $\mu\text{F}$  to 0.00091  $\mu\text{F}$

| Part No.      | Cap.<br>( $\mu\text{F}$ ) | Dimensions (mm)   |                   |                   |     |          | Quantity |
|---------------|---------------------------|-------------------|-------------------|-------------------|-----|----------|----------|
|               |                           | L <sub>max.</sub> | T <sub>max.</sub> | H <sub>max.</sub> | S   | $\phi d$ | Ammo     |
| ECQP1101JZ( ) | 0.00010                   | 10.0              | 5.0               | 13.0              | 5.0 | 0.60     | 1000     |
| ECQP1111JZ( ) | 0.00011                   | 10.0              | 5.0               | 13.0              | 5.0 | 0.60     |          |
| ECQP1121JZ( ) | 0.00012                   | 10.0              | 5.0               | 13.0              | 5.0 | 0.60     |          |
| ECQP1131JZ( ) | 0.00013                   | 10.0              | 5.0               | 13.0              | 5.0 | 0.60     |          |
| ECQP1151JZ( ) | 0.00015                   | 10.0              | 5.0               | 13.0              | 5.0 | 0.60     |          |
| ECQP1161JZ( ) | 0.00016                   | 10.0              | 5.0               | 13.0              | 5.0 | 0.60     |          |
| ECQP1181JZ( ) | 0.00018                   | 10.0              | 5.0               | 13.0              | 5.0 | 0.60     |          |
| ECQP1201JZ( ) | 0.00020                   | 10.0              | 5.0               | 13.0              | 5.0 | 0.60     |          |
| ECQP1221JZ( ) | 0.00022                   | 10.0              | 5.0               | 13.0              | 5.0 | 0.60     |          |
| ECQP1241JZ( ) | 0.00024                   | 10.0              | 5.0               | 13.0              | 5.0 | 0.60     |          |
| ECQP1271JZ( ) | 0.00027                   | 10.0              | 5.0               | 13.0              | 5.0 | 0.60     |          |
| ECQP1301JZ( ) | 0.00030                   | 10.0              | 5.0               | 13.0              | 5.0 | 0.60     |          |
| ECQP1331JZ( ) | 0.00033                   | 10.0              | 5.0               | 13.0              | 5.0 | 0.60     |          |
| ECQP1361JZ( ) | 0.00036                   | 10.0              | 5.0               | 13.0              | 5.0 | 0.60     |          |
| ECQP1391JZ( ) | 0.00039                   | 10.0              | 5.0               | 13.0              | 5.0 | 0.60     |          |
| ECQP1431JZ( ) | 0.00043                   | 10.0              | 5.0               | 13.0              | 5.0 | 0.60     |          |
| ECQP1471□Z( ) | 0.00047                   | 10.0              | 5.0               | 13.0              | 5.0 | 0.60     |          |
| ECQP1511□Z( ) | 0.00051                   | 10.0              | 5.0               | 13.0              | 5.0 | 0.60     |          |
| ECQP1561□Z( ) | 0.00056                   | 10.0              | 5.0               | 13.0              | 5.0 | 0.60     |          |
| ECQP1621□Z( ) | 0.00062                   | 10.0              | 5.0               | 13.0              | 5.0 | 0.60     |          |
| ECQP1681□Z( ) | 0.00068                   | 10.0              | 5.0               | 13.0              | 5.0 | 0.60     |          |
| ECQP1751□Z( ) | 0.00075                   | 10.0              | 5.0               | 13.0              | 5.0 | 0.60     |          |
| ECQP1821□Z( ) | 0.00082                   | 10.0              | 5.0               | 13.0              | 5.0 | 0.60     |          |
| ECQP1911□Z( ) | 0.00091                   | 10.0              | 5.0               | 13.0              | 5.0 | 0.60     |          |
| ECQP1102□Z( ) | 0.0010                    | 10.0              | 5.0               | 13.0              | 5.0 | 0.60     |          |
| ECQP1112□Z( ) | 0.0011                    | 10.0              | 5.0               | 13.0              | 5.0 | 0.60     |          |
| ECQP1122□Z( ) | 0.0012                    | 10.0              | 5.0               | 13.0              | 5.0 | 0.60     |          |
| ECQP1132□Z( ) | 0.0013                    | 10.0              | 5.0               | 13.0              | 5.0 | 0.60     |          |
| ECQP1152□Z( ) | 0.0015                    | 10.0              | 5.0               | 13.0              | 5.0 | 0.60     |          |
| ECQP1162□Z( ) | 0.0016                    | 10.0              | 5.0               | 13.0              | 5.0 | 0.60     |          |
| ECQP1182□Z( ) | 0.0018                    | 10.0              | 5.0               | 13.0              | 5.0 | 0.60     |          |
| ECQP1202□Z( ) | 0.0020                    | 10.0              | 5.0               | 13.0              | 5.0 | 0.60     |          |
| ECQP1222□Z( ) | 0.0022                    | 10.0              | 5.0               | 13.0              | 5.0 | 0.60     |          |
| ECQP1242□Z( ) | 0.0024                    | 10.0              | 5.0               | 13.0              | 5.0 | 0.60     |          |
| ECQP1272□Z( ) | 0.0027                    | 10.0              | 5.0               | 13.0              | 5.0 | 0.60     |          |
| ECQP1302□Z( ) | 0.0030                    | 10.0              | 5.0               | 13.0              | 5.0 | 0.60     |          |
| ECQP1332□Z( ) | 0.0033                    | 10.0              | 5.0               | 13.0              | 5.0 | 0.60     |          |
| ECQP1362□Z( ) | 0.0036                    | 10.0              | 5.0               | 13.0              | 5.0 | 0.60     |          |
| ECQP1392□Z( ) | 0.0039                    | 10.0              | 5.0               | 13.0              | 5.0 | 0.60     |          |
| ECQP1432□Z( ) | 0.0043                    | 10.0              | 5.0               | 13.0              | 5.0 | 0.60     |          |
| ECQP1472□Z( ) | 0.0047                    | 10.0              | 5.0               | 13.0              | 5.0 | 0.60     |          |
| ECQP1512□Z( ) | 0.0051                    | 10.0              | 5.0               | 13.0              | 5.0 | 0.60     |          |
| ECQP1562□Z( ) | 0.0056                    | 10.0              | 5.0               | 13.0              | 5.0 | 0.60     |          |
| ECQP1622□Z( ) | 0.0062                    | 10.0              | 5.5               | 13.0              | 5.0 | 0.60     |          |
| ECQP1682□Z( ) | 0.0068                    | 10.0              | 5.5               | 13.0              | 5.0 | 0.60     |          |

— Suffix for lead crimped or taped type  
 — Cap. tol. code

Style N: 0.00010  $\mu\text{F}$  to 0.0068  $\mu\text{F}$

■ Rating, Dimensions & Quantity/Ammo Box

● Rated voltage : 100 VDC, Capacitance tolerance : ±1 % (F), ±2 % (G), ±5 % (J)

| Part No.      | Cap.<br>( $\mu$ F) | Dimensions (mm)   |                   |                   |      |          | Quantity |
|---------------|--------------------|-------------------|-------------------|-------------------|------|----------|----------|
|               |                    | L <sub>max.</sub> | T <sub>max.</sub> | H <sub>max.</sub> | S    | $\phi$ d | Ammo     |
| ECQP1752□Z( ) | 0.0075             | 13.0              | 5.5               | 14.0              | 5.0  | 0.60     | 1000     |
| ECQP1822□Z( ) | 0.0082             | 13.0              | 5.5               | 14.0              | 5.0  | 0.60     |          |
| ECQP1912□Z( ) | 0.0091             | 13.0              | 5.0               | 13.0              | 5.0  | 0.60     |          |
| ECQP1103□Z( ) | 0.010              | 13.0              | 5.0               | 13.5              | 5.0  | 0.60     |          |
| ECQP1113□Z( ) | 0.011              | 13.0              | 5.0               | 13.5              | 5.0  | 0.60     |          |
| ECQP1123□Z( ) | 0.012              | 13.0              | 5.0               | 13.5              | 5.0  | 0.60     |          |
| ECQP1133□Z( ) | 0.013              | 13.0              | 5.0               | 13.5              | 5.0  | 0.60     |          |
| ECQP1153□Z( ) | 0.015              | 13.0              | 5.5               | 14.0              | 5.0  | 0.60     |          |
| ECQP1163□Z( ) | 0.016              | 13.0              | 5.5               | 14.0              | 5.0  | 0.60     |          |
| ECQP1183□Z( ) | 0.018              | 13.0              | 6.0               | 15.0              | 5.0  | 0.60     |          |
| ECQP1203□Z( ) | 0.020              | 16.0              | 5.5               | 15.0              | 5.0  | 0.60     | 500      |
| ECQP1223□Z( ) | 0.022              | 16.0              | 5.5               | 15.0              | 5.0  | 0.60     |          |
| ECQP1243□Z( ) | 0.024              | 16.0              | 5.5               | 15.0              | 5.0  | 0.60     |          |
| ECQP1273□Z( ) | 0.027              | 16.0              | 6.0               | 15.0              | 5.0  | 0.60     |          |
| ECQP1303□Z( ) | 0.030              | 16.0              | 6.0               | 15.5              | 5.0  | 0.60     |          |
| ECQP1333□Z( ) | 0.033              | 16.0              | 6.5               | 15.5              | 5.0  | 0.60     |          |
| ECQP1363□Z( ) | 0.036              | 16.0              | 6.5               | 15.5              | 5.0  | 0.60     |          |
| ECQP1393□Z( ) | 0.039              | 16.0              | 7.0               | 16.0              | 5.0  | 0.60     |          |
| ECQP1433□Z( ) | 0.043              | 16.0              | 7.5               | 16.0              | 5.0  | 0.60     |          |
| ECQP1473□Z( ) | 0.047              | 16.0              | 7.5               | 16.5              | 5.0  | 0.60     |          |
| ECQP1513□Z( ) | 0.051              | 18.0              | 6.5               | 17.0              | 7.5  | 0.60     |          |
| ECQP1563□Z( ) | 0.056              | 18.0              | 6.5               | 17.0              | 7.5  | 0.60     |          |
| ECQP1623□Z( ) | 0.062              | 18.0              | 7.0               | 17.5              | 7.5  | 0.60     |          |
| ECQP1683□Z( ) | 0.068              | 18.0              | 7.0               | 17.5              | 7.5  | 0.60     |          |
| ECQP1753□Z( ) | 0.075              | 18.0              | 7.0               | 18.0              | 7.5  | 0.60     |          |
| ECQP1823□Z( ) | 0.082              | 18.0              | 7.0               | 18.5              | 7.5  | 0.60     |          |
| ECQP1913□Z( ) | 0.091              | 18.0              | 7.5               | 18.5              | 7.5  | 0.60     |          |
| ECQP1104□Z( ) | 0.10               | 18.5              | 7.5               | 19.0              | 7.5  | 0.60     |          |
| ECQP1114□Z( ) | 0.11               | 18.5              | 7.5               | 19.0              | 10.0 | 0.60     |          |
| ECQP1124□Z( ) | 0.12               | 18.5              | 8.5               | 19.5              | 10.0 | 0.60     |          |
| ECQP1134□Z( ) | 0.13               | 18.5              | 9.0               | 20.0              | 10.0 | 0.60     |          |
| ECQP1154□Z( ) | 0.15               | 18.5              | 9.5               | 20.5              | 10.0 | 0.60     |          |
| ECQP1164□Z( ) | 0.16               | 18.5              | 9.5               | 20.5              | 12.5 | 0.60     |          |
| ECQP1184□Z( ) | 0.18               | 19.0              | 10.0              | 21.0              | 12.5 | 0.60     | —        |
| ECQP1204□Z( ) | 0.20               | 19.0              | 10.5              | 21.5              | 12.5 | 0.60     | 300      |
| ECQP1224□Z( ) | 0.22               | 19.0              | 11.0              | 22.0              | 12.5 | 0.60     |          |
| ECQP1244□Z( ) | 0.24               | 25.0              | 9.0               | 21.5              | 12.5 | 0.80     | —        |
| ECQP1274□Z( ) | 0.27               | 25.0              | 9.5               | 22.0              | 12.5 | 0.80     |          |
| ECQP1304□Z( ) | 0.30               | 25.0              | 10.0              | 22.5              | 12.5 | 0.80     |          |
| ECQP1334□Z( ) | 0.33               | 25.0              | 10.0              | 23.0              | 12.5 | 0.80     |          |
| ECQP1364□Z( ) | 0.36               | 25.0              | 10.5              | 23.5              | 12.5 | 0.80     |          |
| ECQP1394□Z( ) | 0.39               | 25.0              | 11.0              | 24.0              | 12.5 | 0.80     |          |
| ECQP1434□Z( ) | 0.43               | 25.0              | 11.5              | 24.5              | 12.5 | 0.80     |          |
| ECQP1474□Z( ) | 0.47               | 25.0              | 12.0              | 25.0              | 12.5 | 0.80     |          |

— Suffix for lead crimped or taped type  
 — Cap. tol. code

Style T: 0.0075  $\mu$ F to 0.15  $\mu$ F, 0.24  $\mu$ F to 0.47  $\mu$ F  
 Style N: 0.16  $\mu$ F to 0.22  $\mu$ F