

# CXA-0283

## Dimming/Connector Type

### ■ Features

- 4-output
- Applicable panel size\*: 15 inches
- With brightness control function (Pulse Wide Modulation mode).
- With shut down function.
- With a sensing function for running out of lamp (alarm output).
- In the high-voltage generator (a terminal and a pattern), an anti-dust measure by silicone application is taken.

(Notice) Applicable panel size becomes a standard.

### ■ Applications



## CXA-0283 Specifications (Please refer to each specification before use)

### Electrical Characteristics

Item	Unit	Symbol	Specification			Condition						Remark
			min	typ	max	Vin(V)	Vrmt(V)	Vbr(V)	Ta(°C)	RL(kΩ)	CL(pF)(*1)	
Output Current	mA	Iout (Maximum dimmer)	5.0	5.5	6.0	12±1.2	5	0	0 to +60	135 to 145	5	(*2)
		Iout (Maximum dimmer)	1.8	2.5	3.2	12±1.2	5	2.5	0 to +60	135 to 145	5	(*2)
Input Current	A	Iin1	-	1.7	2.5	12±0.6	5	0	0 to +60	140	5	Remote ON
	mA	Iin2	-	-	1	12±0.6	0	0	0 to +60	135 to 145	5	Remote OFF
Frequency	kHz	Freq1	40	45	55	12±0.6	5	0	0 to +60	135 to 145	5	
	Hz	Freq2(Duty frequency)	120	140	160	12±0.6	5	2.5	0 to +60	135 to 145	5	
Open Circuit Voltage	Vrms	Vopen	1500	1600	-	10.8min.	5	0	0 to +60		∞	
Alarm Signal	V	Vst	4.5	5.0	5.5	12±1.2	5	0	0 to +60		∞	In case of lamp anomaly (*3)
			-	0	0.5	12±1.2	5	0	0 to +60	135 to 145	5	On a normal operation (*3)

(\*1) As equivalent circuit of panel load, connect resistance load (RL) and distributed capacity (CL), and have provided by an electrical characteristic.

(\*2) Please refer to the connection diagram for details of a dimming method.

(\*3) Please refer to the connection diagram for details of alarm output.

### Other Specifications

Dimming Function		Yes
Operating Temperature	°C	0 to +60
Storage Temperature	°C	-30 to +85
Operating Humidity Ratio	RH%	95Max
Safety Standard		-
Weight	g	43
Dimensions(WxDxH)	mm	180x37x8.5 (*4)
Fused Input		Yes
Remote ON / OFF		Yes
Alarm Signal Function		Yes
Shutdown Function		Yes
Silicone Coating on High Voltage Area		Yes

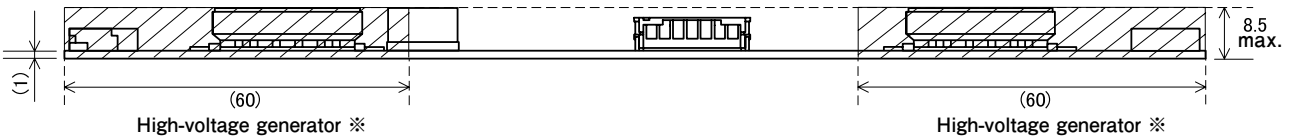
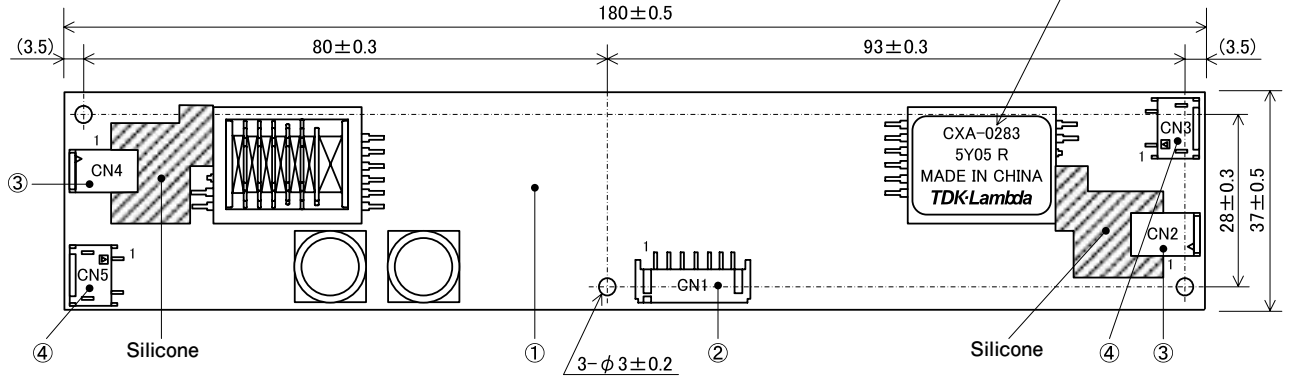
(\*4) These dimensions are indicated the maximum only H. Others are typical values.

### ■ Conformity to RoHs Directive

This means that, in conformity with EU Directive 2002/95/EC, lead, cadmium, mercury, hexavalent chromium, and specific bromine-based flame retardants, PBB and PBDE, have not been used, except for exempted applications.

# Outline Drawing

Example of label marking  
Product name, Lot No., Country of origin, TDK-Lambda logotype



※From high-voltage generator, please secure space distance more than 3mm in top and bottom right and left.

unit:mm

## Connector

Connector number	Part number	Model/Material	Quantity	Remarks	Recommended applicable connector
①	Printed circuit board PCB	Composite (CEM-3)	1	UL94V-0 t=1.0	—
②	Input connector CN1	S7B-PH-SM4-TB (LF) (SN)	1	JST Mfg. Co., Ltd.	PHR-7
③	Output connector CN2,4	SM02B-BHSS-1-TB (LF) (SN)	2	JST Mfg. Co., Ltd.	BHSR-02VS-1
④	Output connector CN3,5	SM02 (4.0) B-BHS-1-TB (LF) (SN)	2	JST Mfg. Co., Ltd.	BHR-02VS-1

## TERMINAL NUMBERS AND FUNCTIONS

### Input side CN1

Terminal number	Symbol	Rated voltage	Remarks
CN1-1	Vin	12±1.2V	Power input
CN1-2			
CN1-3	GND	0V	Ground
CN1-4			
CN1-5	Vbr	0 to 2.5V	Dimmer terminal
CN1-6	Vst (Output)	0V/5V	Alarm output Lump open : 5V
CN1-7	Vrmt	0/2.5V to Vin	Remote terminal 0 to 0.4V : OFF 2.5 to Vin V : ON

### Output side CN2

Terminal number	Symbol	Rated voltage	Remarks
CN2-1	V <sub>HIGH1</sub>	660Vrms	Output 1
CN2-2	V <sub>HIGH2</sub>	660Vrms	Output 2

### Output side CN3

Terminal number	Symbol	Rated voltage	Remarks
CN3-1	V <sub>Low1</sub>	(2V)	Output 1 return
CN3-2	V <sub>Low2</sub>	(2V)	Output 2 return

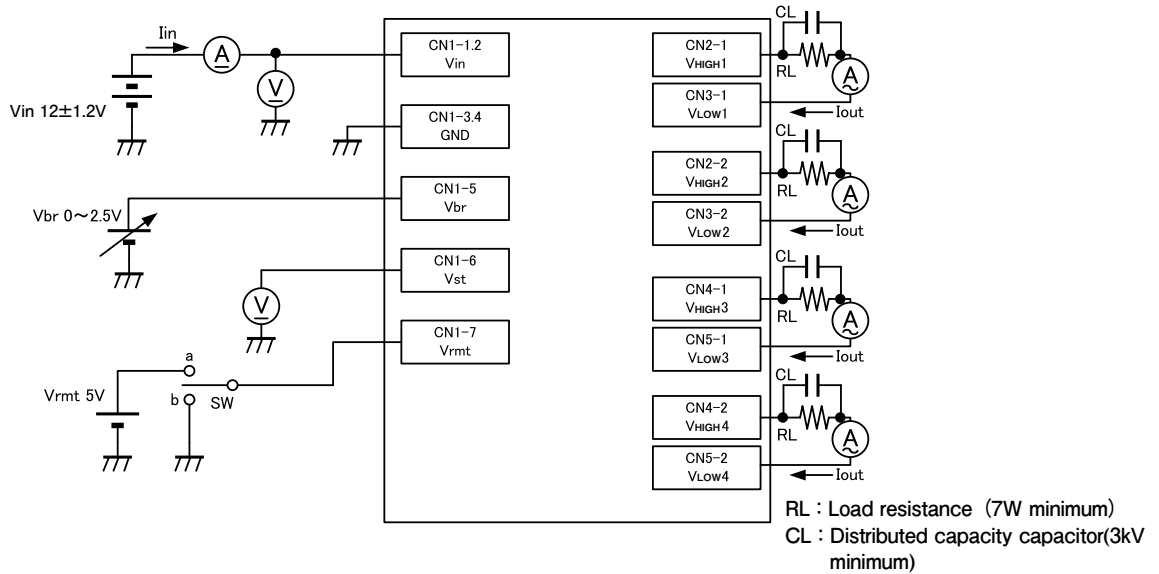
### Output side CN4

Terminal number	Symbol	Rated voltage	Remarks
CN4-1	V <sub>HIGH3</sub>	660Vrms	Output 3
CN4-2	V <sub>HIGH4</sub>	660Vrms	Output 4

### Output side CN5

Terminal number	Symbol	Rated voltage	Remarks
CN5-1	V <sub>Low3</sub>	(2V)	Output3 return
CN5-2	V <sub>Low4</sub>	(2V)	Output4 return

# Connections



Operate as follows by switching a SW.

SW		Unit operation
a	2.5-14.4V	Operation
b	0-0.4V	Operation stopped

### Protection circuit operation

Load condition	Alarm output (CN1-6) <sup>※1</sup>	Shut-down function <sup>※2</sup>
Normal condition	0.5V max.	Does not shut down
When 1 load (lamp) is run-out	5±0.5V	Does not shut down
When 2 loads (lamps) are run-out	5±0.5V	Does not shut down
When 3 loads (lamps) are run-out	5±0.5V	Does not shut down
When 4 loads (lamps) are run-out	5±0.5V	Shut down

※1: When more than one of the load was opened, output alarm signal of 5V.

※2: When all lamps were opened, this inverter has included protective function to stop operation in about 3 seconds.