

# Ethernet ESD Protection

Bourns<sup>®</sup> PortNote<sup>®</sup> solutions provide protection recommendations for typical port threats.

## Solution Products



CDDFN10-3324P

## Objective

Ethernet interfaces are 2 V digital signals operating on a 125 MHz clock. This solution provides ESD protection commonly required in indoor, short-cable applications where ESD is the primary threat.

## Solution

2 TVS Diode Arrays: CDDFN10-3324P

## Compliance

IEC 61000-4-2 Level 4 (8 kV / 15 kV)

## Alternate Recommendations

CDDFN10-2574N is available if a 2.5 V reverse working mode voltage is required.

Other PortNote<sup>®</sup> solutions:

- Ethernet - Power Over Ethernet (PoE) PSE Solution
- Ethernet - Quad Port Power over Ethernet PSE Unit Protection

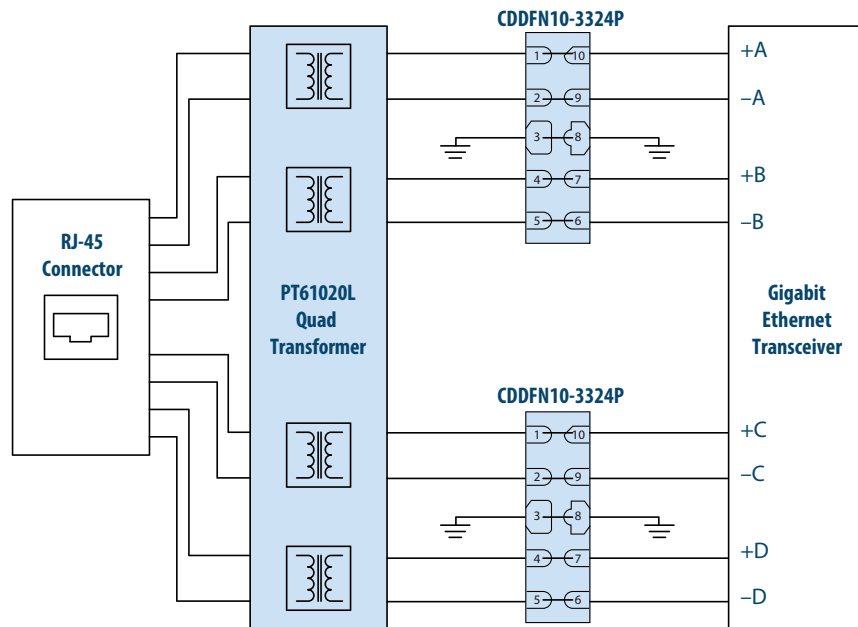
## Benefit

This solution provides ESD protection without impairing the Ethernet signal. The highlighted transformer supports IEEE 802.3at Power over Ethernet (PoE+).

## Companion Products



PT61020L  
Quad Transformer



The schematic above illustrates the application protection and does not constitute the complete circuit design. Customers should verify actual device performance in their specific applications.

Request Sample

To order samples, click on the "Request Sample" button.

[www.bourns.com](http://www.bourns.com)

**BOURNS<sup>®</sup>**

Americas: Tel +1-951-781-5500  
Email [americus@bourns.com](mailto:americus@bourns.com)

EMEA: Tel +36 88 520 390  
Email [eurocus@bourns.com](mailto:eurocus@bourns.com)

Asia-Pacific: Tel +886-2 256 241 17  
Email [asiacus@bourns.com](mailto:asiacus@bourns.com)