

# CXA-P1612-VJL

Dimming/Connector Type

## ■ Features

- 2-output
- Applicable panel size\*: 10 to 15 inches
- With brightness control function (Pulse Wide Modulation mode).
- In the high-voltage generator(a terminal and a pattern), an anti-dust measure by silicone application is taken.  
(Notice) Applicable panel size becomes a standard.

## ■ Applications



## CXA-P1612-VJL Specifications (Please refer to each specification before use)

### Electrical Characteristics

Item	Unit	Symbol	Specification			Condition					Remark
			min	typ	max	Vin(V)	Vrmt(V)	Vbr(V)	Ta(°C)	RL(kΩ)	
Output Current	mA	Iout (Maximum dimmer)	7.2	8.0	8.8	12±1.2	5	0	0 to +60	70	(*1)
		Iout (Maximum dimmer)	3.5	4.0	4.5	12±0.05	5	2	0 to +60	70	(*1)
Input Current	A	Iin	-	1.0	1.4	12±0.05	5	0	0 to +60	70	
Frequency	kHz	Freq1	50	55	60	12±0.05	5	0	0 to +60	70	
	Hz	Freq2(Duty frequency)	225	270	335	12±0.05	5	2	0 to +60	70	
Open Circuit Voltage	Vrms	Vopen	1500	1600	-	10.8min.	5	0	0 to +60	∞	Open load

(\*1) Please refer to the connection diagram for details of a dimming method.

### Other Specifications

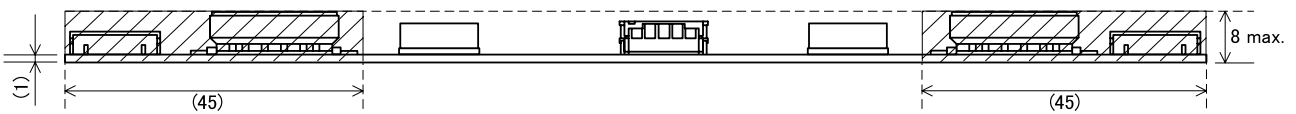
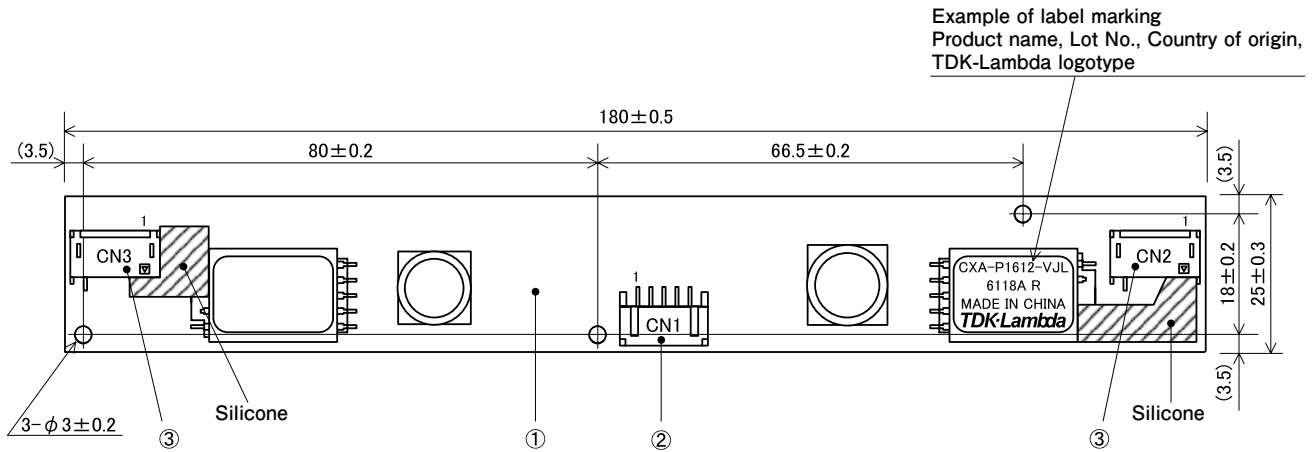
Dimming Function		Yes
Operating Temperature	°C	0 to +60
Storage Temperature	°C	-30 to +85
Operating Humidity Ratio	RH%	95Max
Safety Standard		-
Weight	g	29.6
Dimensions(WxDxH)	mm	180x25x8 (*2)
Fused Input		Yes
Remote ON / OFF		Yes
Alarm Signal Function		No
Shutdown Function		No
Silicone Coating on High Voltage Area		Yes

(\*2) These dimensions are indicated the maximum only H. Others are typical values.

## ■ Conformity to RoHs Directive

This means that, in conformity with EU Directive 2002/95/EC, lead, cadmium, mercury, hexavalent chromium, and specific bromine-based flame retardants, PBB and PBDE, have not been used, except for exempted applications.

# Outline Drawing



High-voltage generator ※

High-voltage generator ※

(The entire surface within a range of 45mm away from the end of the basein) (The entire surface within a range of 45mm away from the end of the basein)

※From high-voltage generator, please secure space distance more than 3mm in top and bottom right and left.

unit:mm

## Connector

Connector number	Part number	Model/Material	Quantity	Remarks	Recommended applicable connector
①	Printed circuit board PCB	Composite (CEM-3)	1	UL94V-0 t=1.0	—
②	Input connector CN1	S5B-PH-SM4-TB (LF)(SN)	1	JST Mfg. Co., Ltd.	PHR-5
③	Output connector CN2, CN3	SM02 (8.0) B-BHS-1-TB (LF)(SN)	2	JST Mfg. Co., Ltd.	BHR-03VS-1

## Terminal Numbers And Functions

### Input side CN1

Terminal number	Symbol	Rated voltage	Remarks
CN1-1	V <sub>in</sub>	12±1.2V	Power input
CN1-2	GND	0V	Ground
CN1-3	V <sub>br</sub>	0 to 2V	Dimmer terminal
CN1-4	N.C.	—	—
CN1-5	V <sub>rmt</sub>	0/2.5V to V <sub>in</sub>	Remote terminal 0 to 0.4V : OFF 2.5 to V <sub>in</sub> V : ON

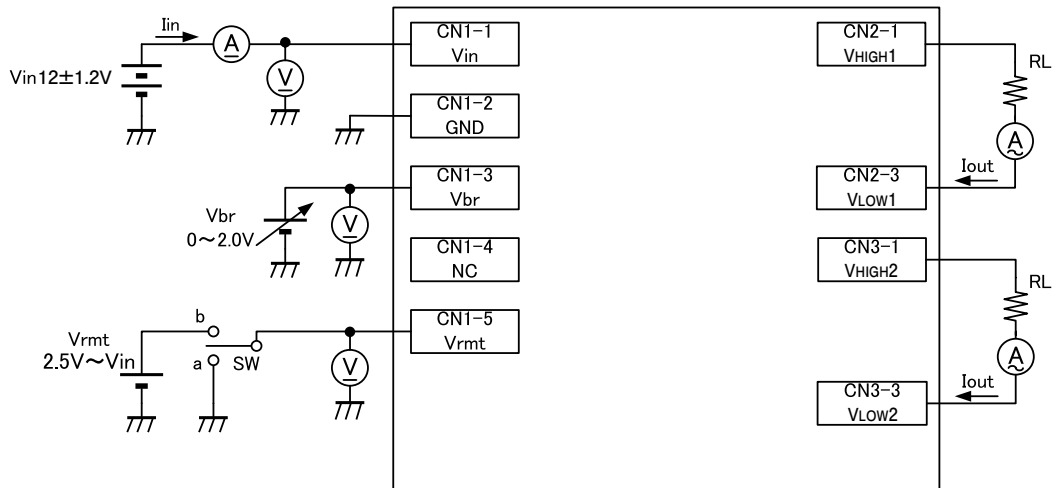
### Output side CN2

Terminal number	Symbol	Rated voltage	Remarks
CN2-1	V <sub>HIGH1</sub>	560Vrms	Output 1
CN2-2	N.C.	—	N.C.
CN2-3	V <sub>Low1</sub>	(2V)	Output 1 return

### Output side CN3

Terminal number	Symbol	Rated voltage	Remarks
CN3-1	V <sub>HIGH2</sub>	560Vrms	Output 2
CN3-2	N.C.	—	N.C.
CN3-3	V <sub>Low2</sub>	(2V)	Output 2 return

# Connections



RL : Load resistance (7W minimum)

Operate as follows by switching a SW.

SW		Unit operation
a	0-0.8V	Operation stopped
b	2.5-14.4V	Operation