

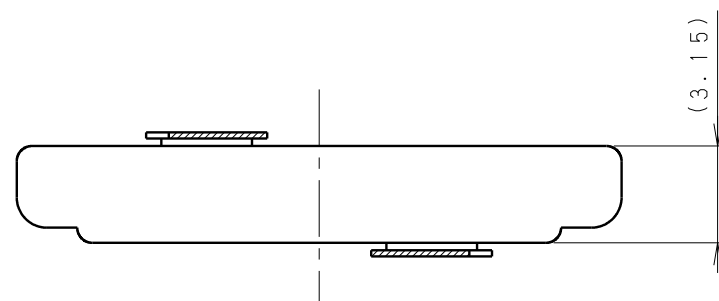
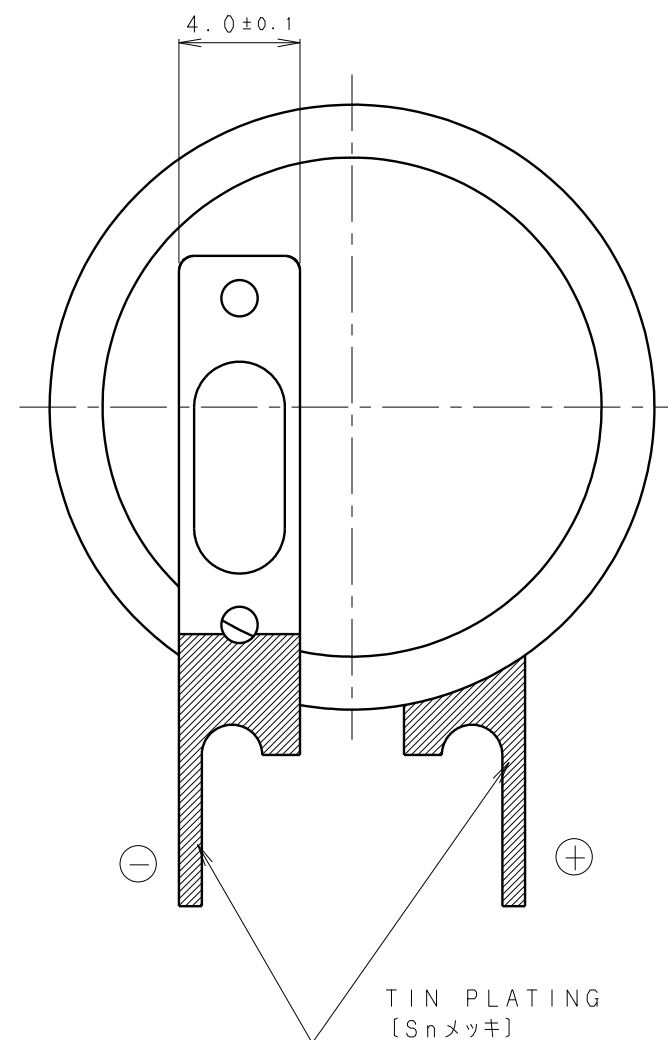
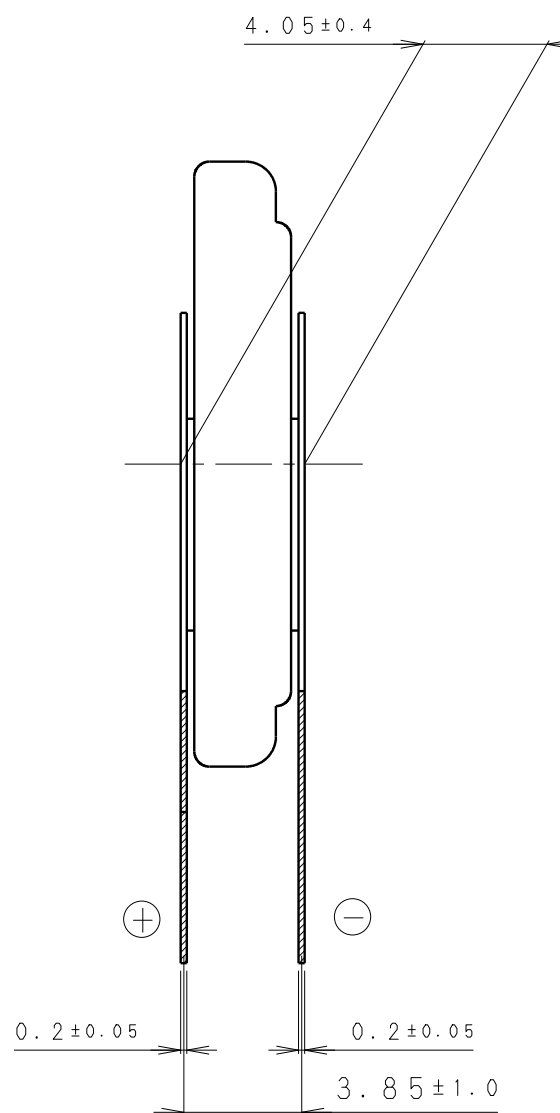
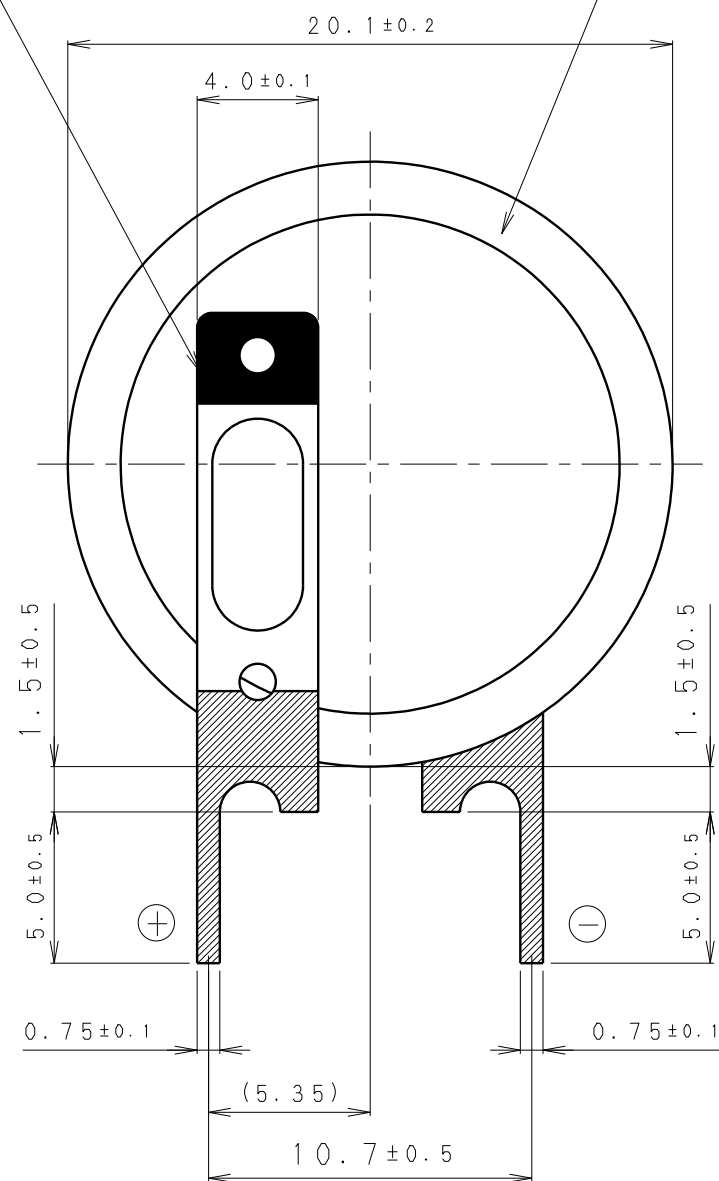
NOTE [注記]

- TAB PULLING STRENGTH OVER 19.6N [端子溶接強度: 19.6N以上]
- TAB MATERIAL: STAINLESS STEEL WITH TIN PLATING [端子材料: 基材 ステンレス/表面 部分Snメッキ]
- (): REFERENCE DIMENSION AND ANGLE [() 寸法、角度は参考値]

| | | | |
|-------------|--------------|-------|---------|
| PRODUCT NO. | CR-2032/VC1N | SCALE | |
| | | 4:1 | |
| DRAWING NO. | PMVB1Z | REV. | UNIT:mm |
| | | 0 | |

"+" TERMINAL INDICATION (RED)
 [(+) 極性表示 (赤色)]

INSULATOR (YELLOW)
 [絶縁チューブ (黄色)]

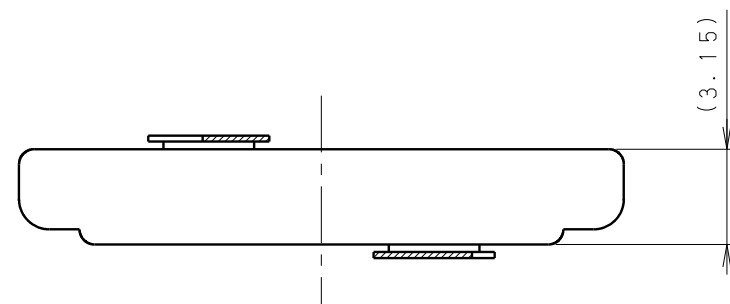
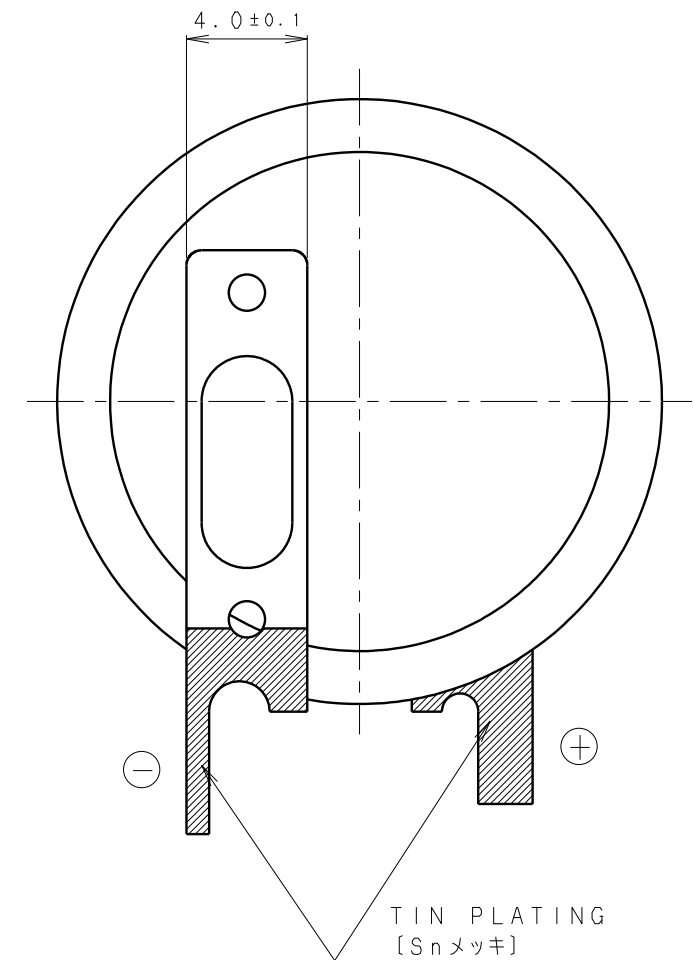
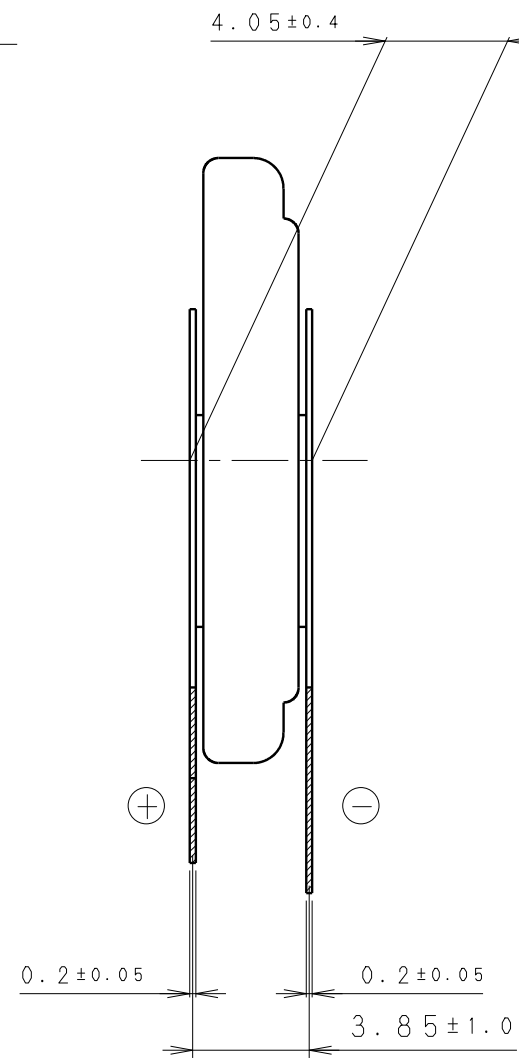
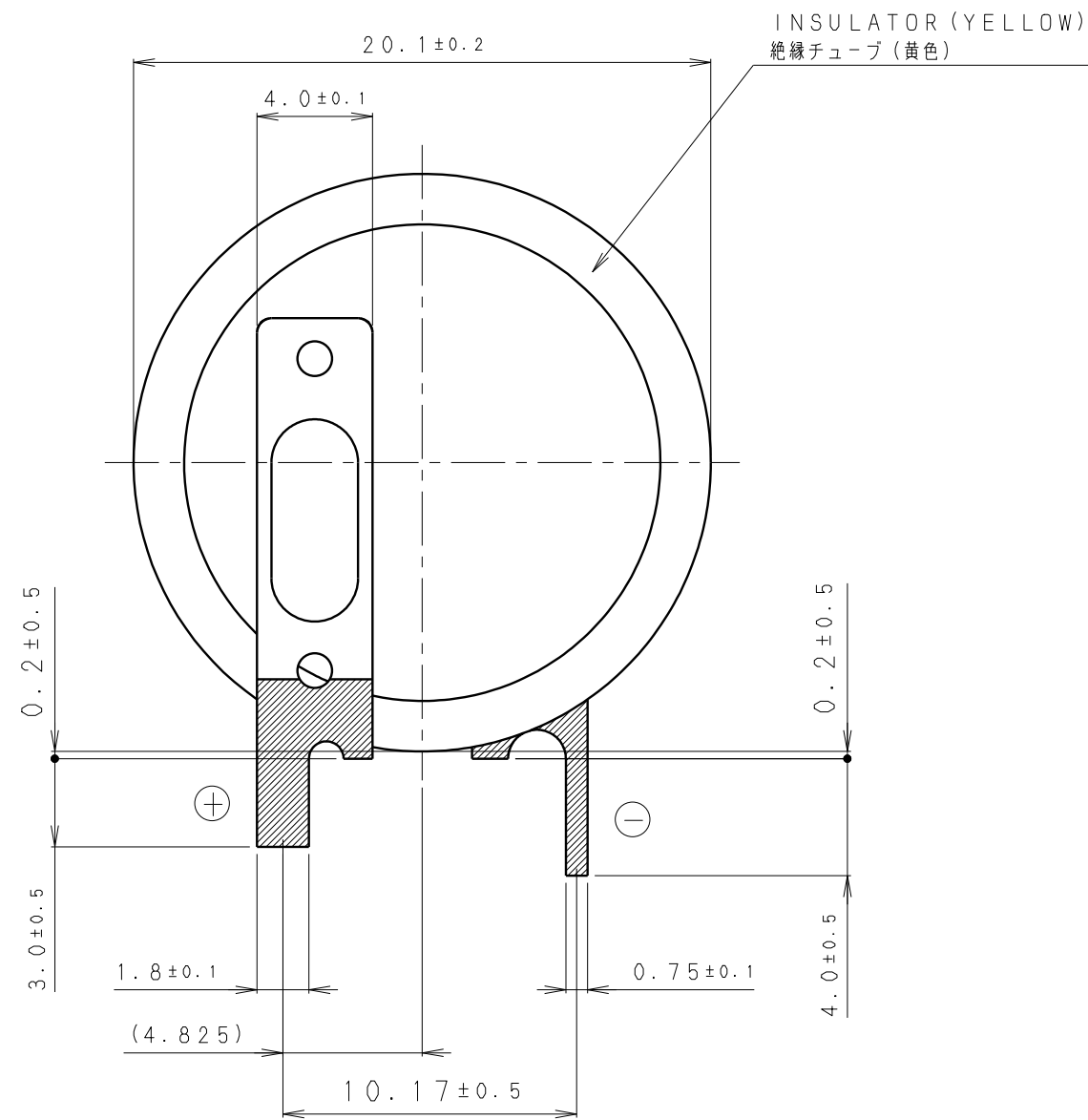


TIN PLATING
 [Snメッキ]

NOTE [注記]

1. TAB PULLING STRENGTH OVER 19.6N [端子溶接強度: 19.6N以上]
2. TAB MATERIAL: STAINLESS STEEL WITH TIN PLATING [端子材料: 基材 ステンレス/表面 部分Snメッキ]
3. (): REFERENCE DIMENSION AND ANGLE [() 寸法、角度は参考値]

| | | | |
|-------------|-------------|-------|----------|
| PRODUCT NO. | CR-2032/VCN | SCALE | 4:1 |
| DRAWING NO. | PMVA1Z | REV. | 0 |
| | | | UNIT: mm |



NOTE [注記]

- TAB PULLING STRENGTH OVER 19.6N [端子溶接強度: 19.6N以上]
- TAB MATERIAL: STAINLESS STEEL WITH TIN PLATING [端子材料: 基材 ステンレス/表面 部分Snメッキ]
- (): REFERENCE DIMENSION AND ANGLE [() 寸法、角度は参考値]

| | | | |
|-------------|--------------|-------|---------|
| PRODUCT NO. | CR-2032/VS1N | SCALE | 4:1 |
| DRAWING NO. | PMVC1Z | REV. | 0 |
| | | | UNIT:mm |