

EZ-BLE™ PRoC™ EVALUATION BOARD

CYBLE-222005-EVAL



The EZ-BLE™ PRoC™ Evaluation Board (CYBLE-222005-EVAL) enables you to evaluate and develop applications on the EZ-BLE PRoC Module (CYBLE-222005-00). The EZ-BLE PRoC Module is a fully-integrated, fully-certified, 10 mm x 10 mm x 1.8 mm, programmable, Bluetooth® Smart module designed to reduce your time-to-market.

For more information visit:

www.cypress.com/EZ-BLEModule - The EZ-BLE Module home page.

www.cypress.com/EZ-BLEEval - The EZ-BLE PRoC Evaluation Board kit page.

www.cypress.com/AN96841 - The getting started guide.

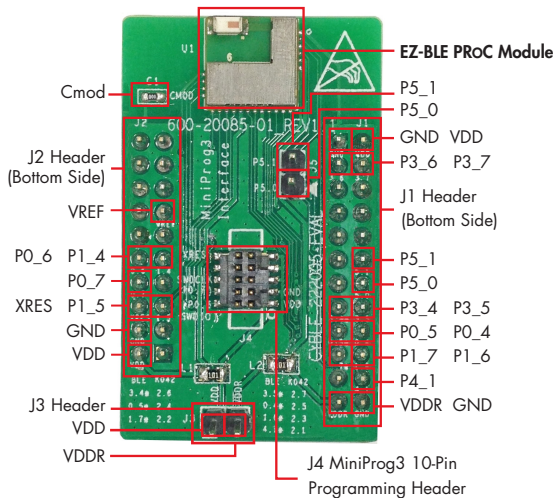


Fig 1: CYBLE-222005-EVAL Pinout Description

Note: To use the CYBLE-222005-EVAL you must separately purchase either the CY8CKIT-002 MINIPROG3 or the CY8CKIT-042-BLE BLE PIONEER KIT.

EZ-BLE™ PROc™ EVALUATION BOARD

1: Connect the CYBLE-222005-EVAL to the CY8CKIT-002 (MiniProg3)

Connect a jumper on the J3 header

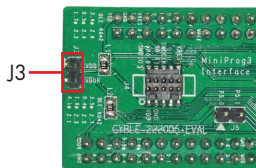


Fig 2: J3 Header

Connect the MiniProg3 to the J4 10-pin header

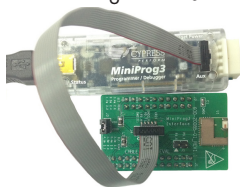


Fig 3: Programming/Debugging with MiniProg3

OR

Plug the CYBLE-222005-EVAL on the CY8CKIT-042-BLE baseboard.

Note: Jumper on CYBLE-222005-EVAL's J3 header can be connected or disconnected.



Fig 4: Programming and debugging with CY8CKIT-042-BLE BLE Pioneer Kit Baseboard

Pin Mapping between CY8CKIT-042-BLE (Base) and CYBLE-222005-EVAL (Eval)

| (Base) | (Eval) | (Base) | (Eval) | (Base) | (Eval) | (Base) | (Eval) |
|-------------|--------|--------|--------|--------|--------|--------|--------|
| GND | GND | P2_4 | P0_5 | P2_3 | P1_6 | P3_7 | P3_7 |
| VDDD, VDDDA | VDD | P0_6 | P0_6 | P2_2 | P1_7 | P2_1 | P4_1 |
| VDDR | VDDR | P0_7 | P0_7 | P2_6 | P3_4 | P5_0 | P5_0 |
| XRES | XRES | P1_4 | P1_4 | P2_7 | P3_5 | P5_1 | P5_1 |
| P2_5 | P0_4 | P1_5 | P1_5 | P3_6 | P3_6 | VREF | VREF |

2: Create a project using the CYBLE-222005-00 MPN and program/debug using PSoC® Creator™ 3.3

The EZ-BLE PROc Module is qualified for the Bluetooth 4.1 specification and is certified for the 2.4 GHz unlicensed frequency range in USA (FCC), Canada (IC), Europe (CE), Japan (TELEC) and Korea (KC).

Visit www.cypress.com/support for technical support

© 2015 - 2018 Cypress Semiconductor Corporation. All rights reserved. All trademarks or registered trademarks referenced herein are the properties of their respective owners. 002-03252 Rev. *C

