

3.3 V, 125-MHz Multi-Output Zero Delay Buffer

Features

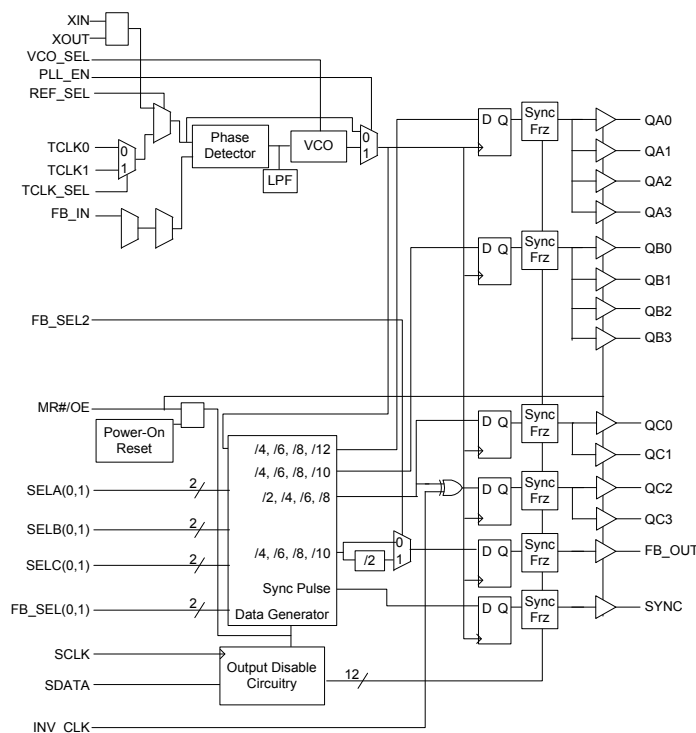
- Output frequency up to 125 MHz
- 12 Clock outputs: frequency configurable
- 350 ps max. output-to-output skew
- Configurable output disable
- Two reference clock inputs for dynamic toggling
- Oscillator or crystal reference input
- Spread-spectrum-compatible
- Glitch-free output clocks transitioning
- 3.3 V power supply
- Pin-compatible with MPC972
- Industrial temperature range: -40 °C to +85 °C
- 52-pin thin quad flat package (TQFP) package

Table 1. Frequency Table ^[1]

VC0_SEL	FB_SEL2	FB_SEL1	FB_SEL0	F _{VC0}
0	0	0	0	8x
0	0	0	1	12x
0	0	1	0	16x
0	0	1	1	20x
0	1	0	0	16x
0	1	0	1	24x
0	1	1	0	32x
0	1	1	1	40x
1	0	0	0	4x
1	0	0	1	6x
1	0	1	0	8x
1	0	1	1	10x
1	1	0	0	8x
1	1	0	1	12x
1	1	1	0	16x
1	1	1	1	20x

For a complete list of related documentation, [click here](#).

Block Diagram



Note

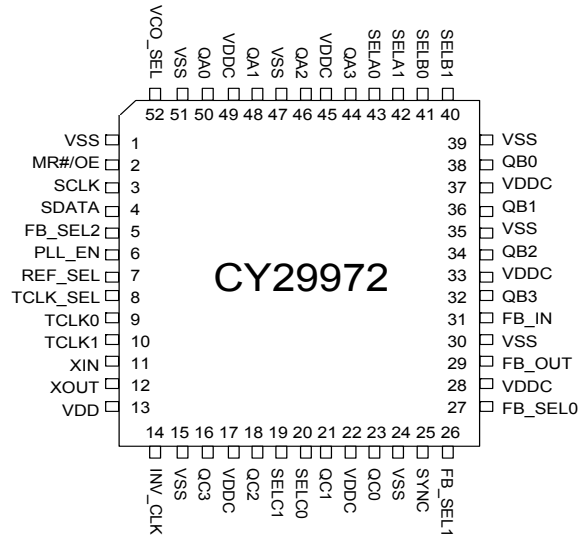
1. x = the reference input frequency, 200 MHz < F_{VC0} < 480 MHz.

Contents

Pin Configuration	3	Acronyms	12
Pin Description	4	Document Conventions	12
Description	5	Units of Measure	12
Glitch-Free Output Frequency Transitions	5	Document History Page	13
Sync Output	6	Sales, Solutions, and Legal Information	14
Power Management	7	Worldwide Sales and Design Support	14
Absolute Maximum Ratings	8	Products	14
DC Parameters	8	PSoC® Solutions	14
AC Parameters	9	Cypress Developer Community	14
Ordering Information	10	Technical Support	14
Ordering Code Definitions	10		
Package Diagram	11		

Pin Configuration

Figure 1. 52-pin TQFP pinout



Pin Description

Pin ^[2]	Name	PWR	I/O	Type	Description
11	X _{IN}	–	I	–	Oscillator input. Connect to a crystal.
12	X _{OUT}	–	O	–	Oscillator output. Connect to a crystal.
9	T _{CLK0}	–	I	PU	External reference/test clock input.
10	T _{CLK1}	–	I	PU	External reference/test clock input.
44, 46, 48, 50	QA(3:0)	V _{DDC}	O	–	Clock outputs. See Table 2 on page 5 for frequency selections.
32, 34, 36, 38	QB(3:0)	V _{DDC}	O	–	Clock outputs. See Table 2 on page 5 for frequency selections.
16, 18, 21, 23	QC(3:0)	V _{DDC}	O	–	Clock outputs. See Table 2 on page 5 for frequency selections.
29	FB_OUT	V _{DDC}	O	–	Feedback clock output. Connect to FB_IN for normal operation. The divider ratio for this output is set by FB_SEL(0:2). See Table 1 on page 1 . A bypass delay capacitor at this output will control Input Reference/ Output Banks phase relationships.
25	SYNC	V _{DDC}	O	–	Synchronous pulse output. This output is used for system synchronization. The rising edge of the output pulse is in sync with both the rising edges of QA(0:3) and QC(0:3) output clocks regardless of the divider ratios selected.
42, 43	SELA(1,0)	–	I	PU	Frequency select inputs. These inputs select the divider ratio at QA(0:3) outputs. See Table 2 on page 5 .
40, 41	SELB(1,0)	–	I	PU	Frequency select inputs. These inputs select the divider ratio at QB(0:3) outputs. See Table 2 on page 5 .
19, 20	SELC(1,0)	–	I	PU	Frequency select inputs. These inputs select the divider ratio at QC(0:3) outputs. See Table 2 on page 5 .
5, 26, 27	FB_SEL(2:0)	–	I	PU	Feedback select inputs. These inputs select the divide ratio at FB_OUT output. See Table 1 on page 1 .
52	VCO_SEL	–	I	PU	VCO divider select input. When set LOW, the VCO output is divided by 2. When set HIGH, the divider is bypassed. See Table 1 on page 1 .
31	FB_IN	–	I	PU	Feedback clock input. Connect to FB_OUT for accessing the PLL.
6	PLL_EN	–	I	PU	PLL enable input. When asserted HIGH, PLL is enabled; when LOW, PLL is bypassed.
7	REF_SEL	–	I	PU	Reference select input. When HIGH, the crystal oscillator is selected; when LOW, TCLK (0,1) is the reference clock.
8	TCLK_SEL	–	I	PU	TCLK select input. When LOW, TCLK0 is selected and when HIGH TCLK1 is selected.
2	MR#/OE	–	I	PU	Master reset/output enable input. When asserted LOW, resets all of the internal flip-flops and also disables all of the outputs. When pulled high, releases the internal flip-flops from reset and enables all of the outputs.
14	INV_CLK	–	I	PU	Inverted clock input. When set HIGH, QC(2,3) outputs are inverted. When set LOW, the inverter is bypassed.
3	S _{CLK}	–	I	PU	Serial clock input. Clocks data at S _{DATA} into the internal register.
4	S _{DATA}	–	I	PU	Serial data input. Input data is clocked to the internal register to enable/disable individual outputs. This provides flexibility in power management.
17, 22, 28, 33, 37, 45, 49	V _{DDC}	–	–	–	3.3 V power supply for output clock buffers.
13	V _{DD}	–	–	–	3.3 V power supply for PLL.
1, 15, 24, 30, 35, 39, 47, 51	V _{SS}	–	–	–	Common ground.

Note

- A bypass capacitor (0.1 mF) should be placed as close as possible to each positive power (< 0.2"). If these bypass capacitors are not close to the pins, their high-frequency filtering characteristics will be cancelled by the lead inductance of the traces.

Description

The CY29972 has an integrated PLL that provides low skew and low jitter clock outputs for high-performance microprocessors. Three independent banks of four outputs and an independent PLL feedback output (FB_OUT) provide exceptional flexibility for possible output configurations. The PLL is ensured stable operation given that the V_{CO} is configured to run between 200 MHz and 480 MHz. This allows a wide range of output frequencies up to 125 MHz.

The phase detector compares the input reference clock to the external feedback input. For normal operation, the external feedback input (FB_IN) is connected to the feedback output (FB_OUT). The internal V_{CO} is running at multiples of the input reference clock set by FB_SEL(0:2) and VCO_SEL select inputs (refer to Frequency Table). The V_{CO} frequency is then divided to provide the required output frequencies. These dividers are set by SELA(0,1), SELB(0,1), SELC(0,1) select inputs (see the following Table). For situations where the V_{CO} needs to run at relatively low frequencies and hence might not be stable, assert VCO_SEL low to divide the VCO frequency by 2. This maintains the desired output relationships but provides an enhanced PLL lock range.

The CY29972 is also capable of providing inverted output clocks. When INV_CLK is asserted HIGH, QC2 and QC3 output clocks are inverted. These clocks could be used as feedback outputs to the CY29972 or a second PLL device to generate early or late clocks for a specific design. This inversion does not affect the output to output skew.

Glitch-Free Output Frequency Transitions

Customarily, when output buffers have their internal counters changed “on the fly,” their output clock periods will:

1. contain short or “runt” clock periods. These are clock cycles in which the cycle(s) are shorter in period than either the old or new frequencies to which the cycles are being transitioned.
2. contain stretched clock periods. These are clock cycles in which the cycle(s) are longer in period than either the old or new frequencies to which the cycles are being transitioned.

This device specifically includes logic to guarantee that runt and stretched clock pulses do not occur if the device logic levels of any or all of the following pins changed “on the fly” while it is operating: SELA, SELB, SELC, and VCO_SEL.

Table 2. Frequency Selection Table

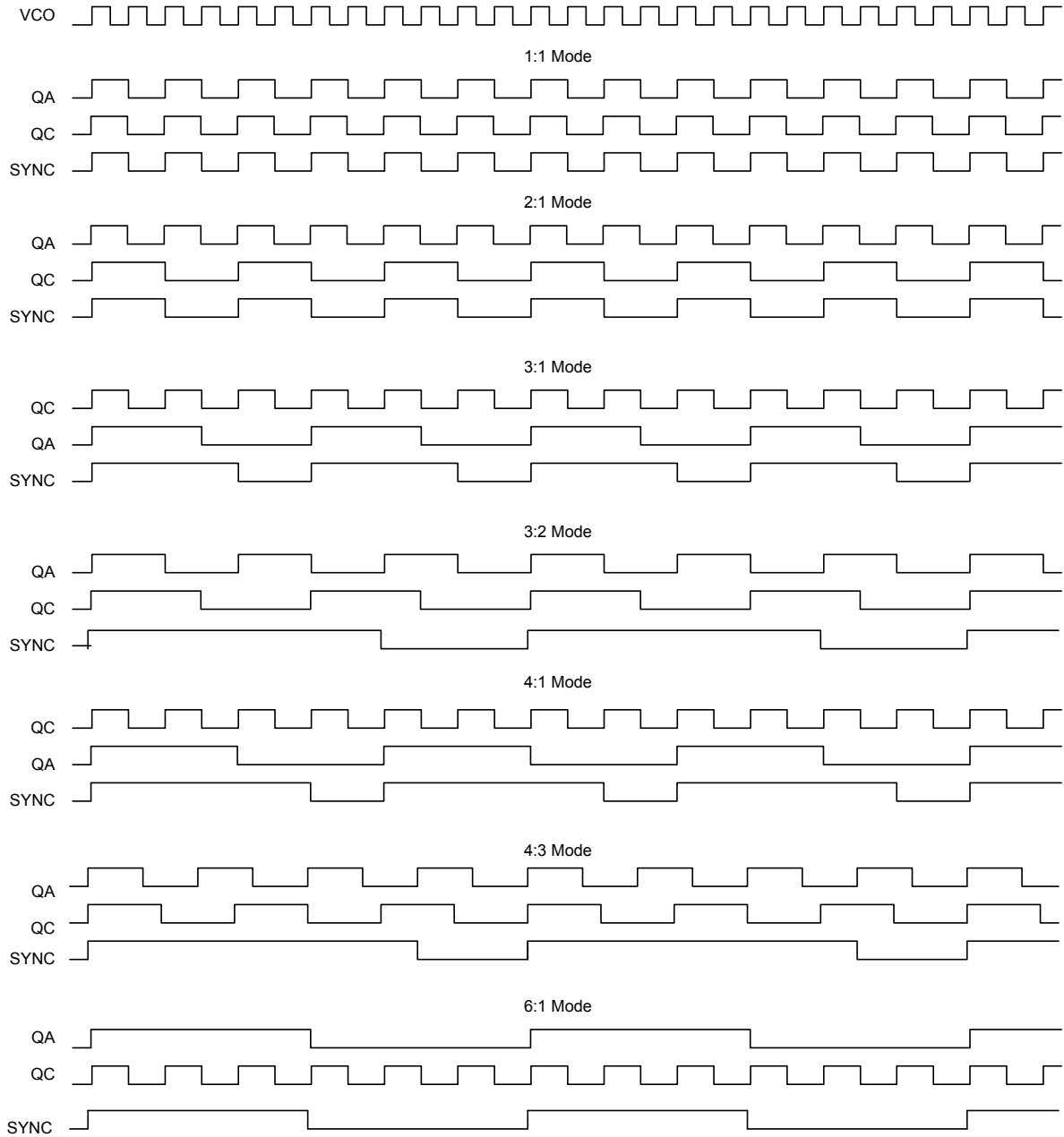
VCO_SEL	SELA1	SELA0	QA	SELB1	SELB0	QB	SELC1	SELC0	QC
0	0	0	VCO/8	0	0	VCO/8	0	0	VCO/4
0	0	1	VCO/12	0	1	VCO/12	0	1	VCO/8
0	1	0	VCO/16	1	0	VCO/16	1	0	VCO/12
0	1	1	VCO/24	1	1	VCO/20	1	1	VCO/16
1	0	0	VCO/4	0	0	VCO/4	0	0	VCO/2
1	0	1	VCO/6	0	1	VCO/6	0	1	VCO/4
1	1	0	VCO/8	1	0	VCO/8	1	0	VCO/6
1	1	1	VCO/12	1	1	VCO/10	1	1	VCO/8

Sync Output

In situations where output frequency relationships are not integer multiples of each other, the SYNC output provides a signal for system synchronization. The CY29972 monitors the relationship between the QA and QC output clocks. It provides a LOW-going pulse, one period in duration, one period prior to the coincident rising edges of the QA and QC outputs. The duration and

placement of the pulse depend on the higher of the QA and QC output frequencies. The following timing diagram illustrates various waveforms for the SYNC output. Note that the SYNC output is defined for all possible combinations of QA and QC outputs, even though under some relationships the lower frequency clock could be used as a synchronizing signal.

Figure 2. Timing Diagram



Absolute Maximum Ratings

Exceeding maximum ratings ^[5] may shorten the useful life of the device. User guidelines are not tested.

Maximum input voltage relative to V_{SS}	$V_{SS} - 0.3$ V
Maximum input voltage relative to V_{DD}	$V_{DD} + 0.3$ V
Storage temperature	-65 °C to +150 °C
Operating temperature	-40 °C to +85 °C
Maximum ESD protection	2 kV

Maximum power supply 5.5 V

Maximum input current ± 20 mA

This device contains circuitry to protect the inputs against damage due to high static voltages or electric field; however, precautions should be taken to avoid application of any voltage higher than the maximum rated voltages to this circuit. For proper operation, V_{IN} and V_{OUT} should be constrained to the range:

$V_{SS} < (V_{IN} \text{ or } V_{OUT}) < V_{DD}$. Unused inputs must always be tied to an appropriate logic voltage level (either V_{SS} or V_{DD}).

DC Parameters

$V_{DD} = 2.9$ V to 3.6 V, $V_{DDC} = 3.3$ V $\pm 10\%$, $T_A = -40$ °C to +85 °C

Parameter	Description	Test Conditions	Min	Typ	Max	Unit
V_{IL}	Input Low voltage		V_{SS}	–	0.8	V
V_{IH}	Input High voltage		2.0	–	V_{DD}	V
I_{IL}	Input Low current ^[6]		–	–	-120	μ A
I_{IH}	Input High current		–	–	10	μ A
V_{OL}	Output Low voltage ^[7]	$I_{OL} = 20$ mA	–	–	0.5	V
V_{OH}	Output High voltage ^[7]	$I_{OH} = -20$ mA	2.4	–	–	V
I_{DDQ}	Quiescent supply current		–	10	15	mA
I_{DDA}	PLL supply current	V_{DD} only	–	15	20	mA
I_{DD}	Dynamic supply current	QA and QB at 60 MHz, QC at 120 MHz, $C_L = 30$ pF	–	225	–	mA
		QA and QB at 25 MHz, QC at 50 MHz, $C_L = 30$ pF	–	125	–	
C_{IN}	Input pin capacitance		–	4	–	pF

Notes

- Multiple Supplies: The voltage on any input or I/O pin cannot exceed the power pin during power-up. Power supply sequencing is not required.
- Inputs have pull-up/pull-down resistors that effect input current.
- Driving series or parallel terminated 50 Ω transmission lines.

AC Parameters

 $V_{DD} = 2.9\text{ V to }3.6\text{ V}$, $V_{DDC} = 3.3\text{ V} \pm 10\%$, $T_A = -40\text{ }^\circ\text{C to }+85\text{ }^\circ\text{C}$

Parameter [8]	Description	Conditions	Min	Typ	Max	Unit	
T_R / T_F	T_{CLK} input rise/fall		–	–	3.0	ns	
F_{REF}	Reference input frequency		Note 9	–	Note 9	MHz	
F_{XTAL}	Crystal Oscillator Frequency	See Table 3 on page 7	10	–	25	MHz	
F_{REFDC}	Reference input duty cycle		25	–	75	%	
F_{VCO}	PLL VCO lock range		200	–	480	MHz	
t_{LOCK}	Maximum PLL lock time		–	–	10	ms	
t_R / t_F	Output clocks rise / fall time [10]	0.8 V to 2.0 V	0.15	–	1.2	ns	
F_{OUT}	Maximum Output Frequency	Q (/2)	–	–	125	MHz	
		Q (/4)	–	–	120		
		Q (/6)	–	–	80		
		Q (/8)	–	–	60		
F_{OUTDC}	Output duty cycle [10]		$T_{CYCLE}/2 - 750$	–	$T_{CYCLE}/2 + 750$	ps	
t_{PZL}, t_{PZH}	Output enable time [10] (all outputs)		2	–	10	ns	
t_{PLZ}, t_{PHZ}	Output disable time [10] (all outputs)		2	–	8	ns	
T_{CCJ}	Cycle to cycle jitter [10] (peak to peak)		–	± 100	–	ps	
T_{SKEW}	Any output to any output skew [10, 11]		–	250	350	ps	
T_{PD}	Propagation delay from TCLK0, TCLK1 to Q. PLL_EN = High [10, 11, 12]	T_{CLK0}	QFB = (/8) Measured at $V_{DD}/2$	–270	130	530	ps
		T_{CLK1}		–330	70	470	

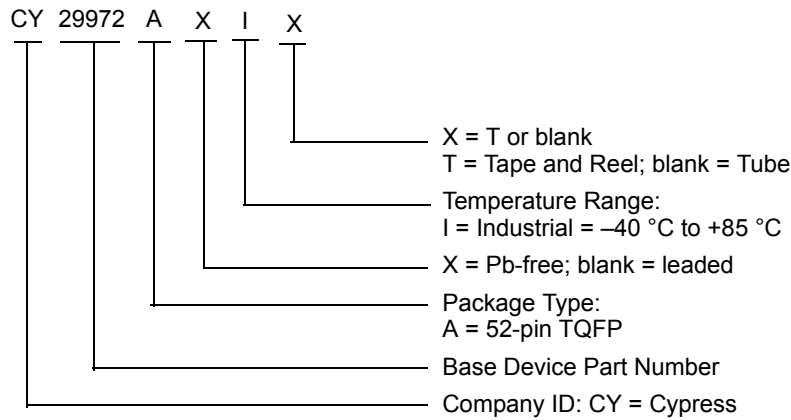
Notes

8. Parameters are guaranteed by design and characterization. Not 100% tested in production.
9. Maximum and minimum input reference is limited by VCO lock range.
10. Outputs loaded with 30 pF each.
11. 50 Ω transmission line terminated into $V_{DD}/2$ or GND.
12. Tpd is specified for a 50-MHz input reference. Tpd does not include jitter.

Ordering Information

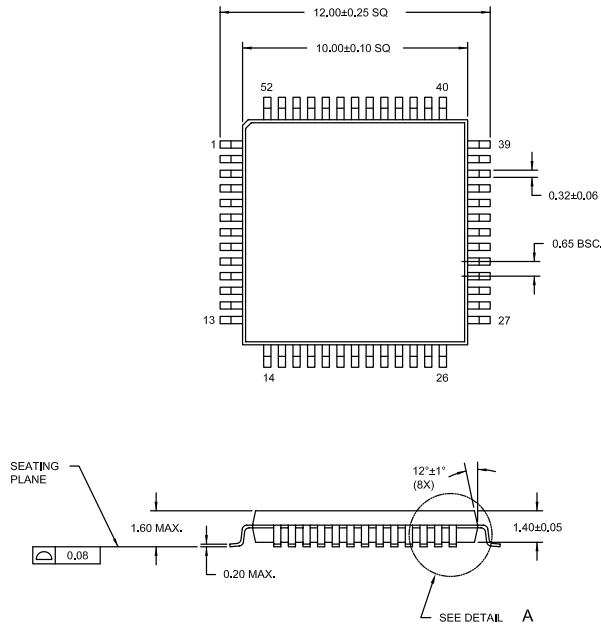
Part Number	Package Type	Production Flow
Pb-free		
CY29972AXI	52-pin TQFP	Industrial, -40 °C to +85 °C
CY29972AXIT	52-pin TQFP – Tape and Reel	Industrial, -40 °C to +85 °C

Ordering Code Definitions

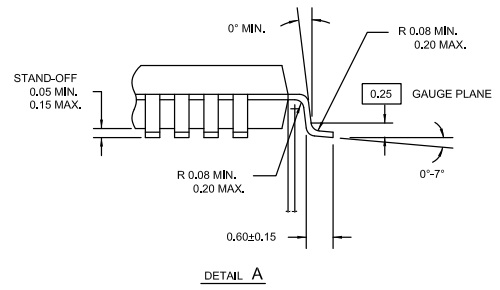


Package Diagram

Figure 3. 52-pin TQFP (10 × 10 × 1.4 mm) A52SA Package Outline, 51-85131



DIMENSIONS ARE IN MILLIMETERS
Package Weight - Refer to PMDD spec.



51-85131 °C

Acronyms

Acronym	Description
I/O	Input/Output
PLL	Phase Locked Loop
TQFP	Thin Quad Flat Pack

Document Conventions

Units of Measure

Symbol	Units of Measure
°C	degree Celsius
MHz	megahertz
μA	microampere
mA	milliampere
ms	millisecond
ns	nanosecond
pF	picofarad
ps	picosecond
V	volt

Document History Page

Document Title: CY29972, 3.3 V, 125-MHz Multi-Output Zero Delay Buffer				
Document Number: 38-07290				
Rev.	ECN No.	Issue Date	Orig. of Change	Description of Change
**	111101	02/07/02	BRK	New data sheet.
*A	122882	12/22/02	RBI	Added power up requirements to Maximum Ratings
*B	387764	See ECN	RGL	Changed the package drawing and dimension to Cypress Standard Added Pb-free devices
*C	404340	See ECN	RGL	Minor Change: corrected the package diagram
*D	3270575	06/03/2011	BASH	Updated package diagram 51-85131. Added Acronyms and Units of Measure Table Updated as per template
*E	3402187	10/11/2011	BASH	Updated Ordering Information (Removed prune part numbers CY29972AI and CY29972AIT). Updated Package Diagram .
*F	4199471	12/16/2013	CINM	Updated DC Parameters : Updated Note 7 (Removed "(or 50 Ω to V _{DD} /2)" from the note). Updated AC Parameters : Updated conditions of F _{OUT} parameter: Changed "Q (²)" to "Q (/2)". Changed "Q (³4)" to "Q (/4)". Changed "Q (³6)" to "Q (/6)". Changed "Q (³8)" to "Q (/8)". Updated description of T _{PD} parameter (Added "from TCLK0, TCLK1 to Q. PLL_EN = High"). Referred Note 10 in description of T _{PD} parameter. Updated Note 11 (Changed "into V _{DD} /2" to "into V _{DD} /2 or GND"). Updated conditions of T _{PD} parameter: Changed "QFB = (³8)" to "QFB = (/8)" and made applicable to both T _{CLK0} and T _{CLK1} . Also added "Measured at V _{DD} /2". Updated Package Diagram : spec 51-85131 – Changed revision from *B to *C. Updated in new template.
*G	4399615	06/05/2014	AJU	No technical updates. Completing Sunset Review.
*H	4586288	12/03/2014	AJU	Added related documentation hyperlink in page 1.

Sales, Solutions, and Legal Information

Worldwide Sales and Design Support

Cypress maintains a worldwide network of offices, solution centers, manufacturer's representatives, and distributors. To find the office closest to you, visit us at [Cypress Locations](#).

Products

Automotive	cypress.com/go/automotive
Clocks & Buffers	cypress.com/go/clocks
Interface	cypress.com/go/interface
Lighting & Power Control	cypress.com/go/powerpsoc cypress.com/go/plc
Memory	cypress.com/go/memory
PSoC	cypress.com/go/psoc
Touch Sensing	cypress.com/go/touch
USB Controllers	cypress.com/go/USB
Wireless/RF	cypress.com/go/wireless

PSoC[®] Solutions

[psoc.cypress.com/solutions](#)
[PSoC 1](#) | [PSoC 3](#) | [PSoC 4](#) | [PSoC 5LP](#)

Cypress Developer Community

[Community](#) | [Forums](#) | [Blogs](#) | [Video](#) | [Training](#)

Technical Support

[cypress.com/go/support](#)

© Cypress Semiconductor Corporation, 2005-2014. The information contained herein is subject to change without notice. Cypress Semiconductor Corporation assumes no responsibility for the use of any circuitry other than circuitry embodied in a Cypress product. Nor does it convey or imply any license under patent or other rights. Cypress products are not warranted nor intended to be used for medical, life support, life saving, critical control or safety applications, unless pursuant to an express written agreement with Cypress. Furthermore, Cypress does not authorize its products for use as critical components in life-support systems where a malfunction or failure may reasonably be expected to result in significant injury to the user. The inclusion of Cypress products in life-support systems application implies that the manufacturer assumes all risk of such use and in doing so indemnifies Cypress against all charges.

Any Source Code (software and/or firmware) is owned by Cypress Semiconductor Corporation (Cypress) and is protected by and subject to worldwide patent protection (United States and foreign), United States copyright laws and international treaty provisions. Cypress hereby grants to licensee a personal, non-exclusive, non-transferable license to copy, use, modify, create derivative works of, and compile the Cypress Source Code and derivative works for the sole purpose of creating custom software and or firmware in support of licensee product to be used only in conjunction with a Cypress integrated circuit as specified in the applicable agreement. Any reproduction, modification, translation, compilation, or representation of this Source Code except as specified above is prohibited without the express written permission of Cypress.

Disclaimer: CYPRESS MAKES NO WARRANTY OF ANY KIND, EXPRESS OR IMPLIED, WITH REGARD TO THIS MATERIAL, INCLUDING, BUT NOT LIMITED TO, THE IMPLIED WARRANTIES OF MERCHANTABILITY AND FITNESS FOR A PARTICULAR PURPOSE. Cypress reserves the right to make changes without further notice to the materials described herein. Cypress does not assume any liability arising out of the application or use of any product or circuit described herein. Cypress does not authorize its products for use as critical components in life-support systems where a malfunction or failure may reasonably be expected to result in significant injury to the user. The inclusion of Cypress' product in a life-support systems application implies that the manufacturer assumes all risk of such use and in doing so indemnifies Cypress against all charges.

Use may be limited by and subject to the applicable Cypress software license agreement.