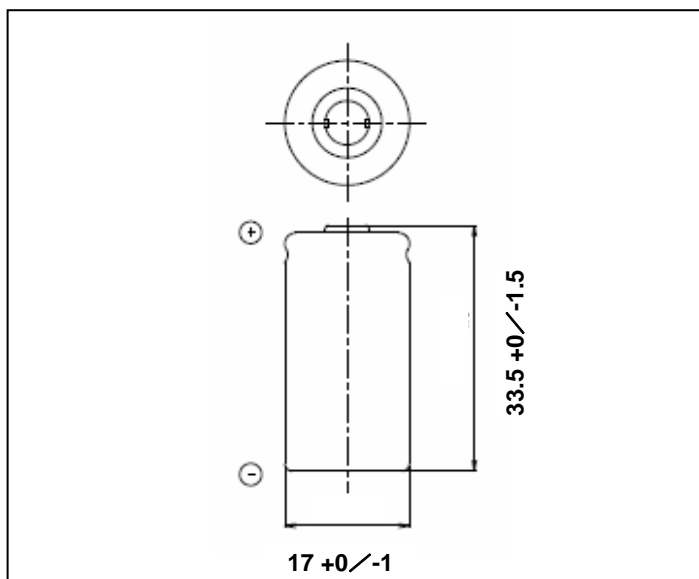


CR-2/3AZ

■ Dimensions (mm)

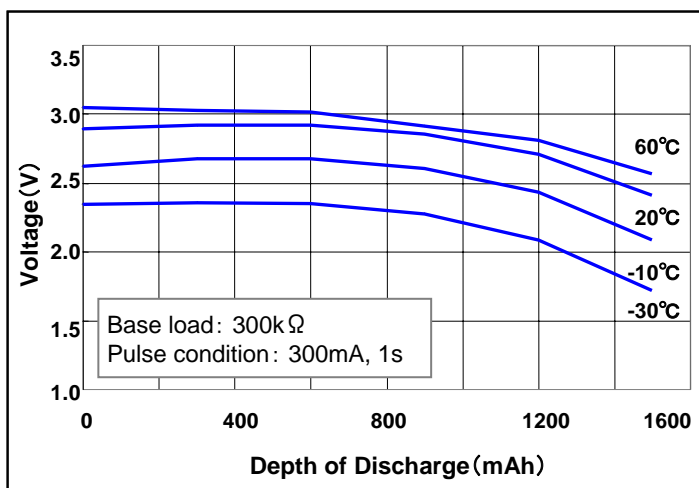


■ Specification

Nominal voltage (V)	3
Nominal capacity (mAh)	1,600
Continuous drain (mA)	2.5
Maximum pulse discharge current (A)	2
Operating temperature (°C)	-40 ~ +85*

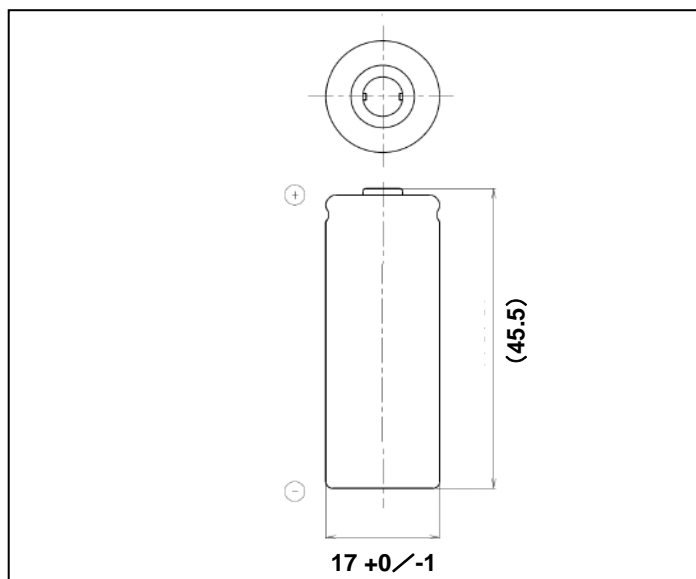
*Please consult Panasonic when anticipating usage in operating temperature of 70°C or above.

■ Discharge temperature characteristics



CR-AG

■ Dimensions (mm)



■ Specification

Nominal voltage (V)	3
Nominal capacity (mAh)	2,400
Continuous drain (mA)	2.5
Maximum pulse discharge current (A)	3
Operating temperature (°C)	-40 ~ +85*

*Please consult Panasonic when anticipating usage in operating temperature of 70°C or above.

■ Discharge temperature characteristics

