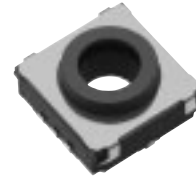


10 mm Square Center Space Long Travel SMD Light Touch Switch

Type: **EVPAD**



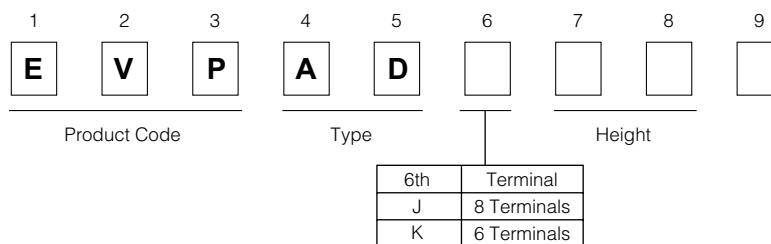
■ Features

- The open center space allows for flexibility in choosing a LED
Up to a 4.2-mm diameter chip LED can be mounted.
- Provides an excellent operational feel.
 - Crisp tactile feedback
 - Long stroke (1 mm)
- Supports auto reflow soldering.

■ Recommended Applications

- Control switches for automotive electronic equipment, such as car audio systems and heater control panels

■ Explanation of Part Numbers



■ Specifications

| | | |
|-------------------------------|---------------------------------|--|
| Type | | Snap action/Push-on type SPST |
| Electrical | Rating | 10 μ A 2 Vdc to 50 mA 12 Vdc (Resistive load) |
| | Contact Resistance | 100 m Ω max. |
| | Insulation Resistance | 100 M Ω min. (at 100 Vdc) |
| | Dielectric Withstanding Voltage | 250 Vac for 1 minute |
| | Bouncing | 10 ms max. (ON, OFF) |
| Mechanical | Operating Force | 4.0 N \pm 0.8 N |
| | Travel | 1.0 mm \pm 0.15 mm |
| Endurance | Operating Life | 100000 cycles min. |
| Operating Temperature | | -40 $^{\circ}$ C to +85 $^{\circ}$ C |
| Storage Temperature | | -40 $^{\circ}$ C to +85 $^{\circ}$ C (Bulk) -20 $^{\circ}$ C to +60 $^{\circ}$ C (Taping) |
| Minimum Quantity/Packing Unit | | 1000 pcs. Embossed Taping (Reel Pack) |
| Quantity/Carton | | 5000 pcs. |

Design and specifications are each subject to change without notice. Ask factory for the current technical specifications before purchase and/or use. Should a safety concern arise regarding this product, please be sure to contact us immediately.

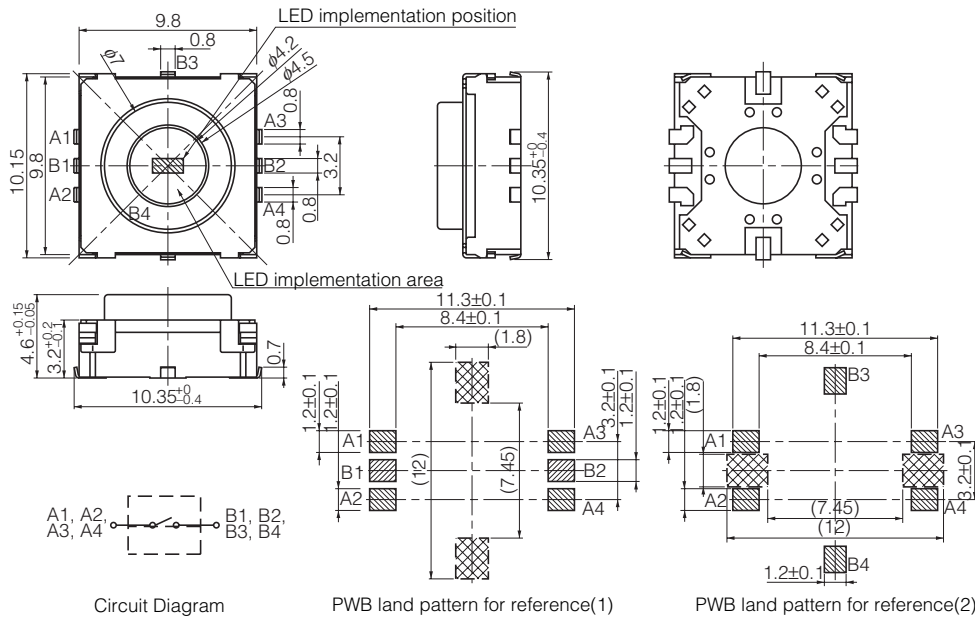
NEW

■ Dimensions in mm (not to scale)

No. 1

EVPADJ04K

(Embossed Taping)



(Precautions for pattern design)

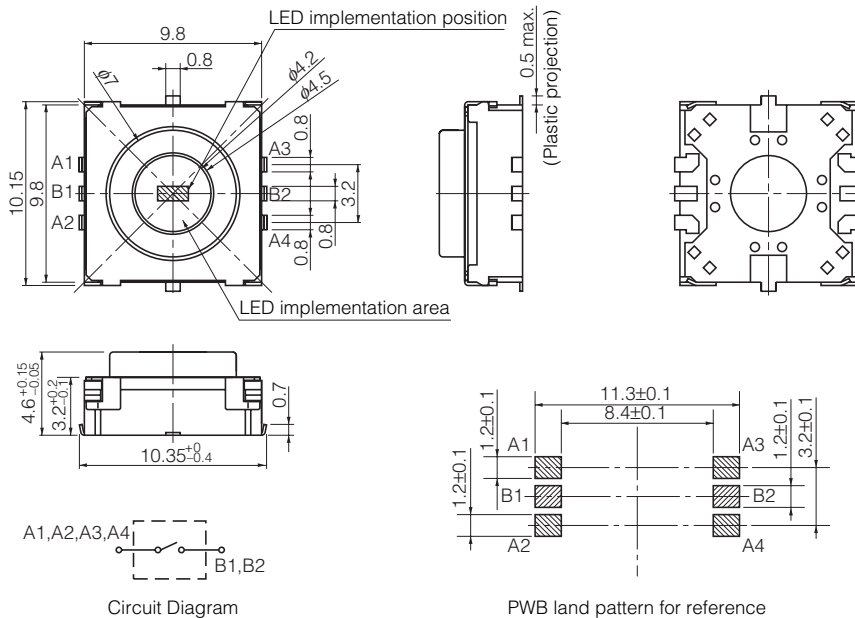
* Note that the terminals are exposed at the sections shaded with " "

* Establish electrical connection at A1, A2, A3, and A4 to improve the contact performance.

No. 2

EVPADK04K

(Embossed Taping)

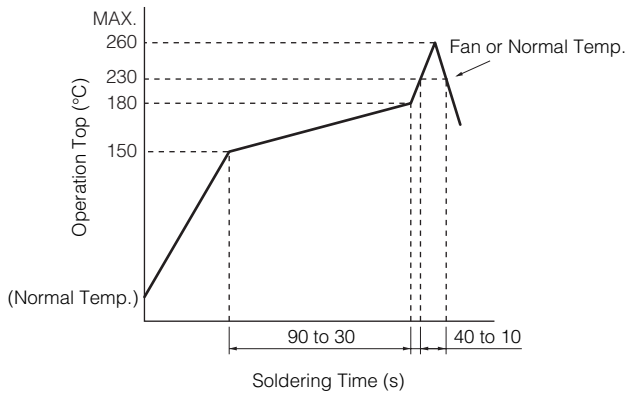


(Precautions for pattern design)

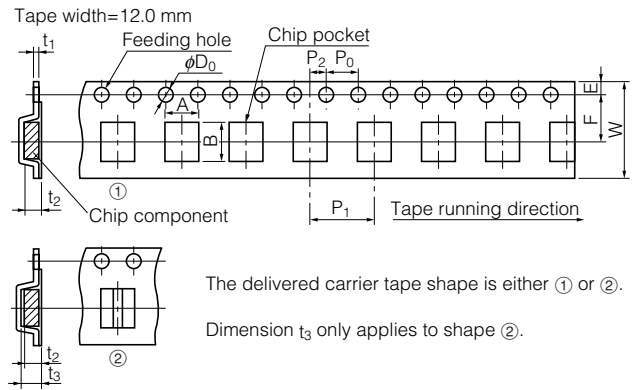
* Note that the terminals are exposed at the sections shaded with " "

* Establish electrical connection at A1, A2, A3, and A4 to improve the contact performance.

Recommended Reflow Soldering Conditions



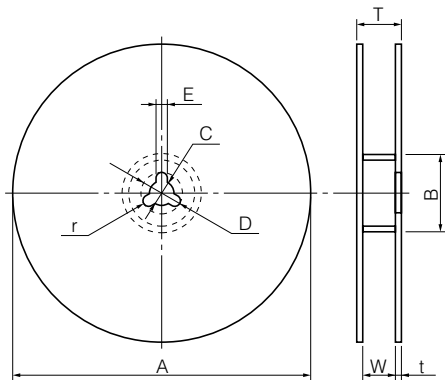
Embossed Carrier Taping



Unit: mm

| Part No. | Height | A | B | W | F | E | P1 | P2 | P0 | D0 Dia | t1 | t2 | t3 |
|----------|--------|----------|----------|----------|---------|-----------|----------|---------|---------|----------------------------------|-----------|---------|---------|
| EVPAD | 4.6 | 10.7±0.2 | 10.7±0.2 | 16.0±0.3 | 7.5±0.1 | 1.75±0.10 | 12.0±0.1 | 2.0±0.1 | 4.0±0.1 | 1.5 ^{+0.1} ₀ | 0.40±0.05 | 4.8±0.2 | 5.8±2.0 |

Standard Reel Dimensions in mm (not to scale)



| Item | A | B | C | D | E |
|-----------|----------------------|---------------------|---------------------|---------------------|---------|
| Rate (mm) | $\phi 380.0 \pm 2.0$ | $\phi 80.0 \pm 1.0$ | $\phi 13.0 \pm 0.5$ | $\phi 21.0 \pm 1.0$ | 2.0±0.5 |

| Item | W | T | t | r |
|-----------|----------|----------|---|---|
| Rate (mm) | 17.5±0.5 | 21.5±1.0 | — | — |