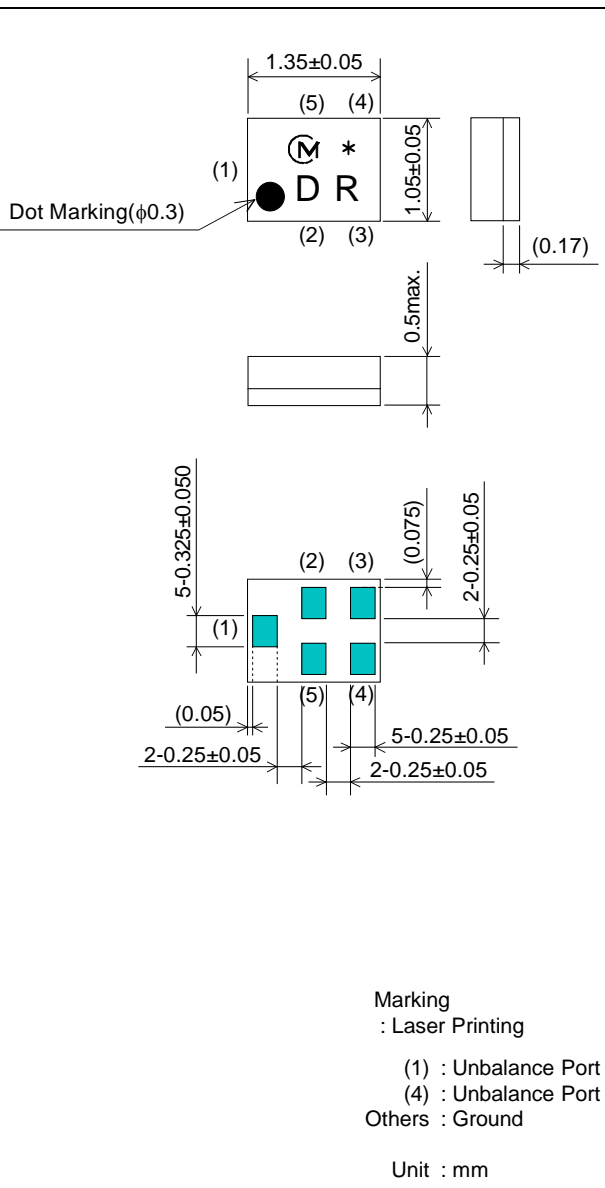


SAW FILTER FOR Band13 Tx

Murata part number : SAFEA782MAL0F00

Package Dimensions



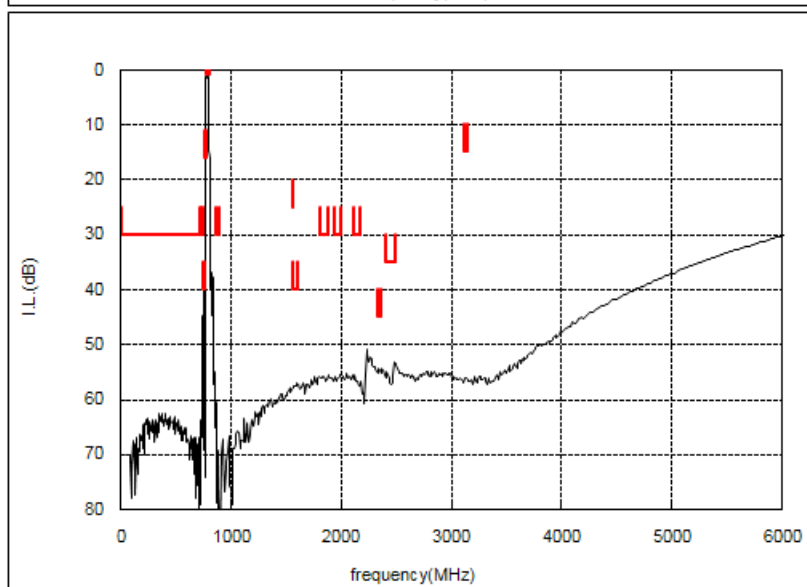
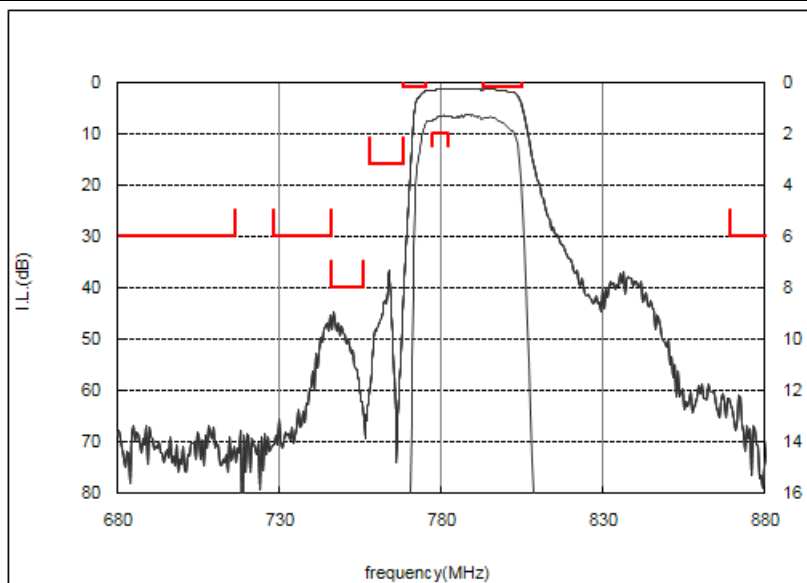
Specification

Item	Specification		
	-20 to 85°C	25±2°C	typ.
Nominal Center Frequency(fc)	782MHz		
Insertion Loss (777 to 787MHz)	2.0 dB max.	1.75 dB max.	1.6 dB
Absolute Attenuation			
1) 10 to 716 MHz	30 dB min.	30 dB min.	62 dB
2) 728 to 746 MHz	30 dB min.	30 dB min.	46 dB
3) 746 to 756 MHz	40 dB min.	41 dB min.	46 dB
4) 758 to 768 MHz	16 dB min.	28 dB min.	37 dB
5) 768 to 775 MHz	1 dB min.	1 dB min.	1.6 dB
6) 793 to 805 MHz	1 dB min.	1 dB min.	1.4 dB
7) 869 to 894 MHz	30 dB min.	30 dB min.	61 dB
8) 1554 to 1565 MHz	25 dB min.	25 dB min.	60 dB
9) 1565 to 1607 MHz	40 dB min.	40 dB min.	59 dB
10) 1805 to 1880 MHz	30 dB min.	30 dB min.	58 dB
11) 1930 to 1990 MHz	30 dB min.	30 dB min.	57 dB
12) 2110 to 2170 MHz	30 dB min.	30 dB min.	58 dB
13) 2331 to 2361 MHz	45 dB min.	45 dB min.	56 dB
14) 2400 to 2484 MHz	35 dB min.	35 dB min.	54 dB
15) 3108 to 3148 MHz	15 dB min.	15 dB min.	56 dB
Ripple Deviation (777 to 787MHz)	1.0 dB max.	0.9 dB max.	0.3dB
VSWR (777 to 787MHz)	2.0 max.	1.9 max.	1.3
Unbalance Port Matching Impedance (nominal)	50Ω		
Input Signal Level	31.6mW (+15dBm), 2000 hours		

SAW FILTER FOR Band13 Tx

Murata part number : SAFEA782MAL0F00

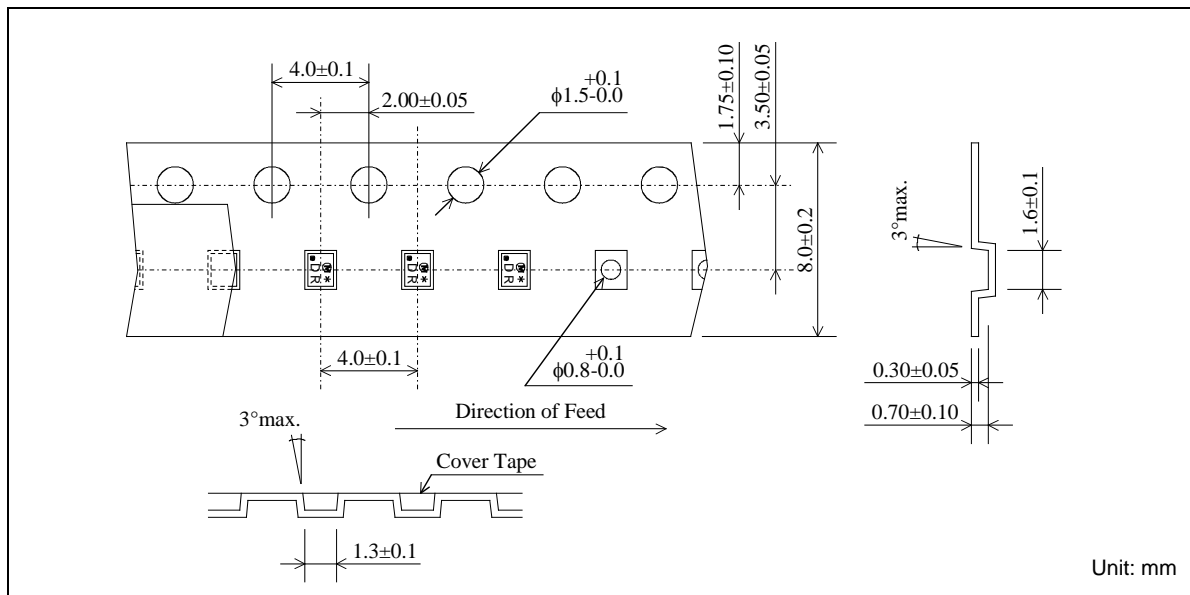
Frequency Performance



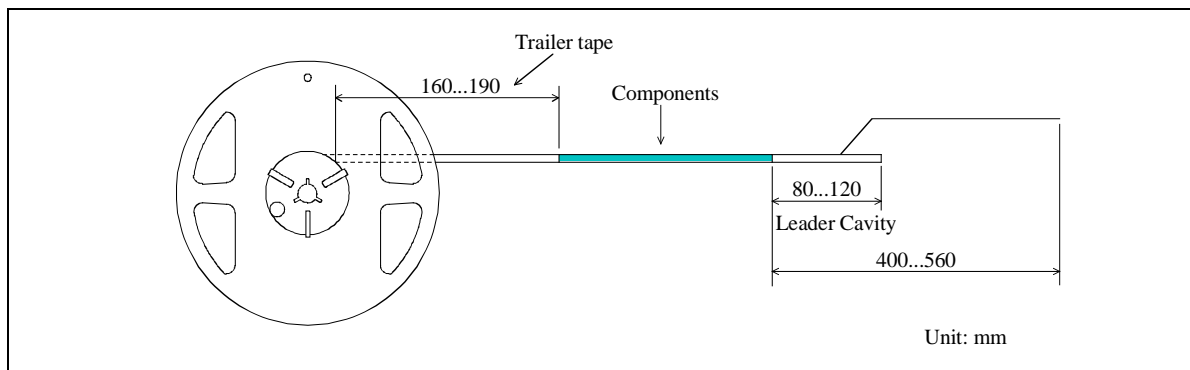
SAW FILTER FOR Band13 Tx

Murata part number : SAFEA782MAL0F00

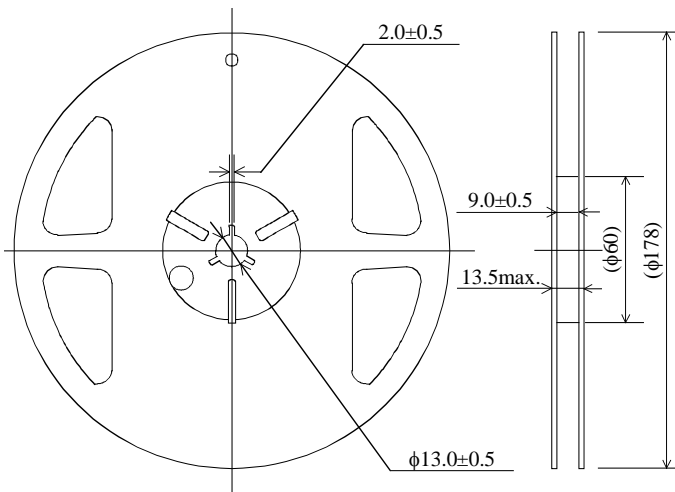
Dimensions of Carrier Tape



Dimensions of Tape



Dimensions of Reel

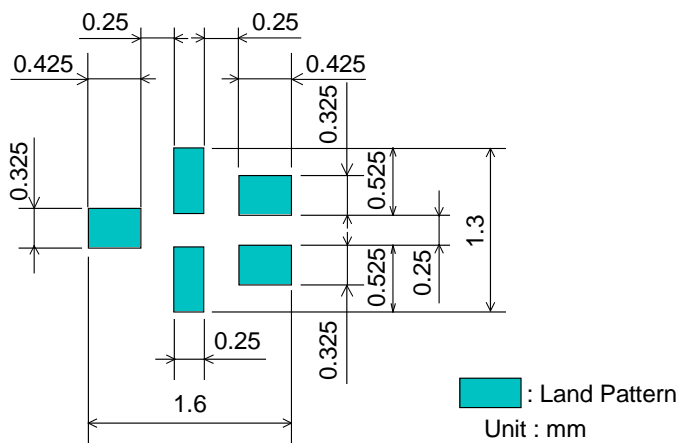


SAFEA782MAL0F00R14 ... 4000pcs/reel
SAFEA782MAL0F00R12 ... 2000pcs/reel

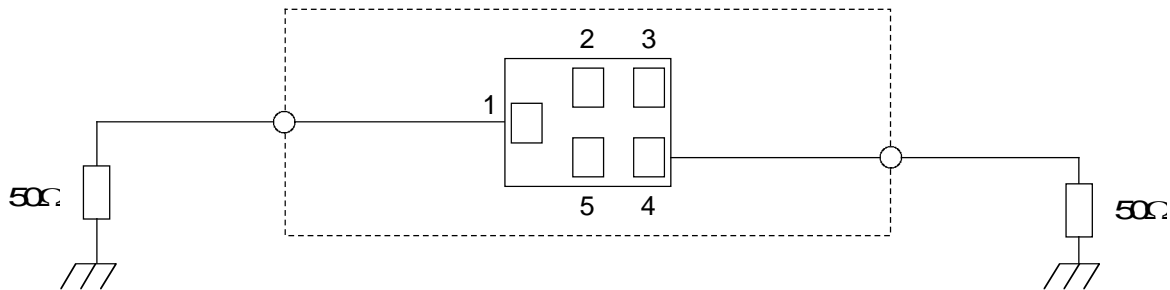
SAW FILTER FOR Band13 Tx

Murata part number : SAFEA782MAL0F00

Recommended Land Pattern



Test Circuit



SAW FILTER FOR Band13 Tx

Murata part number : SAFEA782MAL0F00

■ RoHS Compliance

This component is compliant with RoHS directive.

This component was always RoHS compliant from the first date of manufacture.

• Caution - Limitation of Applications

Please contact us before using our products for the applications listed below which require especially for the prevention of defects which might directly cause damage to the third party's life, body or property.

- a. Aircraft equipment
- b. Aerospace equipment
- c. Undersea equipment
- d. Nuclear control equipment
- e. Medical equipment
- f. Transportation equipment (vehicles, trains, ships, etc.)
- g. Traffic signal equipment
- h. Disaster prevention / crime prevention equipment
- i. Data - processing equipment
- j. Application of similar complexity and / or reliability requirements to the applications listed in the above

- This PDF Datasheet is downloaded from the website of Murata Manufacturing Co., Ltd. Therefore, it's specifications are subject to change or our products in it may be discontinued without advance notice. Please check with our sales representatives or product engineers before ordering.

- This PDF Datasheet has only typical specifications because there is no space for detailed specifications. Therefore, please approve our product specifications or transact the approval sheet for product specifications before ordering.