

6.0 mm×3.5 mm Square Light Touch Switches

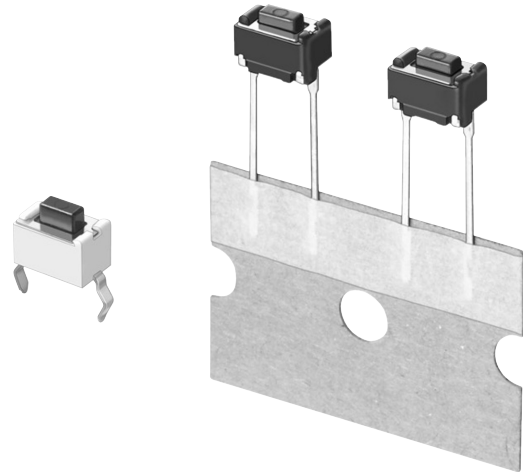
Japan

Type: **EVQPJ**

6.0 mm×3.5 mm size, narrow width type

■ Features

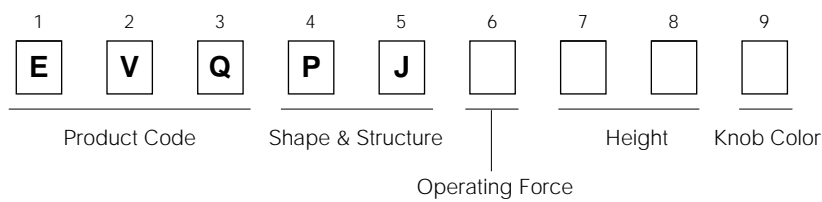
- 6.0 mm×3.5 mm-type for space saving, high-density mounting
- Excellent clear click feeling
- Wave soldering available
- Excellent soldering heat endurance due to heat-resistant resin
- Excellent mounting efficiency with radial taping package



■ Recommended Applications

- Car Audio Equipment
- Compact Disc Players
- Operating switches for Electronic Equipment

■ Explanation of Part Numbers

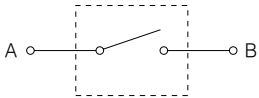


■ Product Chart

Operating Force	Type	Bulk Type	SMD	Radial Taping	Height
	1.0 N±0.5 N		EVQPJA	EVQPJS	EVQPJG
1.6 N±0.5 N		EVQPJB	EVQPJX	EVQPJH	
2.4 N±0.6 N		EVQPJC	EVQPJU	EVQPJJ	

Design, Specifications are subject to change without notice. Ask factory for technical specifications before purchase and/or use. Whenever a doubt about safety arises from this product, please inform us immediately for technical consultation without fail.

Major Specifications

Type	Snap action/Push-on type SPST				
Electrical	Circuit Diagram				
	Rating	50 mA 12 Vdc			
	Contact Resistance	100 mΩ max.			
	Insulation Resistance	100 MΩ min. (at 100 Vdc)			
	Dielectric Withstanding Voltage	250 Vac for 1 minute			
	Bouncing	10 ms max.			
Mechanical	Operating Force	<table border="1"> <tr> <td>1.0 N±0.5 N (Low force type)</td> <td rowspan="2">2.4 N±0.6 N</td> </tr> <tr> <td>1.6 N±0.5 N (Standard)</td> </tr> </table>	1.0 N±0.5 N (Low force type)	2.4 N±0.6 N	1.6 N±0.5 N (Standard)
	1.0 N±0.5 N (Low force type)	2.4 N±0.6 N			
1.6 N±0.5 N (Standard)					
	Travel	0.25 mm ^{+0.20} _{-0.10} mm			
Endurance	Operating Life	<table border="1"> <tr> <td>50000 cycles min.</td> <td>30000 cycles min.</td> </tr> </table>	50000 cycles min.	30000 cycles min.	
	50000 cycles min.	30000 cycles min.			
	Operating Temperature	-30 °C to +85 °C			
Storage Temperature	-40 °C to +85 °C (Bulk) -20 °C to +40 °C (Taping)				
Minimum Quantity/ Packing Unit	EVQPJA EVQPJB EVQPJC	1000 pcs. (Vinyl Bag)			
	EVQPJS EVQPJX EVQPJU	<table border="1"> <tr> <td>2000 pcs. (Reel Pack) (H = 5.0 mm)</td> <td>2500 pcs. (Reel Pack) (H = 4.3 mm)</td> </tr> </table>	2000 pcs. (Reel Pack) (H = 5.0 mm)	2500 pcs. (Reel Pack) (H = 4.3 mm)	
	2000 pcs. (Reel Pack) (H = 5.0 mm)	2500 pcs. (Reel Pack) (H = 4.3 mm)			
	EVQPJG EVQPJH EVQPJJ	2000 pcs. (Radial Taping)			
	EVQPJA EVQPJB EVQPJC	10000 pcs.			
	EVQPJS EVQPJX EVQPJU	<table border="1"> <tr> <td>10000 pcs. (H = 5.0 mm)</td> <td>12500 pcs. (H = 4.3 mm)</td> </tr> </table>	10000 pcs. (H = 5.0 mm)	12500 pcs. (H = 4.3 mm)	
10000 pcs. (H = 5.0 mm)	12500 pcs. (H = 4.3 mm)				
EVQPJG EVQPJH EVQPJJ	20000 pcs.				

Design, Specifications are subject to change without notice. Ask factory for technical specifications before purchase and/or use. Whenever a doubt about safety arises from this product, please inform us immediately for technical consultation without fail.

■ Dimensions in mm (not to scale)

No. 1				
Japan EVQPJA EVQPJB EVQPJC (Bulk)				
		Recommended PWB piercing plan (Pitch tolerance: ±0.1) View from mounting side		
Part Numbers	Operating Force	Height	Knob Color	Operating Life
EVQPJA04Q	1.0 N	4.3 mm	Grey	50000 cycles
EVQPJA05Q	1.0 N	5.0 mm	Grey	50000 cycles
EVQPJB04K	1.6 N	4.3 mm	Black	50000 cycles
EVQPJB05K	1.6 N	5.0 mm	Black	50000 cycles
EVQPJC04T	2.4 N	4.3 mm	Brown	30000 cycles
EVQPJC05T	2.4 N	5.0 mm	Brown	30000 cycles
No. 2				
Japan EVQPJS EVQPJX EVQPJU (Embossed Taping) 6 mm×3.5 mm Square SMD				
		Recommended land pattern		
Part Numbers	Operating Force	Height	Knob Color	Operating Life
EVQPJS04K	1.0 N	4.3 mm	Black	50000 cycles
EVQPJS05K	1.0 N	5.0 mm	Black	50000 cycles
EVQPJX04M	1.6 N	4.3 mm	Natural	50000 cycles
EVQPJX05M	1.6 N	5.0 mm	Natural	50000 cycles
EVQPJU04K	2.4 N	4.3 mm	Black	30000 cycles
EVQPJU05K	2.4 N	5.0 mm	Black	30000 cycles

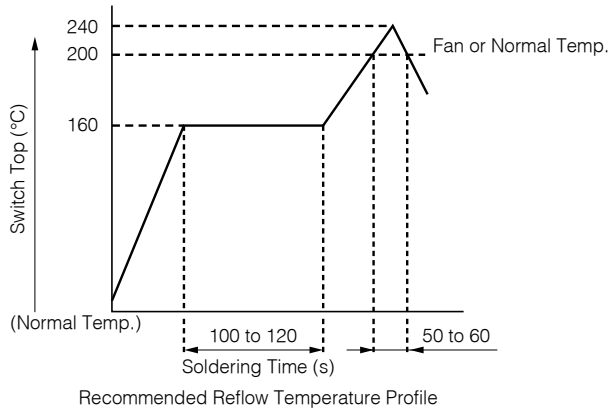
Design, Specifications are subject to change without notice. Ask factory for technical specifications before purchase and/or use. Whenever a doubt about safety arises from this product, please inform us immediately for technical consultation without fail.

■ Dimensions in mm (not to scale)

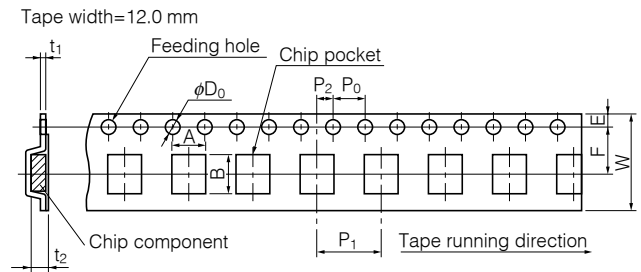
<p>No. 3</p> <p>Japan</p> <p>EVQPJG EVQPJH EVQPJJ</p> <p>(Radial Taping)</p>	<p>Recommended PWB piercing plan (Pitch tolerance: ±0.1) View from mounting side</p> <p>JIS C0806-2 shall be applied to the items not specified here.</p> <p>Circuit diagram</p>			
Part Numbers	Operating Force	Height	Knob Color	Operating Life
EVQPJG04Q	1.0 N	4.3 mm	Grey	50000 cycles
EVQPJG05Q	1.0 N	5.0 mm	Grey	50000 cycles
EVQPJH04K	1.6 N	4.3 mm	Black	50000 cycles
EVQPJH05K	1.6 N	5.0 mm	Black	50000 cycles
EVQPJJ04T	2.4 N	4.3 mm	Brown	30000 cycles
EVQPJJ05T	2.4 N	5.0 mm	Brown	30000 cycles

Design, Specifications are subject to change without notice. Ask factory for technical specifications before purchase and/or use. Whenever a doubt about safety arises from this product, please inform us immediately for technical consultation without fail.

■ Recommended Reflow Soldering Conditions



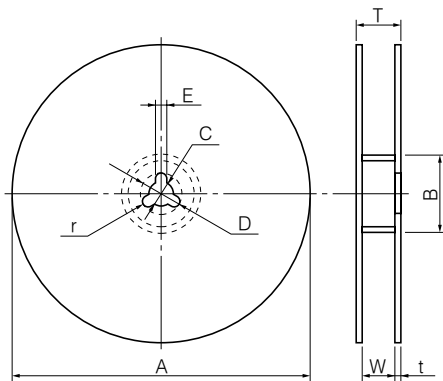
● Embossed Carrier Taping



Part No.	Height	A	B	W	F	E	P ₁	P ₂	P ₀	D ₀ Dia.	t ₁	t ₂
EVQPJS	4.3/5.0	4.45±0.20	7.25±0.20	12.0±0.3	5.5±0.1	1.75±0.10	8.0±0.1	2.0±0.1	4.0±0.1	1.5 ^{+0.1} ₀	0.30±0.05	4.5/5.2±0.2
EVQPJX												
EVQPJU												

Unit: mm

● Standard Reel Dimensions in mm (not to scale)



Item	A	B	C	D	E
Rate (mm)	φ370.0±2.0	φ50.0 min.	φ13.0±0.5	φ21.0±1.0	2.0±0.5

Item	W	T	t	r
Rate (mm)	14.0±1.5	—	1.0 to 3.0	1.0±0.5