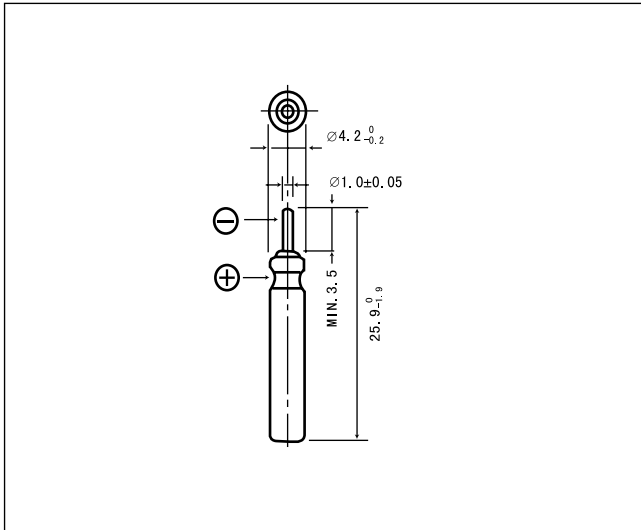


BR425

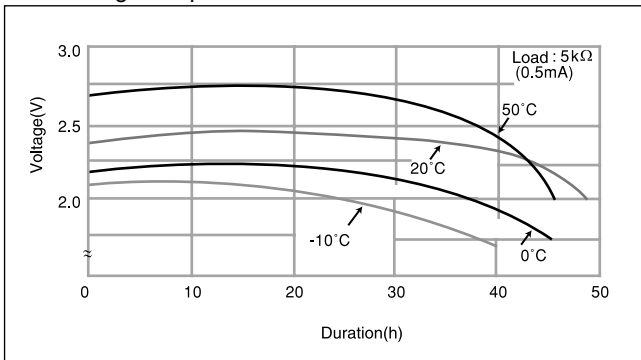
■ Dimensions(mm)



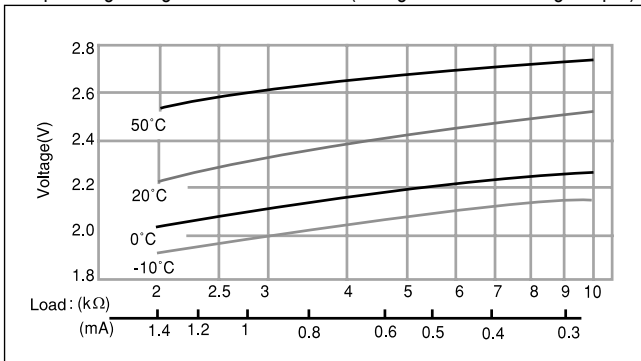
■ Specification

Nominal voltage(V)	3
Nominal capacity(mAh)	25
Continuous drain(mA)	0.5
Operating temperature(°C)	-30 to +80

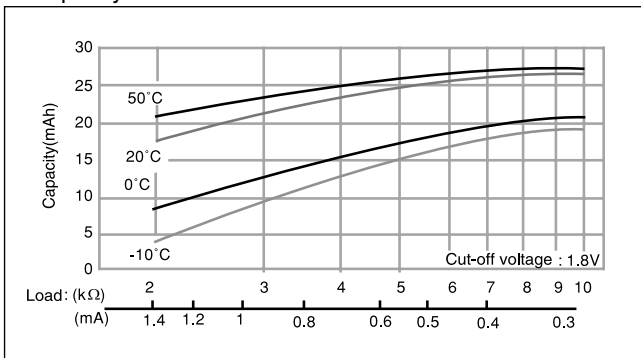
■ Discharge temperature characteristics



■ Operating voltage vs. load resistance(voltage at 50% discharge depth)

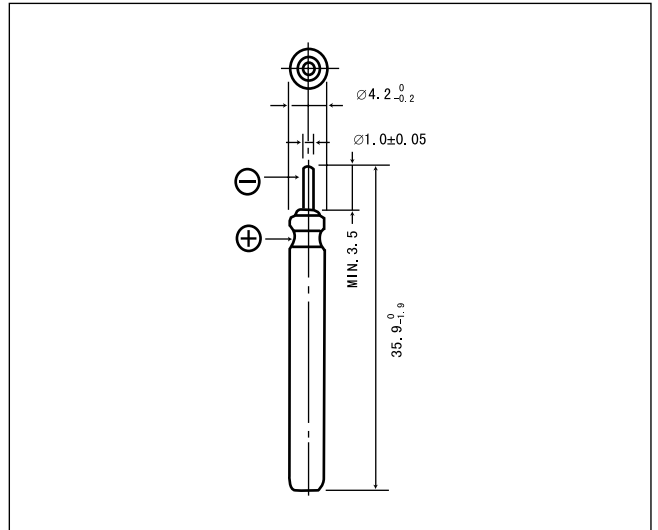


■ Capacity vs. load resistance



BR435

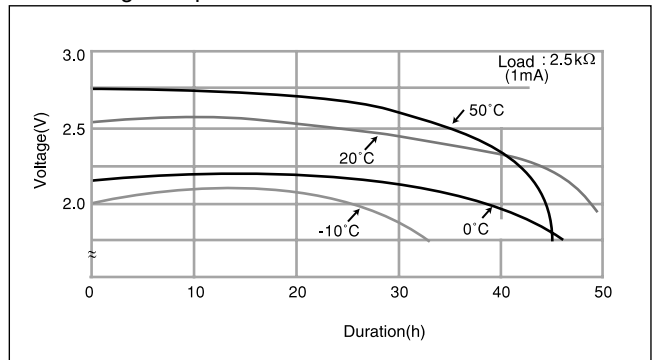
■ Dimensions(mm)



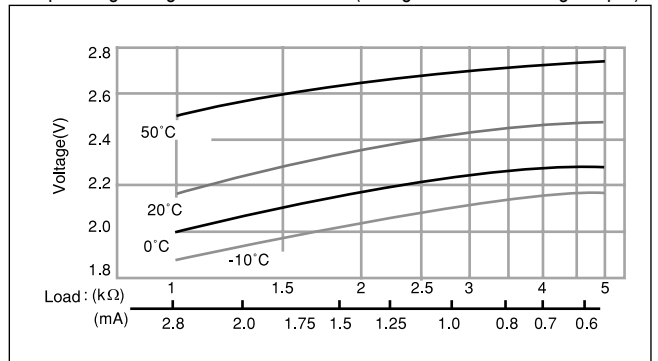
■ Specification

Nominal voltage(V)	3
Nominal capacity(mAh)	50
Continuous drain(mA)	1
Operating temperature(°C)	-30 to +80

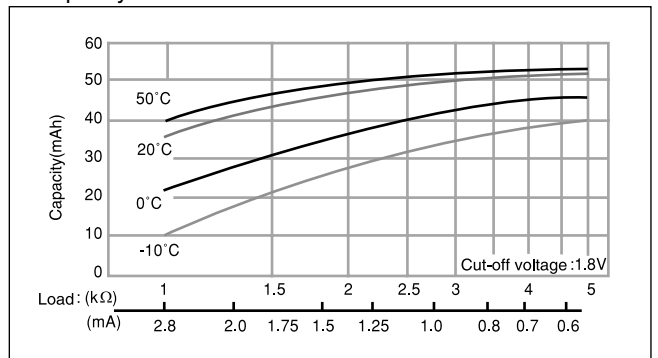
■ Discharge temperature characteristics



■ Operating voltage vs. load resistance(voltage at 50% discharge depth)



■ Capacity vs. load resistance



* The data in this document are for descriptive purposes only and are not intended to make or imply any guarantee or warranty.