

EVAL-INAMP-62RZ/82RZ/82RMZ**FEATURES****3 generic, easy-to-use PC boards****Support several related in-amp products****Simple gain setting****Decoupled supply lines****EVAL-INAMP-62RZ board****Tests the AD620, AD621, AD622, and AD623****Configurable for dual or single supplies****Provision for optional circuitry****Shield driver****Adjustable offset/reference****EVAL-INAMP-82RZ and EVAL-INAMP-82RMZ boards****Test the AD8220, AD8221, and AD8228****Two package variations available: SOIC and MSOP****Solder jumper****SMA/SMB outline****APPLICATIONS****Quick, easy product characterization****Interface to other evaluation tools****Breadboard custom application circuits****GENERAL DESCRIPTION**

This data sheet describes three generic evaluation boards used to test several related in-amp products. A general description of each board is provided in this section. Full details on each of the devices are provided in the device data sheets available from Analog Devices, Inc., and should be consulted in conjunction with this data sheet.

EVAL-INAMP-62RZ (SOIC or PDIP)

The EVAL-INAMP-62RZ is an easy-to-use accessory for evaluating the AD620 series of instrumentation amplifiers. This board test the AD620, AD621, AD622, and AD623 devices. In addition to the basic in-amp connection, circuit options enable the user to adjust the offset voltage, apply an output reference, or provide shield drivers with user-supplied components. The board is shipped with an assortment of surface-mount packages. The board also has an alternative footprint for a through-hole, 8-lead PDIP.

Note that the AD621 CMRR performance degrades at gains of 100 when using this board due to the high performance of the AD621.

Rev. A

Evaluation boards are only intended for device evaluation and not for production purposes. Evaluation boards are supplied "as is" and without warranties of any kind, express, implied, or statutory including, but not limited to, any implied warranty of merchantability or fitness for a particular purpose. No license is granted by implication or otherwise under any patents or other intellectual property by application or use of evaluation boards. Information furnished by Analog Devices is believed to be accurate and reliable. However, no responsibility is assumed by Analog Devices for its use, nor for any infringements of patents or other rights of third parties that may result from its use. Analog Devices reserves the right to change devices or specifications at any time without notice. Trademarks and registered trademarks are the property of their respective owners. Evaluation boards are not authorized to be used in life support devices or systems.

To get started with this evaluation board, see the Quick Start for the EVAL-INAMP-62RZ section.

EVAL-INAMP-82RZ (SOIC)

The EVAL-INAMP-82RZ offers users the option of evaluating the AD8221 and AD8228 instrumentation amplifiers individually or with other products in common applications. As with the AD620 to AD623 board, this board is shipped with an assortment of surface-mount packages. The evaluation board is arranged so that users can easily adjust the gain resistor and reference jumper. The board offers an SMA/SMB outline at the output.

Users can add their own connector to interface the evaluation board with complementary tools, such as an analog-to-digital converter (ADC) evaluation board, available from Analog Devices. The board permits easy wiring of active filters, line drives, and ADCs, right on the board, thus extending its use as a development tool.

To get started with this evaluation board, see the Quick Start for the EVAL-INAMP-82RZ and EVAL-INAMP-82RMZ section of this data sheet.

EVAL-INAMP-82RMZ (MSOP)

The EVAL-INAMP-82RMZ board is similar to the EVAL-INAMP-82RZ board with one difference: the EVAL-INAMP-82RMZ board is configured for the MSOP package. This covers the AD8220, AD8221, and AD8228 products. The EVAL-INAMP-82RMZ board is shipped with an assortment of MSOP surface-mount ICs.

To get started, see the Quick Start for the EVAL-INAMP-82RZ and EVAL-INAMP-82RMZ section of this data sheet.

BASIC OPERATION

The AD620 and AD8220 series in-amps convert a differential input signal to a single-ended output signal, with respect to a reference voltage. User-supplied power supplies connect $+V_s$, $-V_s$, and ground to pins of the IC. The differential signal is applied to the +IN and -IN pins of the in-amp, while the signal output appears at the OUTPUT pin of the in-amp.

Figure 2 shows the component layout and the location of connections for the EVAL-INAMP-62RZ (AD620 Series) PC board.

EVAL-INAMP-62RZ/82RZ/82RMZ

TABLE OF CONTENTS

Features	1	Guard Drivers	5
Applications.....	1	User Options	6
General Description	1	Quick Start for the EVAL-INAMP-82RZ and EVAL-INAMP-82RMZ Boards.....	7
Basic Operation.....	1	Reference	7
Revision History	2	Input.....	7
EVAL-INAMP-62RZ Details.....	3	Output.....	7
Quick Start for the EVAL-INAMP-62RZ Board	4	Ordering Guide	8
Circuit Options	4	ESD Caution.....	8
Load Resistor.....	4		

REVISION HISTORY

11/08—Rev. 0 to Rev. A

Combined AD623-EVALZ and AD623-EVAL Data Sheets	Universal
Added AD8220/AD8221-EVALZ Throughout	1
Changed AD623-EVALZ to AD620 Series-EVALZ Throughout	1
Changes to General Description	1
Added EVAL-INAMP-62RZ Details Heading.....	3
Added Quick Start for the EVAL-INAMP-62RZ Boards Heading.....	4
Changes to Gain Adjustment Section	4
Added Table 1 and Table 2; Renumbered Sequentially	4
Changed Appendix Heading to User Options.....	6
Added Quick Start for the EVAL-INAMP-82RZ and EVAL-INAMP-82RMZ Boards Heading.....	7
Changes to Ordering Guide	8

12/07—Revision 0: AD623-EVALZ Initial Version

6/03—Revision 0: AD623-EVAL Initial Version

EVAL-INAMP-62RZ DETAILS

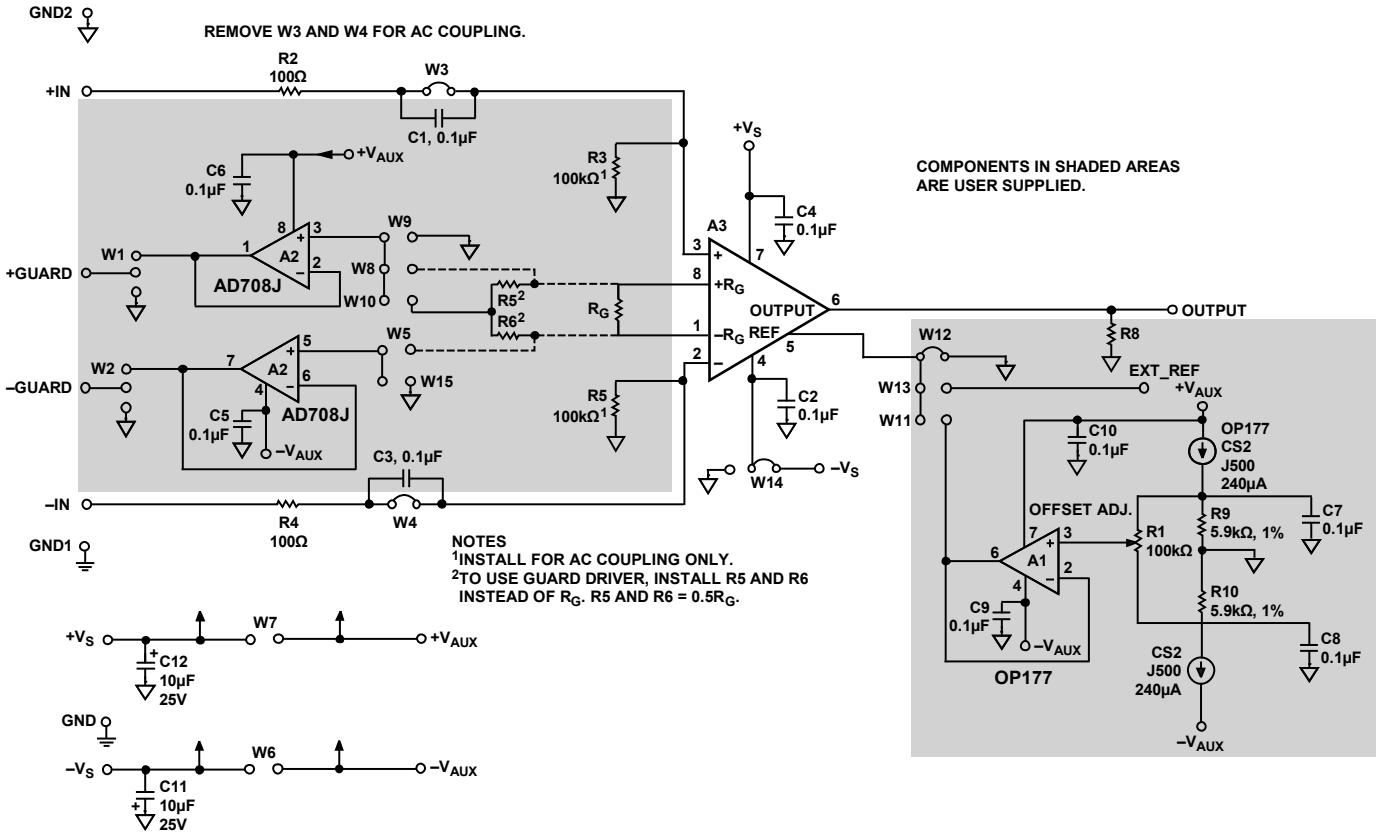


Figure 1. EVAL-INAMP-62RZ (AD620 Series) Schematic Diagram

07175-001

EVAL-INAMP-62RZ/82RZ/82RMZ

QUICK START FOR THE EVAL-INAMP-62RZ BOARD

CIRCUIT OPTIONS

Single-Supply Operation

A jumper is provided to select between single or dual power supplies. The evaluation board is shipped with W14 in the dual-supply position. To convert to single supply, place W14 in the position marked with a ground symbol.

Gain Adjustment

The gain of the AD621 is pin selectable where $G = 1$ (default) or $G = 100$ (strap Pin 1 and Pin 8). In contrast, the gain of the AD620, AD622, and AD623 devices is resistor dependent (the resistor is connected between the R_G pins). Without a resistor, the gain is unity. Table 1 to Table 3 provide calculated gains for each device. See the individual product data sheet for the gain equations.

Table 1. AD620 Gain Resistor Values

1% Standard Value of R_G (Ω)	Calculated Gain	0.1% Standard Value of R_G (Ω)	Calculated Gain
49.9 k	1.990	49.3 k	2.002
12.4 k	4.984	12.4 k	4.984
5.49 k	9.998	5.49 k	9.998
2.61 k	19.93	2.61 k	19.93
1.00 k	50.40	1.01 k	49.91
499	100.0	499	100.0
249	199.4	249	199.4
100	495.0	98.8	501.0
49.9	991.0	49.3	1003.0

Table 2. AD622 Gain Resistor Values

Desired Gain	1% Standard Value of R_G (Ω)	Calculated Gain
2	51.1 k	1.988
5	12.7 k	4.976
10	5.62 k	9.986
20	2.67 k	19.91
33	1.58 k	32.96
40	1.3 k	39.85
50	1.02 k	50.50
65	787	65.17
100	511	99.83
200	255	199.0
500	102	496.1
1000	51.1	989.3

Table 3. AD623 Gain Resistor Values

Desired Gain	1% Standard Value of R_G (Ω)	Calculated Gain
2	100 k	2
5	24.9 k	5.02
10	11 k	10.09
20	5.23 k	20.12
33	3.09 k	33.36
40	2.55 k	40.21
50	2.05 k	49.78
65	1.58 k	64.29
100	1.02 k	99.04
200	499	201.4
500	200	501
1000	100	1001

External Reference or Offset Adjustment

When shipped, the reference of the EVAL-INAMP-62RZ board is connected to ground. Certain single-supply applications (for example, an ADC connected to the output of the in-amp) require a symmetrical output voltage centered on a nonzero value. The reference can be equal to half the supply, or an application-specific voltage can be provided by an ADC. The user can install a jumper at W13 and connect an external reference to the EXT_REF pin. To maintain proper operation of the in-amp, the reference should be provided by a voltage source.

Similarly, a provision is made for an offset adjustment of ± 1.12 V by installing the parts listed in Table 6. Although the A2 and A3 ICs can be used with a single or dual power supply connection, A1 requires a dual supply. To enable the offset feature, install a shunt in Position W11. To adjust the offset of the in-amp, ground both inputs and measure the output voltage. Adjust Potentiometer R1 for 0 V.

LOAD RESISTOR

Although not required for normal operation, a load resistor can be inserted at Position R8.

GUARD DRIVERS

When interference from sources such as power lines must be reduced to levels below those provided by standard shielded cables, guard drivers may be effective. A guard equalizes the ac potential between the in-amp input and the cable shield of the line, effectively reducing the low frequency interference voltage.

A2 in Figure 2 is a dual op amp AD708 driving the shield(s) of the input cable(s) from the gain resistor pins of the in-amp. The voltages at these pins are equal to the input voltages plus 0.6 V (refer to the device data sheet).

The EVAL-INAMP-62RZ provides single and differential guards. Differential guards drive the shields with essentially the same signals as the inputs, whereas the single guard can be used for dual conductor cables. In this mode, the +GUARD drives the shield at $\frac{1}{2}(V_{IN\ DIFF}) + 0.6\ V$.

To activate the guard drivers, $+V_{AUX}$ and $-V_{AUX}$ must be connected. For shielded cables at both inputs, install the W1, W2, W5, and W8 jumpers.

Using a Single Guard

When using the AD620, AD622, and AD623 for gains greater than 1, install Resistors R6 and R11 (which are each half the calculated resistance of R_G) and Jumpers W1, W2, and W10. For a gain of 1, either Position R6 or Position R11 can be shorted to enable the guard driver input. Connect the shield to +GUARD.

On the header pins that do not bear the ground symbol, insert a shunt across Position W1.

The guard drivers can be assembled using the components listed in Table 6.

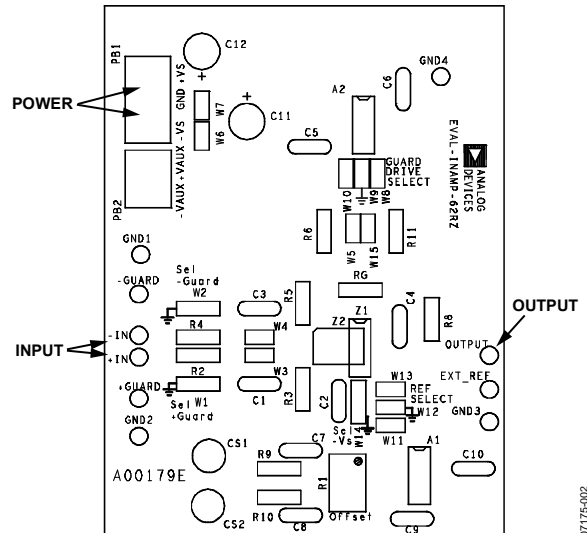


Figure 2. Component Location for the EVAL-INAMP-62

07175-002

EVAL-INAMP-62RZ/82RZ/82RMZ

USER OPTIONS

Table 4. Jumpers

Jumper	Function	Description	Status
W1	+GUARD select	Allows the shield of the positive input cable to be connected to the guard driver or ground.	Not installed
W2	–GUARD select	Allows the shield of the negative input cable to be connected to the guard driver or ground.	Not installed
W3	+Input coupling	Installed; the positive input is dc-coupled.	Installed
W4	–Input coupling	Installed; the negative input is dc-coupled.	Installed
W5	Guard driver –IN	Connects the negative shield guard driver to Pin 1 of the in-amp.	Not installed
W6	–V _S to –V _{AUX}	Connects the negative supply voltage to the negative auxiliary voltage of the same value.	Not installed
W7	+V _S to +V _{AUX}	Connects the positive supply voltage to the positive auxiliary voltage of the same value.	Not installed
W8	Guard driver +IN	Connects the positive shield guard driver to Pin 8 of the in-amp.	Not installed
W9	Guard driver +IN	Connects the positive shield guard driver to ground.	Not installed
W10	Guard driver +IN	Selects the single-shield guard driver.	Not installed
W11	Reference input	Connects the reference of the in-amp to the offset-adjustable voltage reference.	Not installed
W12	Reference input	Connects the reference of the in-amp to ground.	Installed
W13	Reference input	Connects the reference of the in-amp to an external reference supply.	Not installed
W14	In-amp –V _S source	Connects the in-amp –V _S pin to GND or to –V _S of the evaluation board.	Connected to –V _S
W15	Guard driver –IN	Connects the negative shield guard driver to ground.	Not installed

Table 5. Input/Output

I/O	Function
+V _S /–V _S	Positive and negative rails of the in-amp.
GND	Ground for the board. GND1, GND2, GND3, and GND4 designate pins.
+IN/–IN	Positive and negative inputs of the in-amp.
+GUARD/–GUARD	Positive and negative terminals for use with a shielded cable.
EXT_REF	External reference input for the in-amp.
OUTPUT	Output of the in-amp.
+V _{AUX} /–V _{AUX}	Auxiliary power rails for guard drivers and offset reference circuitry.

Table 6. User-Supplied Parts for Guard and Offset Circuits

Reference Designation	Part
Guard Drivers	
C5, C6	0.1 μF, 25 V ceramic capacitor
A2	AD708JN dual precision op amp
Offset Regulators	
C7 to C10	0.1 μF, 25 V ceramic capacitor
A1	OP177 precision op amp
CS1, CS2	J500 240 μA current source
R9, R10	5.9 kΩ, 1% metal film resistor

QUICK START FOR THE EVAL-INAMP-82RZ AND EVAL-INAMP-82RMZ BOARDS

The quick start instructions in this section assume that the evaluation board is in default condition as shown in Table 7. Separate evaluation boards are available for the AD822x SOIC for MSOP devices (see the Ordering Guide section.)

Table 7. Factory Setting

Connection	Purpose
W1 is soldered	REF is tied to ground

Follow Step 1 through Step 3 to get started using these boards (see Figure 3).

1. Connect a ± 2.3 V to ± 15 V supply to $+V_S$ and $-V_S$.
2. Drive the inputs with a signal.
3. Measure the output on a multimeter or oscilloscope. The output voltage is the voltage measured between V_{OUT} (OUT) and V_{REF} (REF). The output can drive another device, such as an ADC.

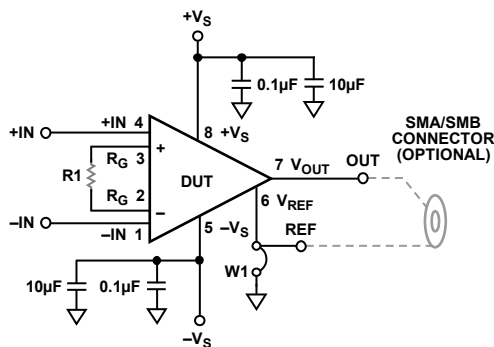


Figure 3. EVAL-INAMP-82RZ Schematic

REFERENCE

The reference level of the instrumentation amplifier can be set by driving the REF pin with a precision voltage reference or by using the solder jumper, W1. By default, W1 is soldered, shunting REF to ground. If a reference voltage other than ground is used, the solder must be removed from W1 before driving REF with the reference voltage as shown in Figure 4.

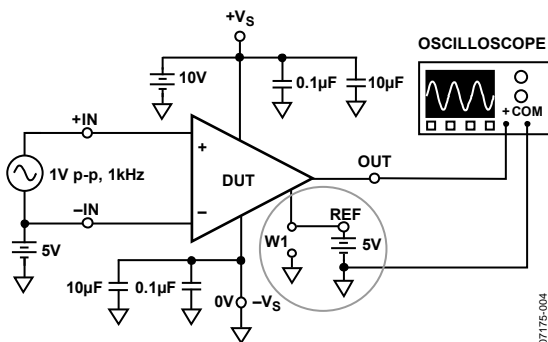


Figure 4. Using an External Voltage Source to Set the Reference Level (Circled)

INPUT

The in-amp inputs should not be left floating, that is, without a DC return path. This often occurs when the inputs are connected to a transformer, a thermocouple, or a pair of series capacitors. The inputs should have a dc path to ground, as shown in Figure 4 and Figure 5.

The circuit shown in Figure 5 has series capacitors, C1 and C2, between the signal generator and the input. The series capacitors prevent a dc current from flowing into the input transistors of the instrumentation amplifier. Two matched 10 kΩ resistors are used between the instrumentation amplifier inputs and ground to provide the necessary current path. These resistors should be closely matched to reduce offset and CMRR errors.

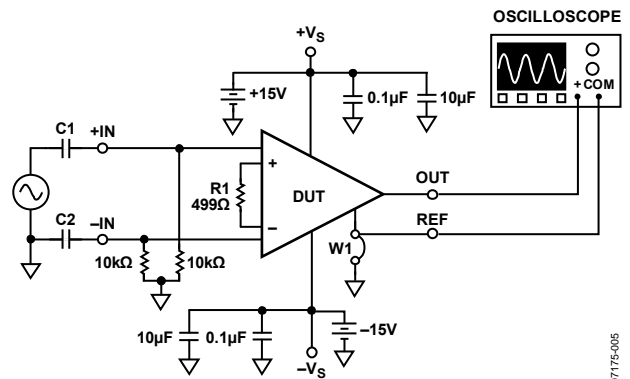


Figure 5. AC Input Coupling, Using a Resistive DC Return Path

OUTPUT

Output measurements should be made by monitoring the voltage between the OUT and REF tie points of the board as shown in Figure 6. If an external voltage reference is used, the output can be measured, referred to ground, as shown in Figure 4. The evaluation board offers an SMA/SMB outline. By default, the output voltage measured using an SMA/SMB connector is with respect to ground.

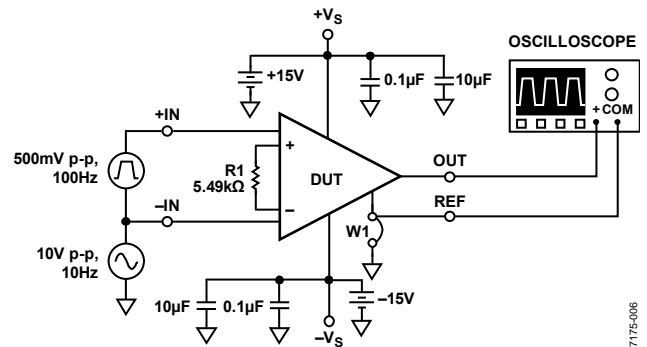


Figure 6. Correct Output Connection Using the REF Pin

EVAL-INAMP-62RZ/82RZ/82RMZ

ORDERING GUIDE

Model	Description
EVAL-INAMP-62RZ ¹	AD620 Series SOIC Evaluation Board
EVAL-INAMP-82RZ ¹	AD8220 Series SOIC Evaluation Board
EVAL-INAMP-82RMZ ¹	AD8220 Series MSOP Evaluation Board

¹ Z = RoHS Compliant Part.

ESD CAUTION



ESD (electrostatic discharge) sensitive device.

Charged devices and circuit boards can discharge without detection. Although this product features patented or proprietary protection circuitry, damage may occur on devices subjected to high energy ESD. Therefore, proper ESD precautions should be taken to avoid performance degradation or loss of functionality.