

FEATURES

- High performance, in-plane roll rate gyroscope**
- Temperature compensated, high precision offset and sensitivity performance**
- 2°/sec rms maximum gyroscope noise**
- Serial port interface (SPI) digital output with 16-bit data word**
- <20 mA quiescent current consumption**
- 3.3 V and 5 V operation**
- −40°C to +105°C temperature range**
- 16-lead SOIC_CAV surface-mount package for in-plane roll rate sensing**
- AEC-Q100 qualified for automotive applications**

APPLICATIONS

- Rollover detection**

GENERAL DESCRIPTION

The ADXRS910 is a high performance in-plane gyroscope, designed for automotive rollover detection applications. The ADXRS910 also has an internal temperature sensor that is used to compensate offset and sensitivity performance, providing excellent stability over the −40°C to +105°C temperature range.

The gyroscope provides a full-scale range of $\pm 300^\circ/\text{sec}$ with a sensitivity of 80 LSB/°/sec. Its resonating disk sensor structure enables angular rate measurement around an in-plane axis. The −3 dB filter corner frequency can be selected to be 27.6 Hz, 51.3 Hz, 109 Hz, or 196.8 Hz. The sensor data output from the device is a 16-bit, two's complement word contained in a 32-bit SPI transaction. SPI communications are compatible up to 10 MHz.

The ADXRS910 is available in a 16-lead inverted SOIC package. The ADXRS910 is specified to operate at 3.3 V and 5 V, with less than 20 mA of current consumption. Its specifications are valid over the −40°C to +105°C temperature range.

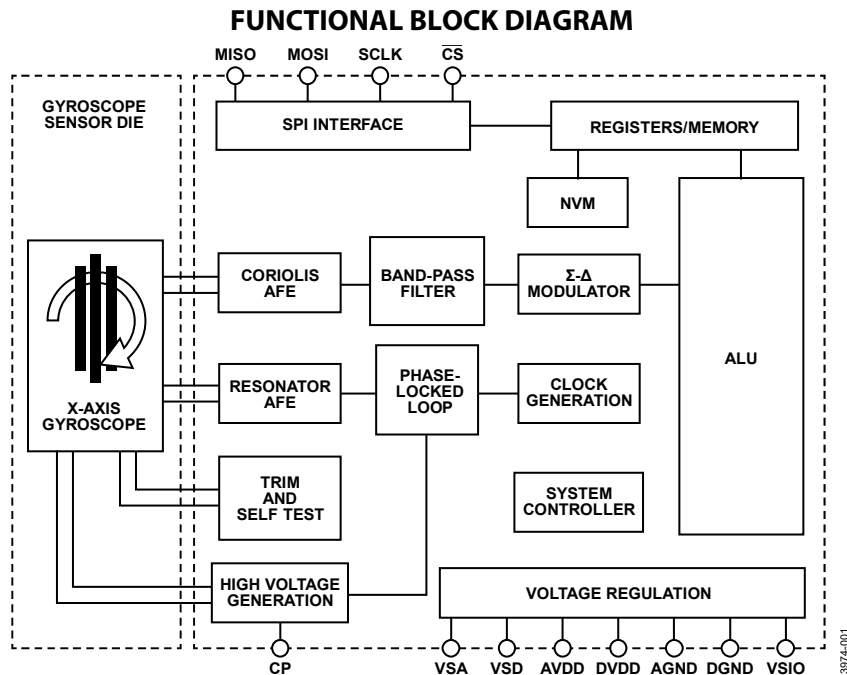


Figure 1.

For more information about the ADXRS910, contact the Analog Devices, Inc., Customer Interaction Center at www.analog.com/technical_support to connect with a technical support specialist.

Rev. SpC

[Document Feedback](#)

Information furnished by Analog Devices is believed to be accurate and reliable. However, no responsibility is assumed by Analog Devices for its use, nor for any infringements of patents or other rights of third parties that may result from its use. Specifications subject to change without notice. No license is granted by implication or otherwise under any patent or patent rights of Analog Devices. Trademarks and registered trademarks are the property of their respective owners.

One Technology Way, P.O. Box 9106, Norwood, MA 02062-9106, U.S.A.
 Tel: 781.329.4700 ©2016–2020 Analog Devices, Inc. All rights reserved.
[Technical Support](#) www.analog.com

NOTES