

Omnidirectional Back Electret Condenser Microphone Cartridge

WM-64PN

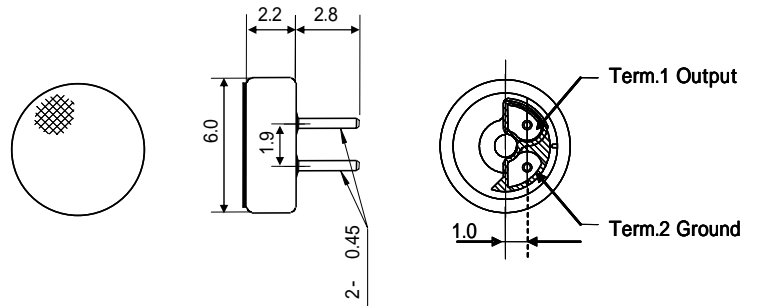
Small and thin omnidirectional microphone
 Pin type for connector connection or direct-in to PCB
 Back electret type designed for high resistance to vibrations
 RFI protected for Dual band
 10pF, 33pF capacitor inside

Appearance

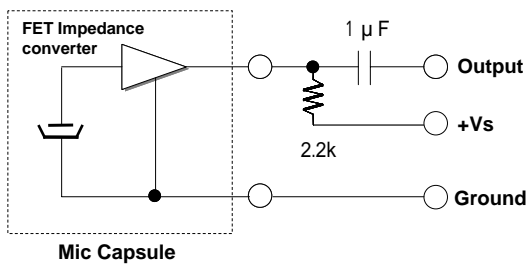


Dimensional Drawing

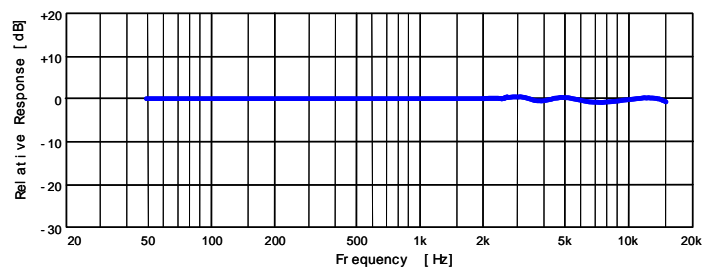
Unit : mm



Schematic Diagram



Typical Frequency Response Curve



Sensitivity

(0dB=1V/Pa, 1kHz)

Sensitivity
-44+/- -3dB

Model No.
WM-64PNT

Vs=2.0V
RL=2.2k

Specifications

Dimensions	6 x 2.2 mm
Impedance	Less than 2.2k
Directivity	Omnidirectional
Frequency	20-16,000Hz
Max operation voltage	10V
Standard operation voltage	2V
Current consumption	Max 0.5mA
Sensitivity reduction	Within -3dB at 1.5V
S/N ratio	More than 58dB

Specifications are subject to change without notice.

Panasonic Corporation