

# TrueTouch<sup>®</sup> Multi-Touch All-Points Touchscreen Controller

## Features

- Multi-touch capacitive touchscreen controller
  - 32-bit ARM Cortex™ CPU
  - Register configurable
  - Noise suppression technologies for battery charger and display
    - Effective 28-V TX drive for higher signal-to-noise ratio (SNR)
    - ChargerArmor™ for charger noise immunity
    - External display synchronization
  - Water rejection and wet-finger tracking using DualSense™
  - Multi-touch glove with automatic mode switching
    - 10 fingers with thin glove (≤1-mm thickness)
    - 2 fingers with thick glove (≤5-mm thickness)
  - Fingernail tracking
  - Large object rejection
  - Automatic baseline tracking to environmental changes
  - Low-power look-for-touch mode
  - Field upgrades via bootloader
  - Android™ driver support
  - Cypress Manufacturing Test Kit (MTK)
  - Touchscreen sensor self-test and Panel ID reporting
- System performance (configuration dependent)
  - Screen sizes up to 8.3-inch diagonal
    - 5-mm sensor pitch, 16:9 aspect ratio
  - Screen sizes up to 5.3-inch diagonal
    - 3.2-mm sensor pitch, 16:9 aspect ratio
  - Up to 58 sense pins
    - 777 intersections (21 × 37)
  - Reports up to 10 fingers
  - Small finger support down to 4 mm
- Large finger support up to 30 mm
- Refresh rate up to 230 Hz
- TX frequency up to 500 kHz
- Fast first-touch response (≤13 ms)
- Best-in-class charger noise immunity
  - Immunity up to 20 volts peak-to-peak (V<sub>PP</sub>)
  - Immunity to AT&T Zero charger noise
- Power (configuration dependent)
  - 1.71-V to 5.5-V digital and I/O supply
  - 2.65-V to 5.5-V analog supply
  - 8.5-mW average power
  - 15-μW typical deep-sleep power
- Sensor and system design (configuration dependent)
  - Supports a variety of touchscreen sensors and stackups
    - Manhattan, Diamond, Single Layer Independent Multi-touch (SLIM<sup>®</sup>), and Totem-pole patterns
    - Sensor-on-lens (SOL)
    - Touch-integrated display modules (on-cell, in-cell)
    - Plastic (PET) and glass sensor substrates
    - LCD, AMOLED, and IPS displays
    - Metal mesh
  - Single-layer flexible printed circuit (FPC) routing enabled by flexible TX/RX configurations
- Communication interface
  - I<sup>2</sup>C slave at all standard bit rates
    - 100 kbps, 400 kbps, 1 Mbps, and 3.4 Mbps
  - SPI slave bit rates up to 8 Mbps
- Package options
  - 56-pin 6 × 6 × 0.6-mm QFN (0.35-mm lead pitch)
  - 70-ball 5.5 × 5.5 × 0.6-mm BGA (0.5-mm ball pitch)

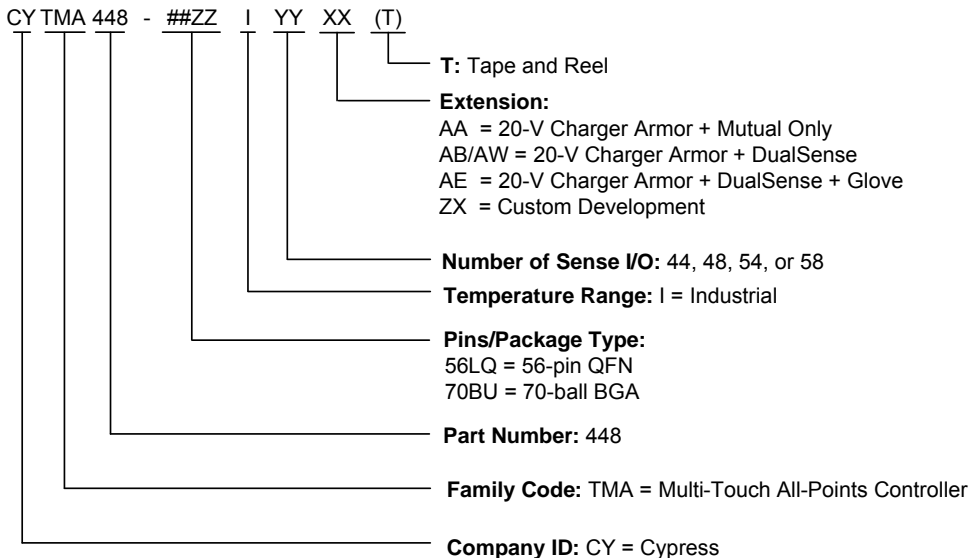
**Ordering Information**

Table 1 lists the CYTMA448 TrueTouch touchscreen controllers. For information on other TrueTouch families, visit <http://www.cypress.com/truetouch>.

**Table 1. Device Ordering Information<sup>[1]</sup>**

Segmentation	Part Number	Ext	Sense I/O	Typ Screen Size (inches)	Charger Armor	Configurable TX Slew rate
Base Part (Mutual Capacitance Only)	CYTMA448-56LQI	44AA(T)	44	6.0	✓	✓
	CYTMA448-70BUI	58AA(T)	58	7.9	✓	✓
Water Rejection (DualSense)	CYTMA448-56LQI	44AB(T)	44	6.0	✓	–
	CYTMA448-70BUI	48AB(T)	48	6.5	✓	–
	CYTMA448-70BUI	54AB(T)	54	7.2	✓	–
	CYTMA448-70BUI	58AB(T)	58	7.9	✓	–
	CYTMA448-56LQI	44AW(T)	44	6.0	✓	✓
	CYTMA448-70BUI	48AW(T)	48	6.5	✓	✓
	CYTMA448-70BUI	54AW(T)	54	7.2	✓	✓
	CYTMA448-70BUI	58AW(T)	58	7.9	✓	✓
Glove and Water Rejection (DualSense)	CYTMA448-56LQI	44AE(T)	44	6.0	✓	✓
	CYTMA448-70BUI	54AE(T)	54	7.2	✓	✓
	CYTMA448-70BUI	58AE(T)	58	7.9	✓	✓
Custom / Kits	CYTMA448-56LQI	44ZX(T)	44	6.0	✓	✓
	CYTMA448-70BUI	58ZX(T)	58	7.9	✓	✓

**Ordering Code Definitions**



**Notes**

1. All devices have the following base features: 10-V TX, CapSense Buttons, Large Object Detection and Rejection, and Grip Suppression.

## Document History Page

Document Title: CYTMA448, TrueTouch® Multi-Touch All-Points Touchscreen Controller Document Number: 001-90890				
Rev.	ECN	Orig. of Change	Submission Date	Description of Change
**	4256331	KXK	01/30/2014	New datasheet.
*A	4392605	SWU	05/28/2014	Updated average power from 12 mW to 8.5 mW to match validated active power.
*B	4399204	SWU	06/04/2014	Added AB MPN.
*C	5284373	ELG	05/26/2016	Removed Windows Phone Support. Revised grammar for charger noise. Aligned charger noise support in order information table with features list. Updated template.

## Sales, Solutions, and Legal Information

### Worldwide Sales and Design Support

Cypress maintains a worldwide network of offices, solution centers, manufacturer's representatives, and distributors. To find the office closest to you, visit us at [Cypress Locations](#).

### Products

ARM® Cortex® Microcontrollers	<a href="http://cypress.com/arm">cypress.com/arm</a>
Automotive	<a href="http://cypress.com/automotive">cypress.com/automotive</a>
Clocks & Buffers	<a href="http://cypress.com/clocks">cypress.com/clocks</a>
Interface	<a href="http://cypress.com/interface">cypress.com/interface</a>
Lighting & Power Control	<a href="http://cypress.com/powerpsoc">cypress.com/powerpsoc</a>
Memory	<a href="http://cypress.com/memory">cypress.com/memory</a>
PSoC	<a href="http://cypress.com/psoc">cypress.com/psoc</a>
Touch Sensing	<a href="http://cypress.com/touch">cypress.com/touch</a>
USB Controllers	<a href="http://cypress.com/usb">cypress.com/usb</a>
Wireless/RF	<a href="http://cypress.com/wireless">cypress.com/wireless</a>

### PSoC® Solutions

[PSoC 1](#) | [PSoC 3](#) | [PSoC 4](#) | [PSoC 5LP](#)

### Cypress Developer Community

[Forums](#) | [Projects](#) | [Video](#) | [Blogs](#) | [Training](#) | [Components](#)

### Technical Support

[cypress.com/support](http://cypress.com/support)

© Cypress Semiconductor Corporation, 2014-2016. This document is the property of Cypress Semiconductor Corporation and its subsidiaries, including Spansion LLC ("Cypress"). This document, including any software or firmware included or referenced in this document ("Software"), is owned by Cypress under the intellectual property laws and treaties of the United States and other countries worldwide. Cypress reserves all rights under such laws and treaties and does not, except as specifically stated in this paragraph, grant any license under its patents, copyrights, trademarks, or other intellectual property rights. If the Software is not accompanied by a license agreement and you do not otherwise have a written agreement with Cypress governing the use of the Software, then Cypress hereby grants you a personal, non-exclusive, nontransferable license (without the right to sublicense) (1) under its copyright rights in the Software (a) for Software provided in source code form, to modify and reproduce the Software solely for use with Cypress hardware products, only internally within your organization, and (b) to distribute the Software in binary code form externally to end users (either directly or indirectly through resellers and distributors), solely for use on Cypress hardware product units, and (2) under those claims of Cypress's patents that are infringed by the Software (as provided by Cypress, unmodified) to make, use, distribute, and import the Software solely for use with Cypress hardware products. Any other use, reproduction, modification, translation, or compilation of the Software is prohibited.

TO THE EXTENT PERMITTED BY APPLICABLE LAW, CYPRESS MAKES NO WARRANTY OF ANY KIND, EXPRESS OR IMPLIED, WITH REGARD TO THIS DOCUMENT OR ANY SOFTWARE OR ACCOMPANYING HARDWARE, INCLUDING, BUT NOT LIMITED TO, THE IMPLIED WARRANTIES OF MERCHANTABILITY AND FITNESS FOR A PARTICULAR PURPOSE. To the extent permitted by applicable law, Cypress reserves the right to make changes to this document without further notice. Cypress does not assume any liability arising out of the application or use of any product or circuit described in this document. Any information provided in this document, including any sample design information or programming code, is provided only for reference purposes. It is the responsibility of the user of this document to properly design, program, and test the functionality and safety of any application made of this information and any resulting product. Cypress products are not designed, intended, or authorized for use as critical components in systems designed or intended for the operation of weapons, weapons systems, nuclear installations, life-support devices or systems, other medical devices or systems (including resuscitation equipment and surgical implants), pollution control or hazardous substances management, or other uses where the failure of the device or system could cause personal injury, death, or property damage ("Unintended Uses"). A critical component is any component of a device or system whose failure to perform can be reasonably expected to cause the failure of the device or system, or to affect its safety or effectiveness. Cypress is not liable, in whole or in part, and you shall and hereby do release Cypress from any claim, damage, or other liability arising from or related to all Unintended Uses of Cypress products. You shall indemnify and hold Cypress harmless from and against all claims, costs, damages, and other liabilities, including claims for personal injury or death, arising from or related to any Unintended Uses of Cypress products.

Cypress, the Cypress logo, Spansion, the Spansion logo, and combinations thereof, PSoC, CapSense, EZ-USB, F-RAM, and Traveo are trademarks or registered trademarks of Cypress in the United States and other countries. For a more complete list of Cypress trademarks, visit [cypress.com](http://cypress.com). Other names and brands may be claimed as property of their respective owners.