

Stacked Coin Type

Series : **F** Low temperature assured product



Features

- Endurance : +85 °C 1000 h
- Category temperature range : -40 °C to +85 °C
- RoHS compliant

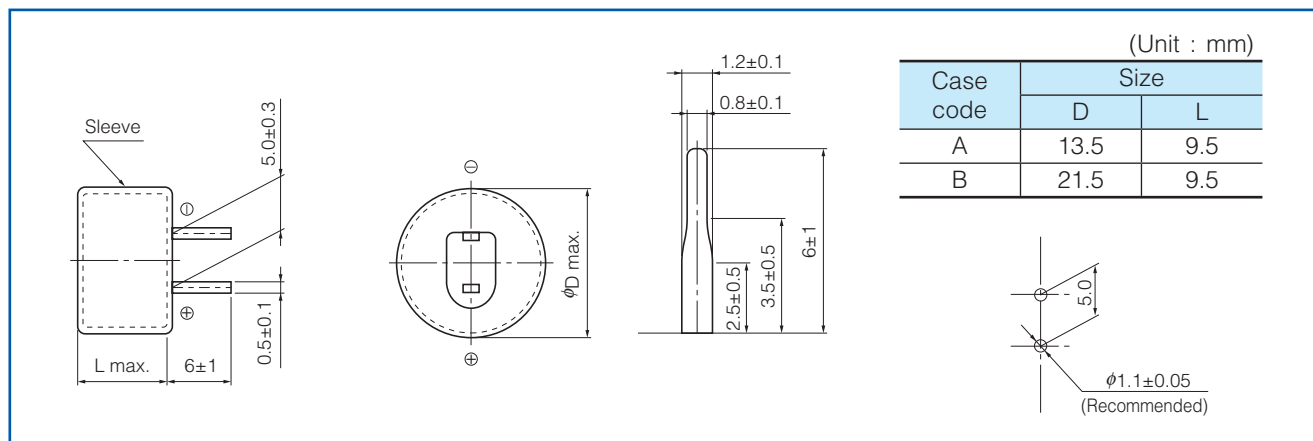
Recommended Applications

- Backup of data/RTC of base station, electronic meter, and industrial equipment

Specifications

Category temp. range	-40 °C to +85 °C	
Maximum operating voltage	5.5 V.DC	
Nominal cap.range	0.1 F to 1.0 F	
Characteristics at low temperature	Capacitance change	±30 % of initial measured value at +20 °C (at -40 °C)
	Internal resistance	≤ 7 times of initial measured value at +20 °C (at -40 °C)
Endurance	After 1000 hours application of 5.5 V.DC at +85 °C, the capacitor shall meet the following limits.	
	Capacitance change	±30 % of initial measured value
Shelf Life	After 1000 hours storage at +85 °C without load, the capacitor shall meet the specified limits for Endurance.	

Dimensions in mm(not to scale)



Characteristics list

Maximum operating voltage (V.DC)	Capacitance (F)	Capacitance tolerance (F)	Internal resistance (Initial specified value) (Ω) at 1 kHz	Recommended discharge current	Parts number	Case code	Mass (Reference value) (g)	Min. packaging q'ty (pcs)
5.5	0.10	0.080 to 0.180	≤ 100	300 μA or less	EECF5R5H104N	A	3.3	200
	0.47	0.376 to 0.846	≤ 75	1 mA or less	EECF5R5H474N	B	10.0	100
	0.68	0.544 to 1.224	≤ 50	1 mA or less	EECF5R5H684N	B	10.0	100
	1.00	0.80 to 1.80	≤ 50	1 mA or less	EECF5R5H105N	B	10.0	100

Note : Do not use reflow soldering. (IR, Atmosphere heating methods, etc.)
Please refer to the page of "Application guidelines".

Stacked Coin Type

Series : F



Features

- Endurance : +85 °C 1000 h
- RoHS compliant

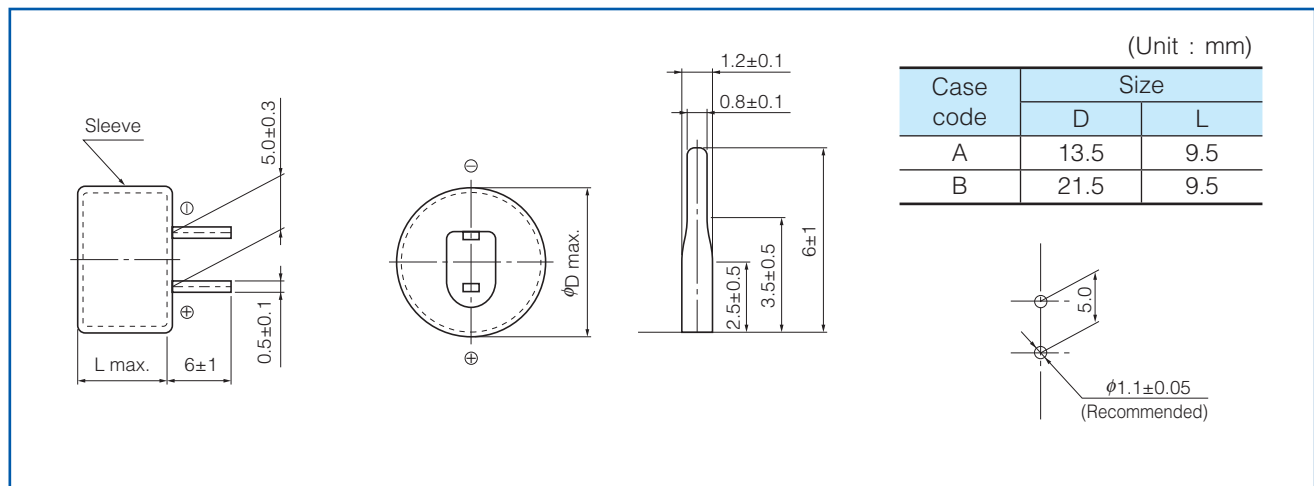
Recommended Applications

- Backup of data/RTC of base station, electronic meter, and industrial equipment

Specifications

Category temp. range	-25 °C to +85 °C	
Maximum operating voltage	5.5 V.DC	
Nominal cap.range	0.1 F to 1.0 F	
Characteristics at low temperature	Capacitance change	±30 % of initial measured value at +20 °C (at -25 °C)
	Internal resistance	≤ 5 times of initial measured value at +20 °C (at -25 °C)
Endurance	After 1000 hours application of 5.5 V.DC at +85 °C, the capacitor shall meet the following limits.	
	Capacitance change	±30 % of initial measured value
Shelf Life	After 1000 hours storage at +85 °C without load, the capacitor shall meet the specified limits for Endurance.	
	Internal resistance	≤ 4 times of initial specified value

Dimensions in mm(not to scale)



Characteristics list

Maximum operating voltage (V.DC)	Capacitance (F)	Capacitance tolerance (F)	Internal resistance (Initial specified value) (Ω) at 1 kHz	Recommended discharge current	Parts number	Case code	Mass (Reference value) (g)	Min. packaging q'ty (pcs)
5.5	0.10	0.080 to 0.180	≤ 100	300 μA or less	EECF5R5H104	A	3.3	200
	0.47	0.376 to 0.846	≤ 75	1 mA or less	EECF5R5H474	B	10.0	100
	0.68	0.544 to 1.224	≤ 50	1 mA or less	EECF5R5H684	B	10.0	100
	1.00	0.80 to 1.80	≤ 50	1 mA or less	EECF5R5H105	B	10.0	100

Note : Do not use reflow soldering. (IR, Atmosphere heating methods, etc.)
Please refer to the page of "Application guidelines".