

10 mm Square GS Encoders

Type: **EVQVX**



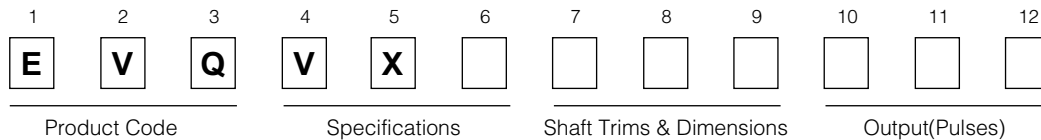
■ Features

- Compact and thin design (Body thickness: 4 mm)
- Good rotational feel
- Supports vertical self-standing mounting onto printed circuit boards

■ Recommended Applications

- Computer peripherals (Mouse)
- Information & communications equipment
- For input devices of measuring instruments and various electronic equipment

■ Explanation of Part Numbers



■ Specifications

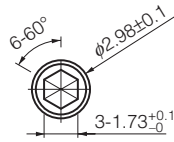
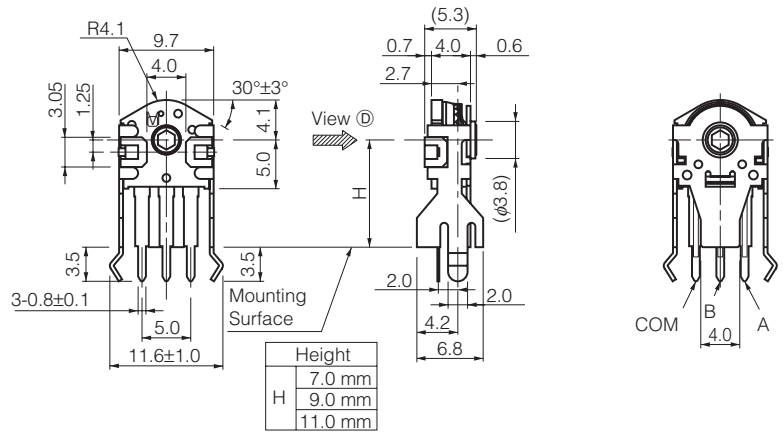
Mechanical	Rotation Angle	360 ° (Endless)
	Rotation Torque	1 mN·m to 10 mN·m
	Detents	24 points
Electrical	Output Signals	Phase A and B
	Resolution	12 pulses/360 °
	Rating	1 mA 10 Vdc (at each bit)
	Contact Resistance	10 Ω max.
	Insulation Resistance	50 MΩ min. (at 50 Vdc)
	Dielectric Withstanding Voltage	50 Vac for 1 minute
	Bouncing	5 ms max.
Endurance	Rotation Life	200000 cycles min.
Minimum Quantity/Packing Unit		300 pcs. (Tray Pack)
Quantity/Carton		3000 pcs.

Design and specifications are each subject to change without notice. Ask factory for the current technical specifications before purchase and/or use. Should a safety concern arise regarding this product, please be sure to contact us immediately.

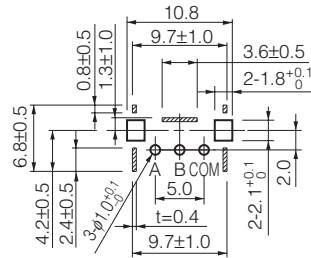
00 Oct. 2012

■ Dimensions in mm (not to scale)

EVQVX



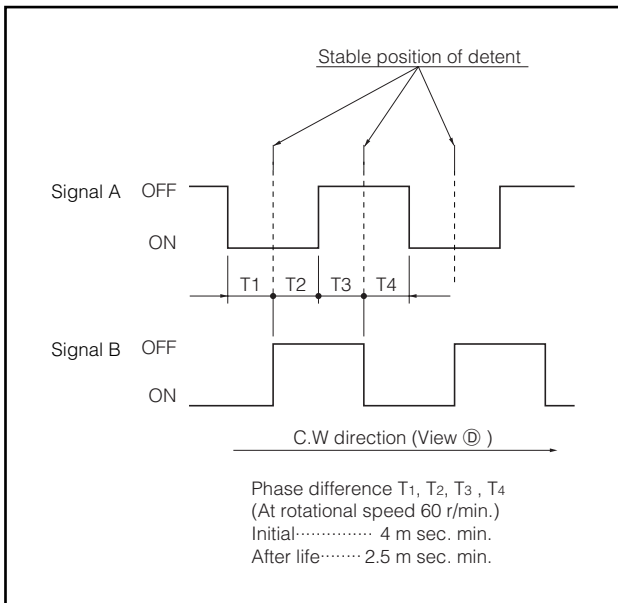
Shaft hole shape and dimension



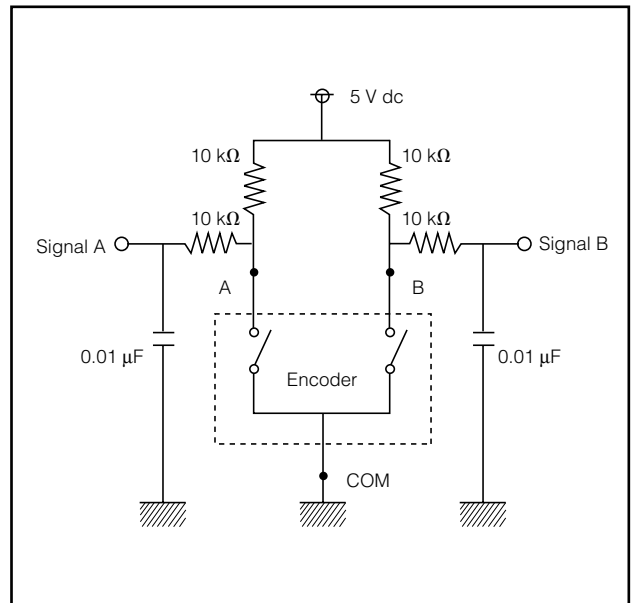
--- Leg position

PWB mounting hole for reference (Tolerance : ±0.1)
(View from mounting side)
(PWB thickness t=1.6)

■ Phase Difference



■ Test Circuit Diagram



Design and specifications are each subject to change without notice. Ask factory for the current technical specifications before purchase and/or use.
Should a safety concern arise regarding this product, please be sure to contact us immediately.