

# LTC4365: High Voltage UV, OV and Reverse Supply Protection Controller

## DESCRIPTION

Demonstration circuit DC1555B is intended to demonstrate the performance of the LTC4365 High Voltage Undervoltage (UV), Overvoltage (OV) and Reverse Supply Protection Controller.

The LTC4365 protects circuits from input voltages that may be too high, too low or negative. It operates by controlling the gates of two back-to-back connected MOSFETs to keep the output in a safe range. The OV and UV protection levels are adjusted by resistive dividers at the OV and UV pins. Asserting the  $\overline{\text{SHDN}}$  pin disables the MOSFETs and places the LTC4365 in a low-current shutdown state. The  $\overline{\text{FAULT}}$  pin is asserted when the Controller is in shutdown mode

or when the input voltage is outside of the UV or OV level.

The LTC4365 can withstand DC voltages between  $-40\text{V}$  and  $60\text{V}$  and has a valid operating range of  $2.5\text{V}$  to  $34\text{V}$ .

The DC1555B includes the LTC4365 Controller, two back-to-back connected power MOSFETs, three jumpers and three LEDs to indicate the input and output voltages and the  $\overline{\text{FAULT}}$  pin signal.

**Design files for this circuit board are available at <http://www.linear.com/demo>**

LT, LT, LTC, LTM, Linear Technology and the Linear logo are registered trademarks of Linear Technology Corporation. All other trademarks are the property of their respective owners.

## PERFORMANCE SUMMARY ( $T_A = 25^\circ\text{C}$ )

SYMBOL	PARAMETER	CONDITIONS	MIN	TYP	MAX	UNITS
$V_{\text{IN}}$	Board Input Voltage Range		-30		30	V
$V_{\text{IN(UVLO)}}$	Input Supply Undervoltage Lockout	$V_{\text{IN}}$ Rising	1.8	2.2	2.4	V
$I_{\text{VIN}}$	Input Supply Current	$\overline{\text{SHDN}} = 0\text{V}$ $\overline{\text{SHDN}} = 2.5\text{V}$		10 25	50 150	$\mu\text{A}$ $\mu\text{A}$
$I_{\text{VIN(R)}}$	Reverse Input Supply Current	$V_{\text{IN}} = -40\text{V}$ , $V_{\text{OUT}} = 0\text{V}$		-1.2	-1.8	mA
$\Delta V_{\text{GATE}}$	External N-Channel Gate Drive ( $\text{GATE} - V_{\text{OUT}}$ )	$V_{\text{IN}} = V_{\text{OUT}} = 5\text{V}$ , $I_{\text{GATE}} = -1\mu\text{A}$ $V_{\text{IN}} = V_{\text{OUT}} = 12\text{V}$ to $34\text{V}$ , $I_{\text{GATE}} = -1\mu\text{A}$	3 7.4	3.6 8.4	4.2 9.8	V V
$I_{\text{GATE(UP)}}$	External N-Channel Gate Pull-Up current	$\text{GATE} = V_{\text{IN}} = V_{\text{OUT}} = 12\text{V}$	-12	-20	-30	$\mu\text{A}$
$I_{\text{GATE(FAST)}}$	External N-Channel Fast Gate Pull-Down Current	Fast Shutdown, $\text{GATE} = 20\text{V}$ , $V_{\text{IN}} = V_{\text{OUT}} = 12\text{V}$	31	50	72	mA
$I_{\text{GATE(SLOW)}}$	External N-Channel Gentle Gate Pull-Down Current	Gentle Shutdown, $\text{GATE} = 20\text{V}$ , $V_{\text{IN}} = V_{\text{OUT}} = 12\text{V}$	50	90	150	$\mu\text{A}$
$V_{\text{UV}}$	UV Input Threshold Voltage	UV Falling $\rightarrow \Delta V_{\text{GATE}} = 0\text{V}$	492.5	500	507.5	mV
$V_{\text{OV}}$	OV Input Threshold Voltage	OV Rising $\rightarrow \Delta V_{\text{GATE}} = 0\text{V}$	492.5	500	507.5	mV
$t_{\text{GATE(FAST)}}$	External N-Channel Fast Gate Turn-Off Delay	$C_{\text{GATE}} = 2.2\text{nF}$ , UV or OV Fault		2	4	$\mu\text{s}$
$t_{\text{FAULT}}$	OV, UV Fault Propagation Delay	Overdrive = $50\text{mV}$ , $V_{\text{IN}} = V_{\text{OUT}} = 12\text{V}$		1	2	$\mu\text{s}$
$V_{\text{SHDN}}$	$\overline{\text{SHDN}}$ Input Threshold	$\overline{\text{SHDN}}$ Falling to $\Delta V_{\text{GATE}} = 0\text{V}$	0.4	0.75	1.2	V

## OPERATING PRINCIPLES

The LTC4365 monitors the input rail voltage and disconnects downstream circuits when the input voltage is too low, too high or negative. The LTC4365 provides accurate overvoltage and undervoltage comparators to ensure that power is applied to the system only if the input supply is within the allowable voltage window. Reverse supply

protection circuit automatically isolates the load from negative input voltages.

During normal operation, a high voltage charge pump enhances the gate of external N-channel power MOSFETs.

The LTC4365 consumes 10 $\mu$ A during shutdown and 125 $\mu$ A while operating.

## QUICK START PROCEDURE

Demonstration circuit 1555B is easy to set up to evaluate the performance of the LTC4365. Refer to Figures 1a and 1b for proper measurement equipment setup and follow the procedure below.

Note that the circuit on the DC1555B is optimized for 12V operation; The Si4230 FET limits overvoltage and reverse voltage to 30V and -30V, respectively. Refer to the LTC4365 data sheet for applications optimized for other voltages.

### Reverse Voltage Tests (Figure 1a)

- 1) Set JP1 to EN.
- 2) Set JP2 and JP3 to CONNECT LED.
- 3) Connect a power supply across  $V_{IN}$  and GND in negative configuration (connect positive rail to GND and negative rail to  $V_{IN}$ ).
- 4) Connect voltmeters at the input and output and ammeter in series with supply.
- 5) Ramp supply down to -30V (referenced to GND).
- 6) Verify output voltage is between 0V and -0.5V, all LEDs are off, and input current is <1.8mA. (FET leakage or other board leakage paths can pull  $V_{OUT}$  slightly negative, but it will be clamped by the internal protection diode.)
- 7) Ramp supply back to 0V.

### Undervoltage/Overvoltage Test (Figure 1b)

- 8) Reverse the polarity of power supply connection across  $V_{IN}$  to GND (connect positive rail to  $V_{IN}$  and negative rail to GND).
- 9) Ramp supply up to 30V and verify green  $V_{IN}$  LED, red  $\overline{\text{FAULT}}$  LED, green  $V_{OUT}$  LED, and  $V_{OUT}$  according to Table 1 within the various voltage ranges.
- 10) Ramp supply down from 30V down to 0V and verify green  $V_{IN}$  LED, red  $\overline{\text{FAULT}}$  LED, green  $V_{OUT}$  LED, and  $V_{OUT}$  according to Table 1.
- 11) Repeat steps 9 and 10 with 8A load connected across  $V_{OUT}$  and GND.

**Table 1**

$V_{IN}$	$V_{OUT}$	$V_{IN}$ LED	$V_{OUT}$ LED	$\overline{\text{FAULT}}$ LED
0V to 5.77V	= 0V	Off/Dim/On	Off	On
6.56V to 13.51V	= $V_{IN}$	On	On	Off
15.47V to 30V	= 0V	On	Off	On

### Jumper Test

- 12) Remove load and set supply to 9V.
- 13) Move jumpers and verify LEDs according to Table 2.

**Table 2**

JP1	JP2/JP3	$V_{IN}$ LED	$V_{OUT}$ LED
EN	CONNECT LED	On	On
DIS	CONNECT LED	On	Off
EN	Open	Off	Off

**QUICK START PROCEDURE**

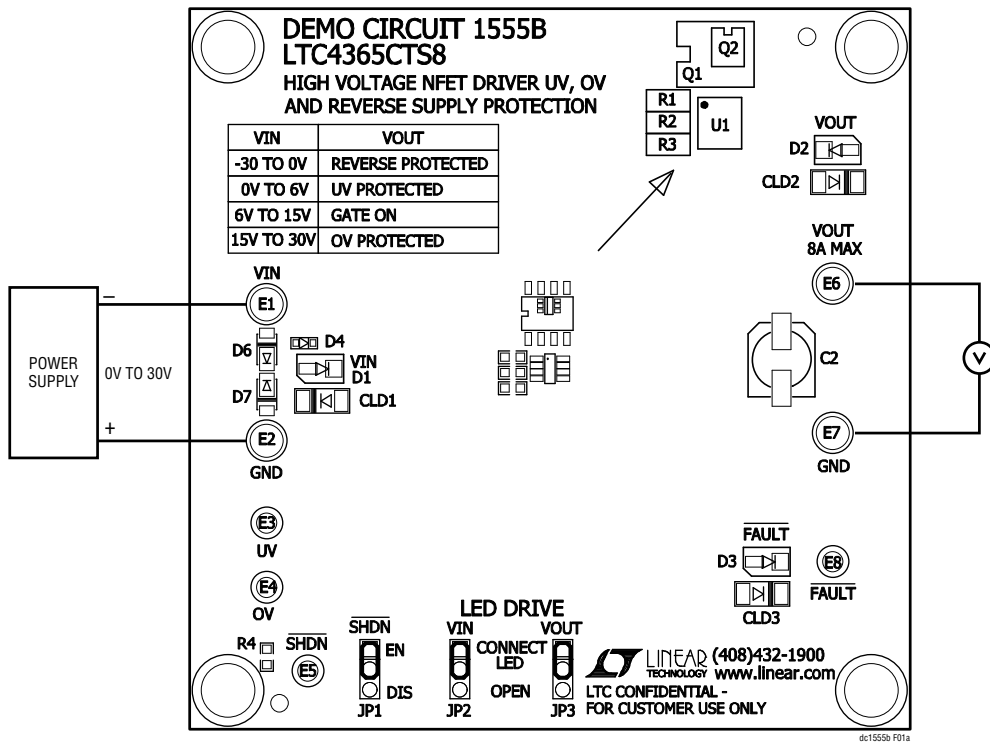


Figure 1a. Reverse Voltage Measurement

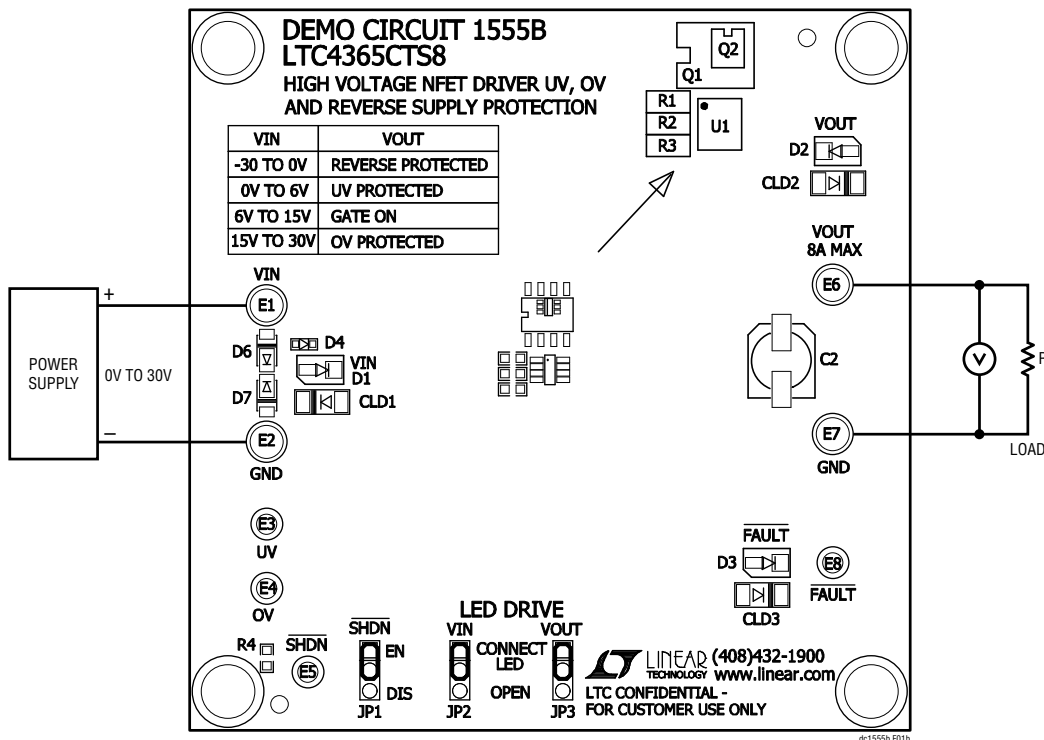


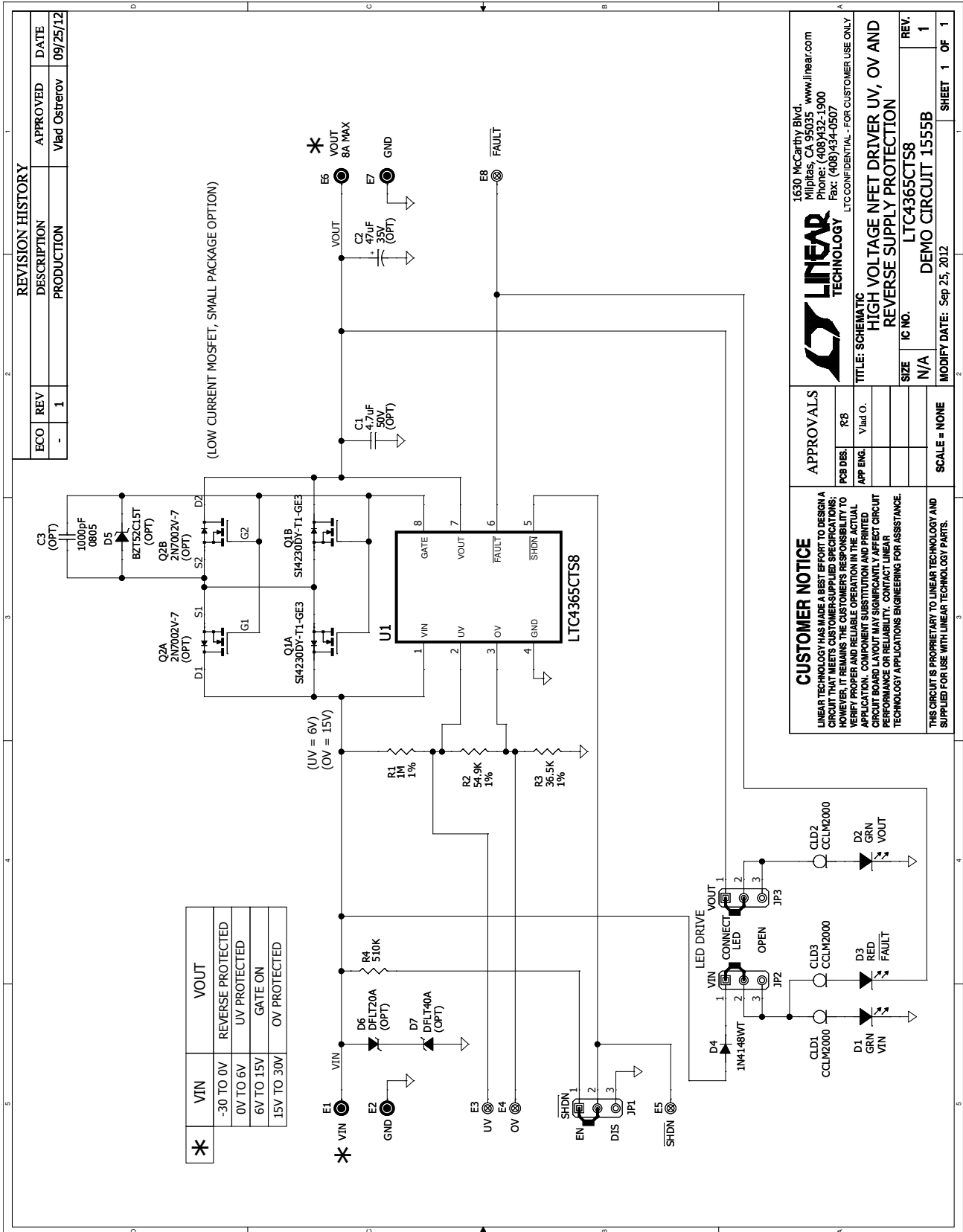
Figure 1b. Undervoltage/Overvoltage Measurement

# DEMO MANUAL DC1555B

## PARTS LIST

ITEM	QUANTITY	REFERENCE	DESCRIPTION	MANUFACTURERS PART NUMBER
<b>Required Circuit Components</b>				
1	3	CLD1, CLD2, CLD3	Current Limiting, Diode, SOD-80	Central Semi. Corporation, CCLM2000
2	0	C1 (OPT)	Capacitor, X5R, 4.7 $\mu$ F, 50V, 20%, 1210	Taiyo Yuden, UMK325BJ475MM-T
3	0	C2 (OPT)	Capacitor, Alum, 47 $\mu$ F, 35V, 10%, OSCON-CE-6.3	Sanyo, 35CE47AX
4	0	C3 (OPT)	Capacitor, X5R, 10 $\mu$ F, 25V, 10%, 1210	Taiyo Yuden, TMK325BJ106KM
5	2	D1, D2	LED, GRN	Panasonic, LN1351CTR
6	1	D3	LED, RED	Panasonic, LN1251CTR
7	1	D4	Diode, 75V/200mW, SOD-523	Diodes Inc., 1N4148WT
8	0	D5 (OPT)	Zener Diode, 15V, SOD-523	Diodes Inc., BZT52C15T #PbF
9	0	D6 (OPT)	Zener Diode, 20V, POWERDI-123	Diodes Inc., DFLT20A #PbF
10	0	D7 (OPT)	Zener Diode, 40V, POWERDI-123	Diodes Inc., DFLT40A #PbF
11	4	E1, E2, E6, E7	Turret, Testpoint 0.094"	Mill Max 2501-2-00-80-00-00-07-0
12	4	E3, E4, E5, E8	Turret, Testpoint 0.063"	Mill Max 2308-2-00-80-00-00-07-0
13	3	JP1, JP2, JP3	Headers, Sgl. Row, 3 Pins, 2mm Ctrs.	Samtec, TMM-103-02-L-S
14	1	Q1	Dual N-Channel, 30V, SO-8	Vishay, SI4230DY-T1-GE3
15	0	Q2 (OPT)	Dual N-Channel, Low Current, SOT-563	Diodes Inc., 2N7002V-7
16	1	R1 (Bal to #1608A)	Resistor, Chip, 1M, 0.06W, 1%, 0603	Vishay, CRCW06031M00FKEA
17	1	R2	Resistor, Chip, 54.9k, 0.06W, 1%, 0603	Vishay, CRCW060354K9FKEA
18	1	R3	Resistor, Chip, 36.5k, 0.06W, 1%, 0603	Vishay, CRCW060336K5FKEA
19	1	R4	Resistor, Chip, 510k, 0.06W, 5%, 0603	Vishay, CRCW0603510KJNEA
20	1	U1	IC, Over/Under/RevV/RevI Protection, SC8	Linear Technology Corporation, LTC4365CTS8
21	3	XJP1, XJP2, XJP3	Shunt, 2mm Ctrs.	Samtec, 2SN-BK-G
22	4		Stand-Off, Nylon, 0.25" Tall	Keystone, 8831(Snap On)

**SCHEMATIC DIAGRAM**



**LINEAR TECHNOLOGY**  
1630 McCarthy Blvd.  
Milpitas, CA 95035 www.linear.com  
Phone: (408)432-1900  
Fax: (408)434-0507  
LTC CONFIDENTIAL - FOR CUSTOMER USE ONLY

**APPROVALS**

PCB DES.	RB
APP ENG.	Vlad O.

**CUSTOMER NOTICE**  
LINEAR TECHNOLOGY HAS MADE A BEST EFFORT TO DESIGN A CIRCUIT THAT MEETS CUSTOMER-SUPPLIED SPECIFICATIONS; HOWEVER, IT REMAINS THE CUSTOMER'S RESPONSIBILITY TO VERIFY PROPER AND RELIABLE OPERATION IN THE ACTUAL APPLICATION. LINEAR TECHNOLOGY CANNOT BE HELD RESPONSIBLE FOR ANY DAMAGE OR LIABILITY THAT MAY BE INCURRED BY THE CUSTOMER'S USE OF THIS CIRCUIT. FOR ASSISTANCE, CONTACT LINEAR TECHNOLOGY APPLICATIONS ENGINEERING FOR ASSISTANCE.

**THIS CIRCUIT IS PROPRIETARY TO LINEAR TECHNOLOGY AND SUPPLIED FOR USE WITH LINEAR TECHNOLOGY PARTS.**

**TITLE: SCHEMATIC**  
**HIGH VOLTAGE NFEET DRIVER UV, OV AND REVERSE SUPPLY PROTECTION**

IC NO. LTC4365CTS8  
REV. 1

SIZE N/A  
MODIFY DATE: Sep 25, 2012  
SCALE = NONE  
SHEET 1 OF 1



Information furnished by Linear Technology Corporation is believed to be accurate and reliable. However, no responsibility is assumed for its use. Linear Technology Corporation makes no representation that the interconnection of its circuits as described herein will not infringe on existing patent rights.

# DEMO MANUAL DC1555B

---

## DEMONSTRATION BOARD IMPORTANT NOTICE

Linear Technology Corporation (LTC) provides the enclosed product(s) under the following **AS IS** conditions:

This demonstration board (DEMO BOARD) kit being sold or provided by Linear Technology is intended for use for **ENGINEERING DEVELOPMENT OR EVALUATION PURPOSES ONLY** and is not provided by LTC for commercial use. As such, the DEMO BOARD herein may not be complete in terms of required design-, marketing-, and/or manufacturing-related protective considerations, including but not limited to product safety measures typically found in finished commercial goods. As a prototype, this product does not fall within the scope of the European Union directive on electromagnetic compatibility and therefore may or may not meet the technical requirements of the directive, or other regulations.

If this evaluation kit does not meet the specifications recited in the DEMO BOARD manual the kit may be returned within 30 days from the date of delivery for a full refund. **THE FOREGOING WARRANTY IS THE EXCLUSIVE WARRANTY MADE BY THE SELLER TO BUYER AND IS IN LIEU OF ALL OTHER WARRANTIES, EXPRESSED, IMPLIED, OR STATUTORY, INCLUDING ANY WARRANTY OF MERCHANTABILITY OR FITNESS FOR ANY PARTICULAR PURPOSE. EXCEPT TO THE EXTENT OF THIS INDEMNITY, NEITHER PARTY SHALL BE LIABLE TO THE OTHER FOR ANY INDIRECT, SPECIAL, INCIDENTAL, OR CONSEQUENTIAL DAMAGES.**

The user assumes all responsibility and liability for proper and safe handling of the goods. Further, the user releases LTC from all claims arising from the handling or use of the goods. Due to the open construction of the product, it is the user's responsibility to take any and all appropriate precautions with regard to electrostatic discharge. Also be aware that the products herein may not be regulatory compliant or agency certified (FCC, UL, CE, etc.).

No License is granted under any patent right or other intellectual property whatsoever. **LTC assumes no liability for applications assistance, customer product design, software performance, or infringement of patents or any other intellectual property rights of any kind.**

LTC currently services a variety of customers for products around the world, and therefore this transaction **is not exclusive**.

**Please read the DEMO BOARD manual prior to handling the product.** Persons handling this product must have electronics training and observe good laboratory practice standards. **Common sense is encouraged.**

This notice contains important safety information about temperatures and voltages. For further safety concerns, please contact a LTC application engineer.

Mailing Address:

Linear Technology  
1630 McCarthy Blvd.  
Milpitas, CA 95035

Copyright © 2004, Linear Technology Corporation