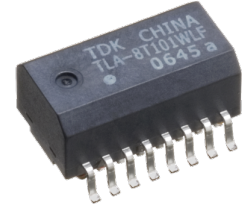


TLA-8T104WLF-T



Applications	for Automotive
Product Type	Modules
Port	1
System	10BASE-T 100BASE-TX
Features	AEC-Q200 AEC-Q200
Series	TLA-8T
Status	Production (Not Recommended for New Design) Recommended Alternate Part No. : ALT4532V-201-T001 (Interchangeability is not guaranteed.)
Brand	TDK



Size	
Length(L)	11.60mm Max.
Width(W)	6.50mm ±0.20mm
Height(H)	5.90mm Max.

Electrical Characteristics	
Turns Ratio	[Rx] 1CT:1CT [Tx] 1CT:1CT
Inductance	350µH Min. at 100kHz, DC bias 8mA
Insertion Loss	1dB Max. [0.1 to 100MHz]
Inter-winding Stray Capacitance	30pF
Withstanding Voltage	1500Vrms 50Hz/1min.

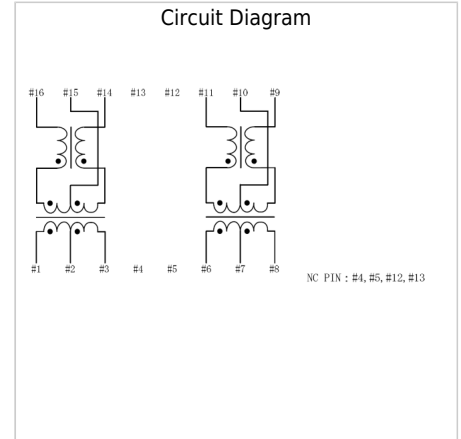
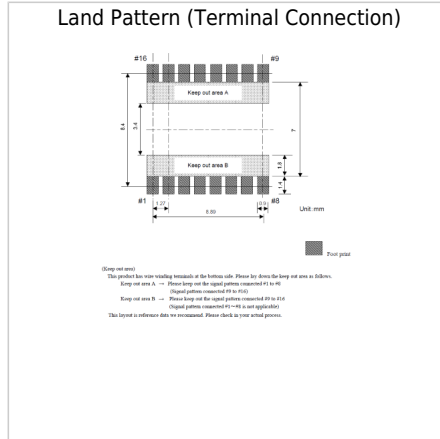
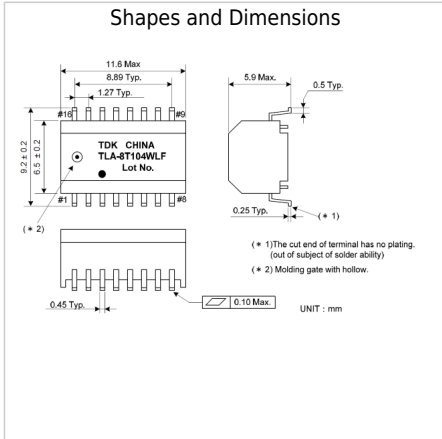
Other	
Operating Temp. Range	-40 to 85°C
AEC-Q200	Yes
Packing	Embossed (Plastic)Taping [330mm Reel, Tape width 24mm]
Package Quantity	1000pcs
Weight	0.6g

! Images are for reference only and show exemplary products.
! This PDF document was created based on the data listed on the TDK Corporation website.
! All specifications are subject to change without notice.

TLA-8T104WLF-T



Associated Images



! Images are for reference only and show exemplary products.
! This PDF document was created based on the data listed on the TDK Corporation website.
! All specifications are subject to change without notice.