

5-Bit Programmable Synchronous Switching Regulator Controller for Pentium® II Processor

FEATURES

- 5-Bit Digitally Programmable 1.8V to 3.5V Fixed Output Voltage
- Provides All Features Required by the *Intel Pentium® II Processor VRM 8.2 DC/DC Converter Specification*
- Flags for Power Good, Over-Temperature and Overvoltage Fault
- 19A Output Current Capability from a 5V or 12V Supply
- Dual N-Channel MOSFET Synchronous Driver
- Initial Output Accuracy: $\pm 1.5\%$
- Excellent Output Accuracy: $\pm 2\%$ Typ Over Line, Load and Temperature Variations
- High Efficiency: Over 95% Possible
- Adjustable Current Limit Without External Sense Resistors
- Fast Transient Response
- Available in 20-Lead SSOP and SW Packages

APPLICATIONS

- Power Supply for Pentium II, SPARC, ALPHA and PA-RISC Microprocessors
- High Power 5V or 12V to 1.8V-3.5V Regulators

DESCRIPTION

The LTC[®]1553 is a high power, high efficiency switching regulator controller optimized for 5V or 12V input to 1.8V-3.5V output applications. It features a digitally programmable output voltage, a precision internal reference and an internal feedback system that provides output accuracy of $\pm 1.5\%$ at room temperature and typically $\pm 2\%$ over-temperature, load current and line voltage shifts. The LTC1553 uses a synchronous switching architecture with two external N-channel output devices, providing high efficiency and eliminating the need for a high power, high cost P-channel device. Additionally, it senses the output current across the on-resistance of the upper N-channel FET, providing an adjustable current limit without an external low value sense resistor.

The LTC1553 free-runs at 300kHz and can be synchronized to a faster external clock if desired. It includes all the inputs and outputs required to implement a power supply conforming to the *Intel Pentium® II Processor VRM 8.2 DC/DC Converter Specification*.

LT, LTC and LT are registered trademarks of Linear Technology Corporation.
 Pentium is a registered trademark of Intel Corporation.

TYPICAL APPLICATION

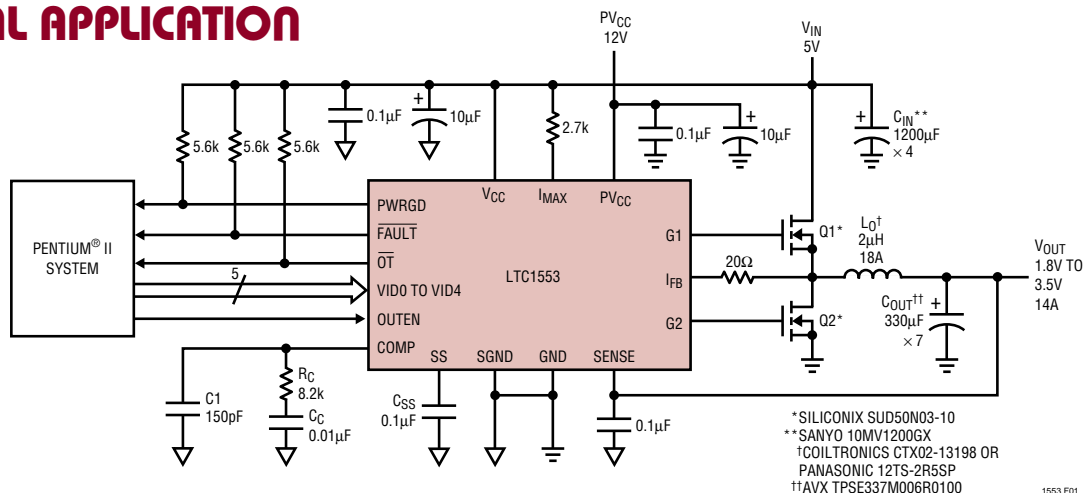


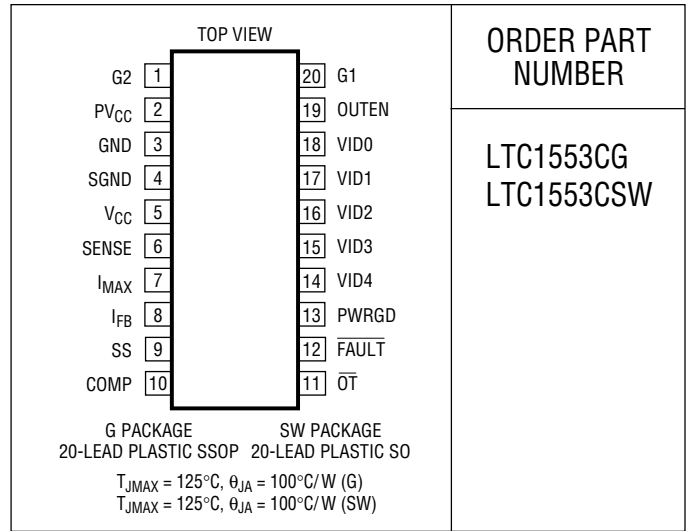
Figure 1. 5V to 1.8V-3.5V Supply Application

ABSOLUTE MAXIMUM RATINGS

(Note 1)

Supply Voltage	
V_{CC}	9V
PV_{CC}	20V
Input Voltage	
I_{FB} (Note 2)	$PV_{CC} + 0.3V$
I_{MAX}	-0.3V to 13V
All Other Inputs	-0.3V to $V_{CC} + 0.3V$
Digital Output Voltage	-0.3V to 13V
I_{FB} Input Current (Notes 2, 3)	-100mA
Operating Temperature Range	0°C to 70°C
Storage Temperature Range	-65°C to 150°C
Lead Temperature (Soldering, 10 sec.)	300°C

PACKAGE/ORDER INFORMATION



ORDER PART NUMBER

LTC1553CG
LTC1553CSW

Consult factory for Industrial and Military grade parts.

ELECTRICAL CHARACTERISTICS $V_{CC} = 5V, PV_{CC} = 12V, T_A = 25^\circ C$, unless otherwise noted. (Note 3)

SYMBOL	PARAMETER	CONDITIONS	MIN	TYP	MAX	UNITS
V_{CC}	Supply Voltage		4.5		8	V
PV_{CC}	Supply Voltage for G1, G2				18	V
V_{FB}	Internal Feedback Voltage	(Note 4)		1.265		V
V_{OUT}	1.8V Initial Output Voltage	With Respect to Rated Output Voltage (Figure 2)	-27 (-1.5%)		27 (+1.5%)	mV
	2.8V Initial Output Voltage		-42 (-1.5%)		42 (+1.5%)	mV
	3.5V Initial Output Voltage		-52 (-1.5%)		52 (+1.5%)	mV
	1.8V Initial Output Voltage		-36 (-2%)		36 (+2%)	mV
	2.8V Initial Output Voltage		-56 (-2%)		56 (+2%)	mV
ΔV_{OUT}	Output Load Regulation	$I_{OUT} = 0$ to 14A (Note 4) (Figure 2)		-5		mV
	Output Line Regulation	$V_{IN} = 4.75V$ to 5.25V, $I_{OUT} = 0$ (Note 4)(Figure 2)		± 1		mV
V_{PWRGD}	Positive Power Good Trip Point	% Above Output Voltage (Figure 2)		5	7	%
	Negative Power Good Trip Point	% Below Output Voltage (Figure 2)	-7	-5		%
V_{FAULT}	FAULT Trip Point	% Above Output Voltage (Figure 2)	12	15	20	%
I_{CC}	Operating Supply Current	OUTEN = $V_{CC} = 5V$ (Note 5) (Figure 3)		800	1200	μA
	Shutdown Supply Current	OUTEN = 0, VID0 to VID4 Floating (Figure 3)		130	250	μA
I_{PVCC}	Supply Current	$PV_{CC} = 12V, OUTEN = V_{CC}$ (Note 6) (Figure 3)		15		mA
		$PV_{CC} = 12V, OUTEN = 0, VID0$ to VID4 Floating		1		μA
f_{OSC}	Internal Oscillator Frequency	(Figure 4)	250	300	350	kHz
V_{SAWL}	V_{COMP} at Minimum Duty Cycle	(Note 4)		1.8		V
V_{SAWH}	V_{COMP} at Maximum Duty Cycle	(Note 4)		2.8		V
G_{ERR}	Error Amplifier Open-Loop DC Gain	(Note 7)	40	53		dB
g_{mERR}	Error Amplifier Transconductance	(Note 7)	0.9	1.6	2.3	millimho
BW_{ERR}	Error Amplifier -3dB Bandwidth	COMP = Open (Note 4)		400		kHz

ELECTRICAL CHARACTERISTICS $V_{CC} = 5V$, $PV_{CC} = 12V$, $T_A = 25^\circ C$, unless otherwise noted. (Note 3)

SYMBOL	PARAMETER	CONDITIONS	MIN	TYP	MAX	UNITS	
I_{MAX}	I_{MAX} Sink Current	$V_{IMAX} = V_{CC}$	●	150	180	220	μA
I_{SS}	Soft Start Source Current	$V_{SS} = 0V$, $V_{IMAX} = 0V$, $V_{IFB} = V_{CC}$	●	-13	-10	-7	μA
I_{SSIL}	Maximum Soft Start Sink Current Under Current Limit	$V_{SENSE} = V_{OUT}$, $V_{IMAX} = V_{CC}$, $V_{IFB} = 0V$ (Notes 8, 9), $V_{SS} = V_{CC}$	●	30	60	150	μA
I_{SSHIL}	Soft Start Sink Current Under Hard Current Limit	$V_{SENSE} = 0V$, $V_{IMAX} = V_{CC}$, $V_{IFB} = 0V$	●	20	45		mA
t_{SSHIL}	Hard Current Limit Hold Time	$V_{SENSE} = 0V$, $V_{IMAX} = 4V$, $V_{IFB} \downarrow$ from 5V (Note 4)			500		μs
t_{PWRGD}	Power Good Response Time \uparrow	$V_{SENSE} \uparrow$ from 0V to Rated V_{OUT}	●	0.5	1	2	ms
t_{PWRBAD}	Power Good Response Time \downarrow	$V_{SENSE} \downarrow$ from Rated V_{OUT} to 0V	●	200	500	1000	μs
t_{FAULT}	\overline{FAULT} Response Time	$V_{SENSE} \uparrow$ from Rated V_{OUT} to V_{CC}	●	200	500	1000	μs
t_{OT}	\overline{OT} Response Time	$OUTEN \downarrow$, $VID0$ to $VID4 = 0$ (Note 10) (Figure 3)	●	15	40	60	μs
V_{OT}	Over-Temperature Trip Point	$OUTEN \downarrow$, $VID0$ to $VID4 = 0$ (Note 10) (Figure 3)	●	1.9	2	2.12	V
V_{OTDD}	Over-Temperature Driver Disable	$OUTEN \downarrow$, $VID0$ to $VID4 = 0$ (Note 10) (Figure 3)	●	1.6	1.7	1.8	V
V_{SHDN}	Shutdown	$OUTEN \downarrow$, $VID0$ to $VID4 = 0$ (Note 10) (Figure 3)	●			0.8	V
t_r , t_f	Driver Rise and Fall Time	(Figure 4)	●		90	150	ns
t_{NOL}	Driver Nonoverlap Time	(Figure 4)	●	30	100		ns
DC_{MAX}	Maximum G1 Duty Cycle	(Figure 4)	●	77	84	88	%
V_{IH}	$VID0$ to $VID4$ Input High Voltage		●	2			V
V_{IL}	$VID0$ to $VID4$ Input Low Voltage		●			0.8	V
R_{IN}	$VID0$ to $VID4$ Internal Pull-Up Resistance		●	10	20		k Ω
I_{SINK}	Digital Output Sink Current		●	10			mA

The ● denotes specifications which apply over the full operating temperature range.

Note 1: Absolute Maximum Ratings are those values beyond which the life of a device may be impaired.

Note 2: When I_{FB} is taken below GND, it will be clamped by an internal diode. This pin can handle input currents greater than 100mA below GND without latchup. In the positive direction, it is not clamped to V_{CC} or PV_{CC} .

Note 3: All currents into device pins are positive; all currents out of the device pins are negative. All voltages are referenced to ground unless otherwise specified.

Note 4: This parameter is guaranteed by correlation and is not tested directly.

Note 5: The LTC1553 goes into the shutdown mode if $VID0$ to $VID4$ are floating. Due to the internal pull-up resistors, there will be an additional 0.25mA/pin if any of the $VID0$ to $VID4$ pins are pulled low.

Note 6: Supply current in normal operation is dominated by the current needed to charge and discharge the external FET gates. This will vary with the LTC1553 operating frequency, supply voltage and the external FETs used.

Note 7: The open-loop DC gain and transconductance from the SENSE pin to COMP pin will be $(G_{ERR})(1.265/3.3)$ and $(g_{mERR})(1.265/3.3)$ respectively.

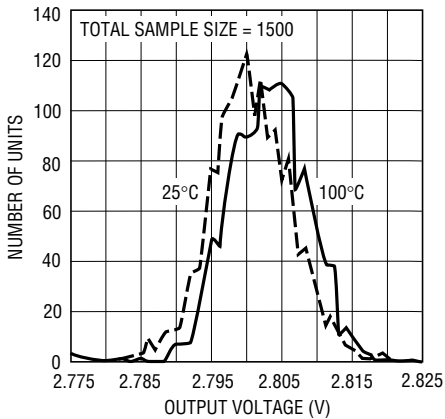
Note 8: The current limiting amplifier can sink but cannot source current. Under normal (not current limited) operation, the output current will be zero.

Note 9: Under typical soft current limit, the net soft start discharge current will be $60\mu A (I_{SSIL}) + [-10\mu A (I_{SS})] = 50\mu A$. The soft start sink-to-source current ratio is designed to be 6:1.

Note 10: When $VID0$ to $VID4$ are all HIGH, the LTC1553 will be forced to shut down internally. The $OUTEN$ trip voltages are guaranteed by design for all other input codes.

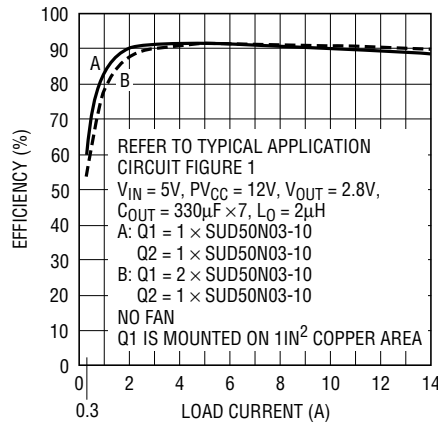
TYPICAL PERFORMANCE CHARACTERISTICS

Typical 2.8V V_{OUT} Distribution



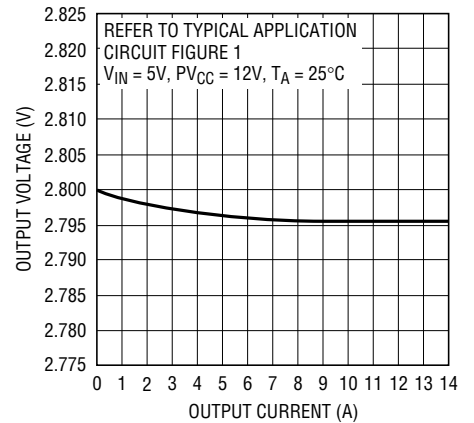
1553 G01

Efficiency vs Load Current



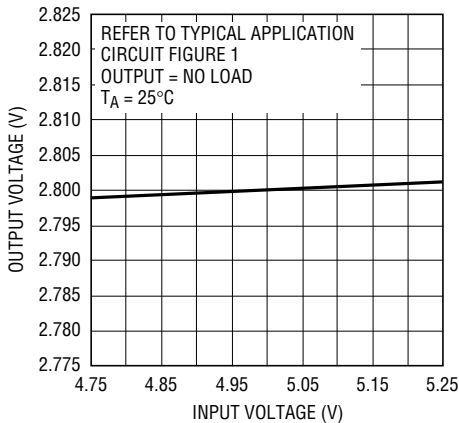
1533 G02

Load Regulation



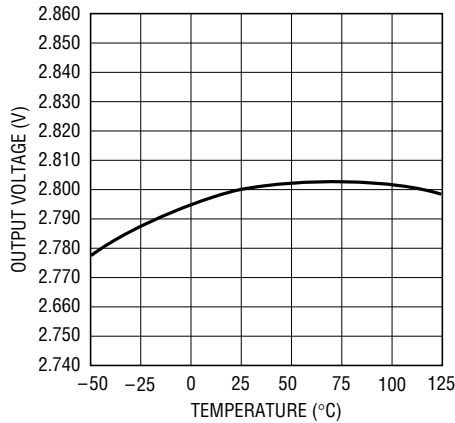
1533 G03

Line Regulation



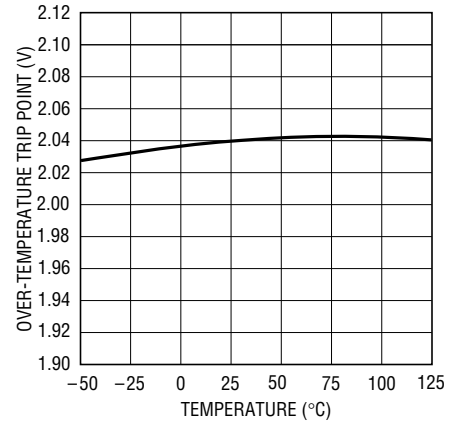
1553 G04

Output Temperature Drift



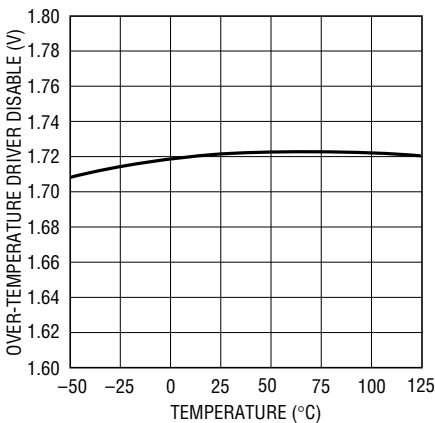
1553 G05

Over-Temperature Trip Point vs Temperature



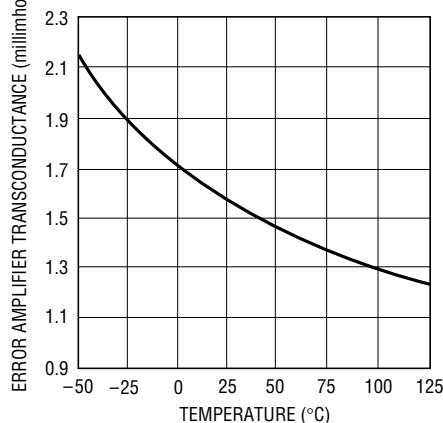
1553 G06

Over-Temperature Driver Disable vs Temperature



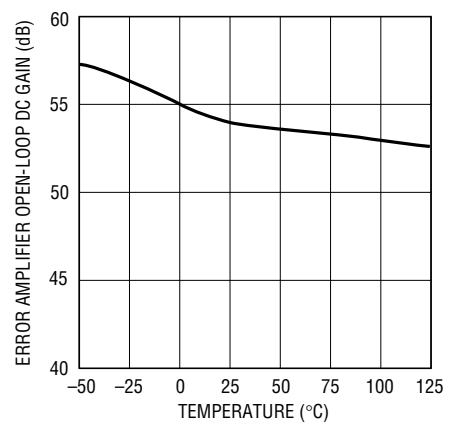
1553 G07

Error Amplifier Transconductance vs Temperature



1553 G08

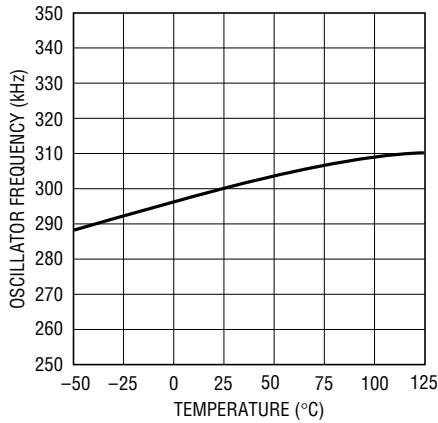
Error Amplifier Open-Loop DC Gain vs Temperature



1553 G09

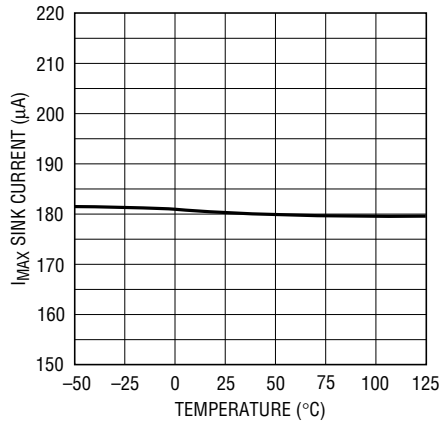
TYPICAL PERFORMANCE CHARACTERISTICS

Oscillator Frequency vs Temperature



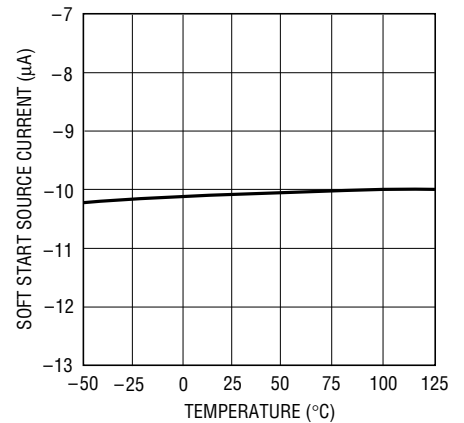
1553 G10

I_{MAX} Sink Current vs Temperature



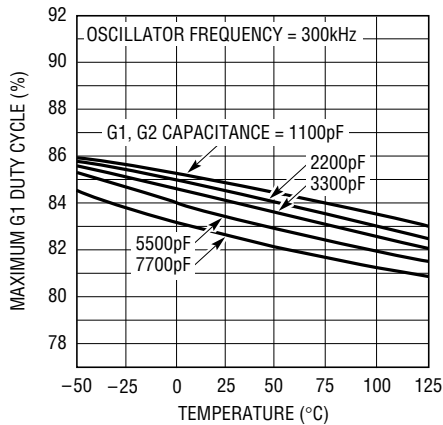
1553 G11

Soft Start Source Current vs Temperature



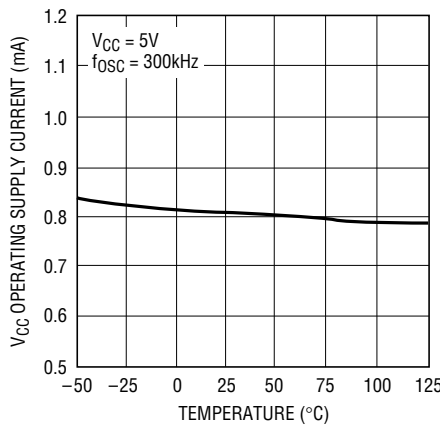
1553 G12

Maximum G1 Duty Cycle vs Temperature



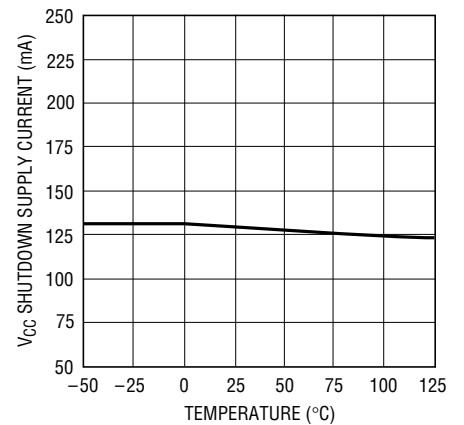
1553 G13

V_{CC} Operating Supply Current vs Temperature



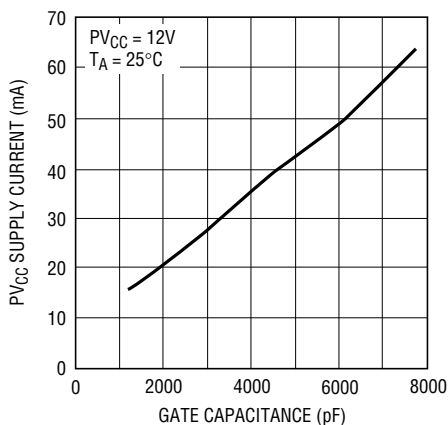
1553 G14

V_{CC} Shutdown Supply Current vs Temperature



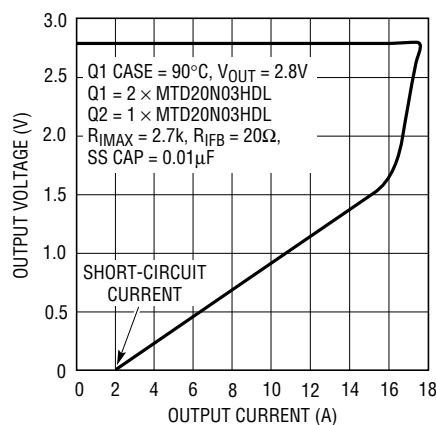
1553 G15

PV_{CC} Supply Current vs Gate Capacitance



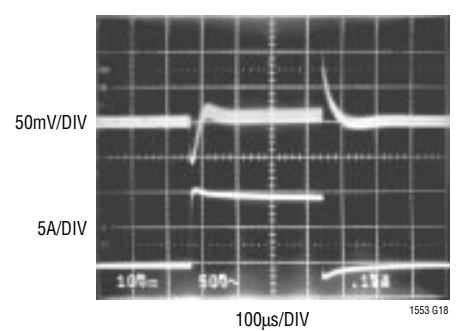
1553 G16

Output Over Current Protection



1553 G17

Transient Response



1553 G18

PIN FUNCTIONS

G2 (Pin 1): Gate Drive for the Lower N-Channel MOSFET, Q2. This output will swing from PV_{CC} to GND. It will always be low when G1 is high or when the output is disabled. To prevent undershoot during a soft start cycle, G2 is held low until G1 first goes high.

PV_{CC} (Pin 2): Power Supply for G1 and G2. PV_{CC} must be connected to a potential of at least $V_{IN} + V_{GS(ON)Q1}$. If $V_{IN} = 5V$, PV_{CC} can be generated using a simple charge pump connected to the switching node between Q1 and Q2 (see Figure 7), or it can be connected to an auxiliary 12V supply if one exists. For applications where $V_{IN} = 12V$, PV_{CC} can be generated using a 17V charge pump (see Figure 9).

GND (Pin 3): Power Ground. GND should be connected to a low impedance ground plane in close proximity to the source of Q2.

SGND (Pin 4): Signal Ground. SGND is connected to the low power internal circuitry and should be connected to the negative terminal of the output capacitor where it returns to the ground plane. GND and SGND should be shorted right at the LTC1553.

V_{CC} (Pin 5): Power Supply. Power for the internal low power circuitry. V_{CC} should be wired separately from the drain of Q1 if they share the same supply. A $10\mu F$ bypass capacitor is recommended from this pin to SGND.

SENSE (Pin 6): Output Voltage Pin. Connect to the positive terminal of the output capacitor. There is an internal $120k\Omega$ resistor connected from this pin to SGND. SENSE is a very sensitive pin; for optimum performance, connect an external $0.1\mu F$ capacitor from this pin to SGND. By connecting a small external resistor between the output capacitor and the SENSE pin, the initial output voltage can be raised slightly. Since the internal divider has a nominal impedance of $120k\Omega$, a 1200Ω series resistor will raise the nominal output voltage by 1%. If an external resistor is used, the value of the $0.1\mu F$ capacitor on the SENSE pin must be greatly reduced or loop phase margin will suffer. Set a time constant for the RC combination of approximately $0.1\mu s$. So, for example, with a 1200Ω resistor, set $C = 83pF$. Use a standard $100pF$ capacitor.

I_{MAX} (Pin 7): Current Limit Threshold. Current limit is set by the voltage drop across an external resistor connected between the drain of Q1 and I_{MAX} . There is a $180\mu A$ internal pull-down at I_{MAX} .

I_{FB} (Pin 8): Current Limit Sense Pin. Connect to the switching node between the source of Q1 and the drain of Q2. If I_{FB} drops below I_{MAX} when G1 is on, the LTC1553 will go into current limit. The current limit circuit can be disabled by floating I_{MAX} and shorting I_{FB} to V_{CC} through an external $10k$ resistor. For $V_{IN} = 12V$, a 15V Zener diode from I_{FB} to GND is recommended to prevent the voltage spike at I_{FB} from exceeding the maximum voltage rating.

SS (Pin 9): Soft Start. Connect to an external capacitor to implement a soft start function. During moderate overload conditions, the soft start capacitor will be discharged slowly in order to reduce the duty cycle. In hard current limit, the soft start capacitor will be forced low immediately and the LTC1553 will rerun a complete soft start cycle. C_{SS} must be selected such that during power-up the current through Q1 will not exceed the current limit value.

COMP (Pin 10): External Compensation. The COMP pin is connected directly to the output of the error amplifier and the input of the PWM comparator. An RC+C network is used at this node to compensate the feedback loop to provide optimum transient response.

\overline{OT} (Pin 11): Over-Temperature Fault. \overline{OT} is an open-drain output and will be pulled low if $OUTEN$ is less than 2V. If $OUTEN = 0$, \overline{OT} pulls low.

\overline{FAULT} (Pin 12): Overvoltage Fault. \overline{FAULT} is an open-drain output. If V_{OUT} reaches 15% above the nominal output voltage, \overline{FAULT} will go low and G1 and G2 will be disabled. Once triggered, the LTC1553 will remain in this state until the power supply is recycled or the $OUTEN$ pin is toggled. If $OUTEN = 0$, \overline{FAULT} floats or is pulled high by an external resistor.

PWRGD (Pin 13): Power Good. This is an open-drain signal to indicate validity of output voltage. A high indicates that the output has settled to within $\pm 5\%$ of the rated output for more than 1ms. PWRGD will go low if the output is out of regulation for more than $500\mu s$. If $OUTEN = 0$, PWRGD pulls low.

PIN FUNCTIONS

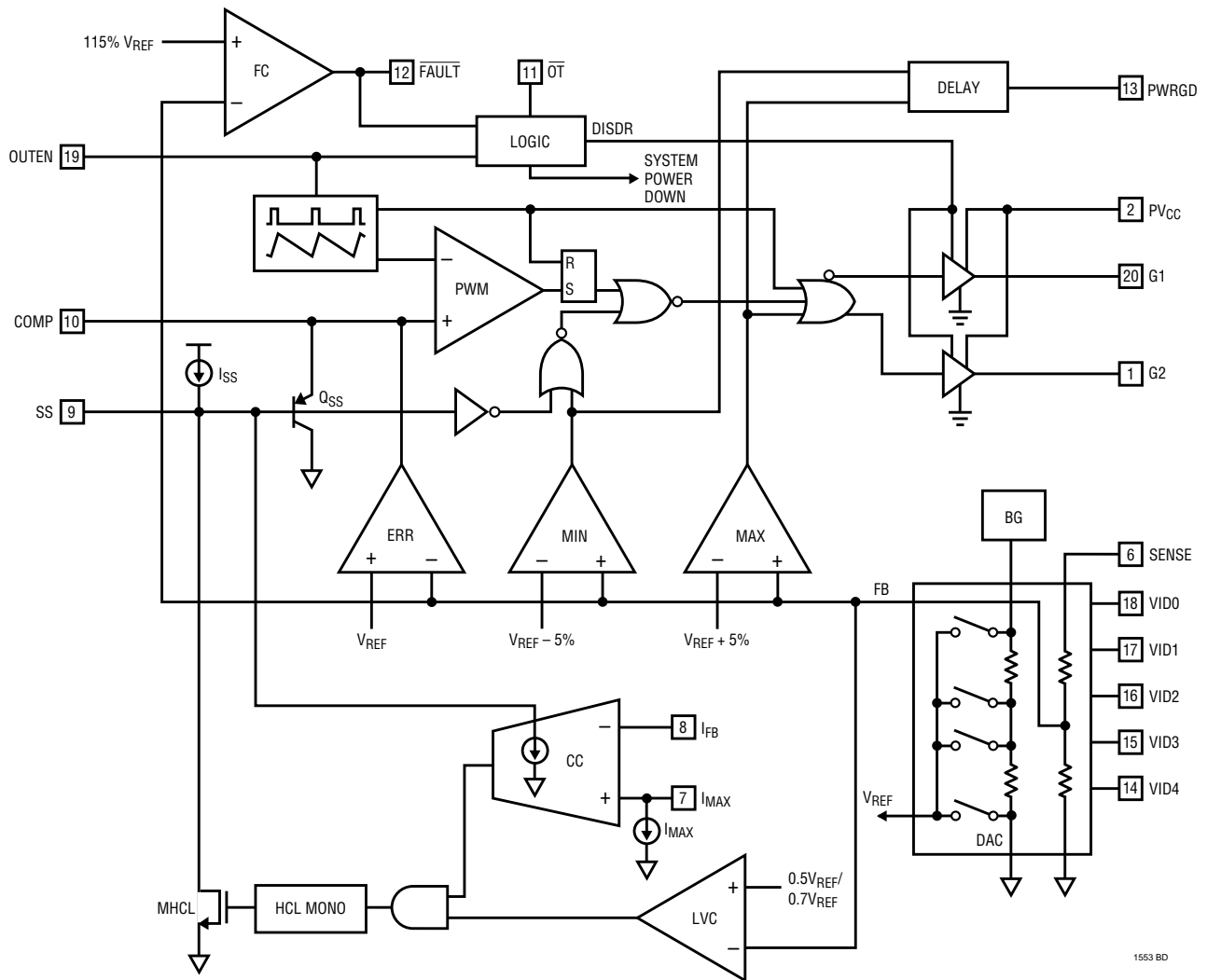
VID0, VID1, VID2, VID3, VID4 (Pins 18, 17, 16, 15, 14): Digital Voltage Select. TTL inputs used to set the regulated output voltage required by the processor (Table 3). There is an internal 20kΩ pull-up at each pin. When all five VID_n pins are high or floating, the chip will shut down.

OUTEN (Pin 19): Output Enable. TTL input which enables the output voltage. The external MOSFET temperature can be monitored with an external thermistor as shown in Figure 13. When the OUTEN input voltage drops below 2V,

\overline{OT} trips. As OUTEN drops below 1.7V, the drivers are internally disabled to prevent the MOSFETs from heating further. If OUTEN is less than 1.2V for longer than 30μs, the LTC1553 will enter shutdown mode. The internal oscillator can be synchronized to a faster external clock by applying the external clocking signal to the OUTEN pin.

G1 (Pin 20): Gate Drive for the Upper N-Channel MOSFET, Q1. This output will swing from PV_{CC} to GND. It will always be low when G2 is high or the output is disabled.

BLOCK DIAGRAM



1553 BD

TEST CIRCUITS

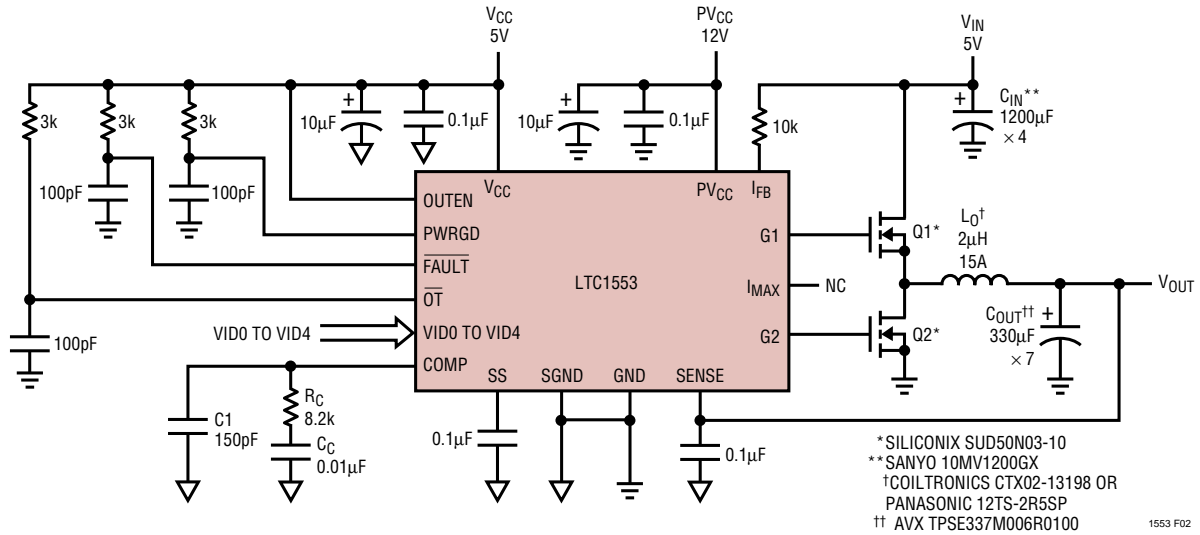


Figure 2

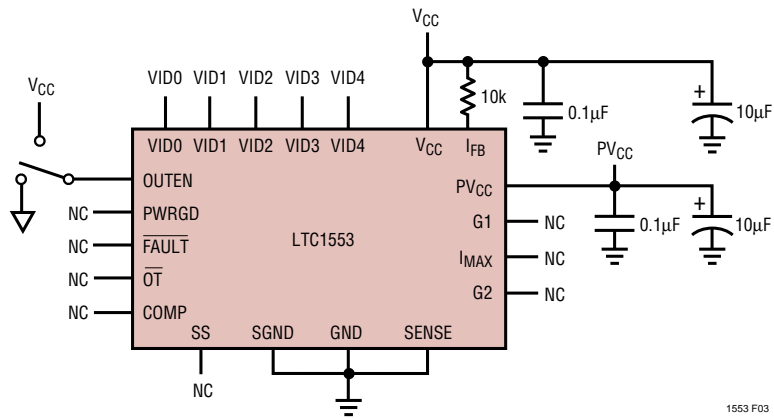


Figure 3

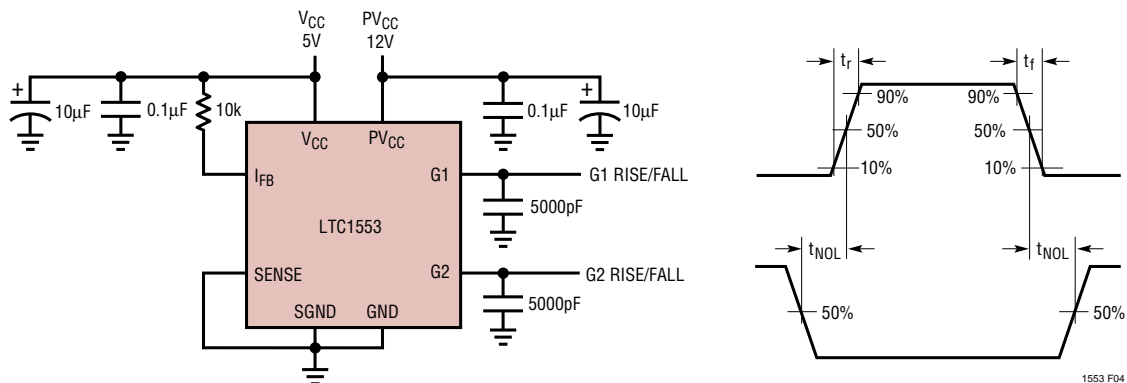


Figure 4

FUNCTION TABLES

Table 1. \overline{OT} Logic

OUTEN (V)	\overline{OT}^*
< 2	0
> 2	1

Table 2. PWRGD and \overline{FAULT} Logic

INPUT		OUTPUT*		
OUTEN	V _{SENSE} **	\overline{OT}	\overline{FAULT}	PWRGD
0	X	0	1	0
1	< 95%	1	1	0
1	> 95% < 105%	1	1	1
1	>105%	1	1	0
1	> 115%	1	0	0

Table 3. Rated Output Voltage

INPUT PIN					RATED OUTPUT VOLTAGE (V)
V _{ID4}	V _{ID3}	V _{ID2}	V _{ID1}	V _{ID0}	
0	1	1	1	1	Disabled† (1.30)
0	1	1	1	0	Disabled† (1.35)
0	1	1	0	1	Disabled† (1.40)
0	1	1	0	0	Disabled† (1.45)
0	1	0	1	1	Disabled† (1.50)
0	1	0	1	0	Disabled† (1.55)
0	1	0	0	1	Disabled† (1.60)
0	1	0	0	0	Disabled† (1.65)
0	0	1	1	1	Disabled† (1.70)
0	0	1	1	0	Disabled† (1.75)

Table 3. Rated Output Voltage (cont)

INPUT PIN					RATED OUTPUT VOLTAGE (V)
V _{ID4}	V _{ID3}	V _{ID2}	V _{ID1}	V _{ID0}	
0	0	1	0	1	1.80
0	0	1	0	0	1.85
0	0	0	1	1	1.90
0	0	0	1	0	1.95
0	0	0	0	1	2.00
0	0	0	0	0	2.05
1	1	1	1	1	SHDN
1	1	1	1	0	2.1
1	1	1	0	1	2.2
1	1	1	0	0	2.3
1	1	0	1	1	2.4
1	1	0	1	0	2.5
1	1	0	0	1	2.6
1	1	0	0	0	2.7
1	0	1	1	1	2.8
1	0	1	1	0	2.9
1	0	1	0	1	3.0
1	0	1	0	0	3.1
1	0	0	1	1	3.2
1	0	0	1	0	3.3
1	0	0	0	1	3.4
1	0	0	0	0	3.5

* With external pull-up resistor

** With respect to the output voltage selected in Table 3 as required by Intel Specification VRM 8.2

† These code selections are disabled in LTC1553

X Don't care

APPLICATIONS INFORMATION

OVERVIEW

The LTC1553 is a voltage feedback, synchronous switching regulator controller (see Block Diagram) designed for use in high power, low voltage step-down (buck) converters. It is designed to satisfy the requirements of the Intel Pentium II power supply specification. It includes an on-chip DAC to control the output voltage, a PWM generator, a precision reference trimmed to $\pm 1\%$, two high power MOSFET gate drivers and all the necessary feedback and control circuitry to form a complete switching regulator circuit.

The LTC1553 includes a current limit sensing circuit that uses the upper external power MOSFET as a current sensing element, eliminating the need for an external sense resistor. Once the current comparator, CC, detects an overcurrent condition, the duty cycle is reduced by discharging the soft start capacitor through a voltage-controlled current source. Under severe overloads or output short circuit conditions, the chip will be repeatedly forced into soft start until the short is removed, preventing the external components from being damaged. Under output overvoltage conditions, the MOSFET drivers will be disabled permanently until the chip power supply is recycled or the OUTEN pin is toggled.

OUTEN can optionally be connected to an external negative temperature coefficient (NTC) thermistor placed near the external MOSFETs or the microprocessor. Three threshold levels are provided internally. When OUTEN drops to 2V, \overline{OT} will trip, issuing a warning to the external CPU. If the temperature continues to rise and the OUTEN input drops to 1.7V, the G1 and G2 pins will be forced low. If OUTEN is pulled below 1.2V, the LTC1553 will go into shutdown mode, cutting the supply current to a minimum. If thermal shutdown is not required, OUTEN can be connected to a conventional TTL enable signal. The free-running 300kHz PWM frequency can be synchronized to a faster external clock connected to OUTEN. Adjusting the oscillator frequency can add flexibility in the external component selection. See the Clock Synchronization section.

Output regulation can be monitored with the PWRGD pin which in turn monitors the internal MIN and MAX comparators. If the output is $\pm 5\%$ beyond the selected value for more than 500 μ s, the PWRGD output will be pulled low. Once the output has settled within $\pm 5\%$ of the selected value for more than 1ms, PWRGD will return high.

THEORY OF OPERATION

Primary Feedback Loop

The regulator output voltage at the SENSE pin is divided down internally by a resistor divider with a total resistance of approximately 120k Ω . This divided down voltage is subtracted from a reference voltage supplied by the DAC output. The resulting error voltage is amplified by the error amplifier and the output is compared to the oscillator ramp waveform by the PWM comparator. This PWM signal controls the external MOSFETs through G1 and G2. The resulting chopped waveform is filtered by L_O and C_{OUT} closing the loop. Loop frequency compensation is achieved with an external RC + C network at the COMP pin, which is connected to the output node of the transconductance amplifier.

MIN, MAX Feedback Loops

Two additional comparators in the feedback loop provide high speed fault correction in situations where the ERR amplifier may not respond quickly enough. MIN compares the feedback signal FB to a voltage 60mV (5%) below the internal reference. If FB is lower than the threshold of this comparator, the MIN comparator overrides the ERR amplifier and forces the loop to full duty cycle which is set by the internal oscillator typically to 84%. Similarly, the MAX comparator forces the output to 0% duty cycle if FB is more than 5% above the internal reference. To prevent these two comparators from triggering due to noise, the MIN and MAX comparators' response times are deliberately controlled so that they take two to three microseconds to respond. These two comparators help prevent extreme output perturbations with fast output transients, while allowing the main feedback loop to be optimally compensated for stability.

APPLICATIONS INFORMATION

Soft Start and Current Limit

The LTC1553 includes a soft start circuit which is used for initial start-up and during current limit operation. The SS pin requires an external capacitor to GND with the value determined by the required soft start time. An internal 10 μ A current source is included to charge the external SS capacitor. During start-up, the COMP pin is clamped to a diode drop above the voltage at the SS pin. This prevents the error amplifier, ERR, from forcing the loop to maximum duty cycle. The LTC1553 will begin to operate at low duty cycle as the SS pin rises above about 1.2V ($V_{COMP} \approx 1.8V$). As SS continues to rise, Q_{SS} turns off and the error amplifier begins to regulate the output. The MIN comparator is disabled when soft start is active to prevent it from overriding the soft start function.

The LTC1553 includes yet another feedback loop to control operation in current limit. Just before every falling edge of G1, the current comparator, CC, samples and holds the voltage drop measured across the external MOSFET, Q1, at the I_{FB} pin. Note that when V_{IN} = 12V, the I_{FB} pin requires an external Zener to GND to prevent voltage transients at the switching node between Q1 and Q2 from damaging internal structures. CC compares the voltage at I_{FB} to the voltage at the I_{MAX} pin. As the peak current rises, the measured voltage across Q1 increases due to the drop across the R_{DS(ON)} of Q1. When the voltage at I_{FB} drops below I_{MAX}, indicating that Q1's drain current has exceeded the maximum level, CC starts to pull current out of the external soft start capacitor, cutting the duty cycle and controlling the output current level. The CC comparator pulls current out of the SS pin in proportion to the voltage difference between I_{FB} and I_{MAX}. Under minor overload conditions, the SS pin will fall gradually, creating a time delay before current limit takes effect. Very short, mild overloads may not affect the output voltage at all. More significant overload conditions will allow the SS pin to reach a steady state, and the output will remain at a reduced voltage until the overload is removed. Serious overloads will generate a large overdrive at CC, allowing it to pull SS down quickly and preventing damage to the output components.

By using the R_{DS(ON)} of Q1 to measure the output current, the current limiting circuit eliminates an expensive discrete sense resistor that would otherwise be required. This helps minimize the number of components in the high current path. Due to switching noise and variation of R_{DS(ON)}, the actual current limit trip point is not highly accurate. The current limiting circuitry is primarily meant to prevent damage to the power supply circuitry during fault conditions. The exact current level where the limiting circuit begins to take effect will vary from unit to unit as the R_{DS(ON)} of Q1 varies.

For a given current limit level, the external resistor from I_{MAX} to V_{IN} can be determined by:

$$R_{I_{MAX}} = \frac{(I_{L_{MAX}})(R_{DS(ON)Q1})}{I_{I_{MAX}}}$$

where,

$$I_{L_{MAX}} = I_{LOAD} + \frac{I_{RIPPLE}}{2}$$

I_{LOAD} = Maximum load current
I_{RIPPLE} = Inductor ripple current

$$= \frac{(V_{IN} - V_{OUT})(V_{OUT})}{(f_{OSC})(L_O)(V_{IN})}$$

f_{OSC} = LTC1553 oscillator frequency = 300kHz

L_O = Inductor value

R_{DS(ON)Q1} = Hot on-resistance of Q1 at I_{LMAX}

I_{I_{MAX}} = Internal 180 μ A sink current at I_{MAX}

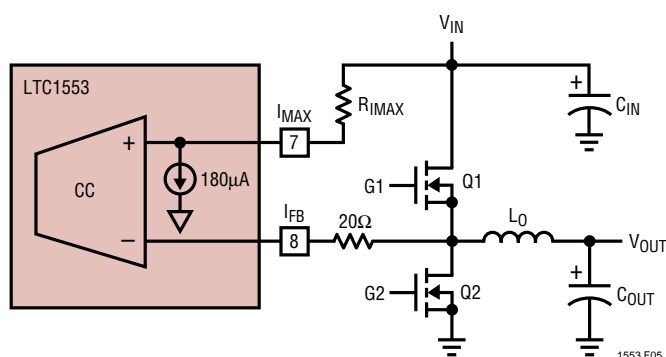


Figure 5. Current Limit Setting

APPLICATIONS INFORMATION

Table 4. Recommended Minimum $R_{I\text{MAX}}$ Resistor ($k\Omega$) vs Maximum Operating Load Current and External MOSFET Q1

MAXIMUM OPERATING LOAD CURRENT (A)	SUD50N03-10	SUD50N03-10 (TWO IN PARALLEL)	MTD20N03HDL	MTD20N03HDL (TWO IN PARALLEL)
12	2.4	1.2	4.3	2.2
14	2.7	1.3	5.1	2.7
16	3.0	1.5	6.2	3.0
18	3.6	1.8	6.8	3.3
20	3.9	2.0	7.5	3.6

OUTEN and Thermistor Input

The LTC1553 includes a low power shutdown mode, controlled by the logic at the OUTEN pin. A high at OUTEN allows the part to operate normally. A low level at OUTEN stops all internal switching, pulls COMP and SS to ground internally and turns Q1 and Q2 off. \overline{OT} and PWRGD are pulled low, and FAULT is left floating. In shutdown, the LTC1553 quiescent current will drop to about $130\mu\text{A}$. The remaining current is used to keep the thermistor sensing circuit at OUTEN alive. Note that the leakage current of the external MOSFETs may add to the total shutdown current consumed by the circuit, especially at elevated temperature.

OUTEN is designed with multiple thresholds to allow it to also be utilized for over-temperature protection. The power MOSFET operating temperature can be monitored with an external negative temperature coefficient (NTC) thermistor mounted next to the external MOSFET which is expected to run the hottest—often the high-side device, Q1. Electrically, the thermistor should form a voltage divider with another resistor, R1, connected to V_{CC} . Their midpoint should be connected to OUTEN (see Figure 6). As the temperature increases, the OUTEN pin voltage is reduced. Under normal operating conditions, the OUTEN pin should stay above 2V. All circuits will function normally, and the \overline{OT} pin will remain in a high state. If the temperature gets abnormally high, the OUTEN pin voltage will eventually drop below 2V. \overline{OT} will switch to a logic low, providing an over-temperature warning to the system. As OUTEN drops below 1.7V, the LTC1553 disables both FET drivers. If

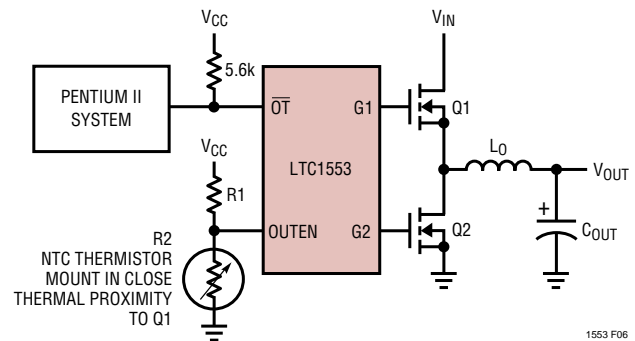


Figure 6. OUTEN Pin as a Thermistor Input

OUTEN is less than 1.2V, the LTC1553 will enter shutdown mode. To activate any of these three modes, the OUTEN voltage must drop below the respective threshold for longer than $30\mu\text{s}$.

Clock Synchronization

The internal oscillator can be synchronized to an external clock by applying the external clocking signal to the OUTEN pin. The synchronizing range extends from the initial operating frequency up to 500kHz. If the external frequency is much higher than the natural free-running frequency, the peak-to-peak sawtooth amplitude within the LTC1553 will decrease. Since the loop gain is inversely proportional to the amplitude of the sawtooth, the compensation network may need to be adjusted slightly. Note that the temperature sensing circuitry does not operate when external synchronization is used.

APPLICATIONS INFORMATION

MOSFET Gate Drive

Power for the internal MOSFET drivers is supplied by PV_{CC} . This supply must be above the input supply voltage by at least one power MOSFET $V_{GS(ON)}$ for efficient operation. This higher voltage can be supplied with a separate supply, or it can be generated using a simple charge pump as shown in Figure 7. The 84% typical maximum duty cycle ensures sufficient off-time to refresh the charge pump during each cycle. Figure 8 shows a tripling charge pump, which provides additional V_{GS} overdrive to the external MOSFETs. This circuit can be useful for standard threshold MOSFETs which demand a higher turn-on voltage. An 18V Zener diode (1N5248B) is recommended with tripler charge pump designs to ensure that PV_{CC} never exceeds the LTC1553's 20V absolute maximum PV_{CC} voltage. This becomes more critical as V_{IN} rises. With $V_{IN} = 12V$, the doubler circuit of Figure 7 will also exceed the 20V limit. Figure 9 shows an alternate 17V charge pump derived from both the 5V and 12V supplies.

If the OUTEN pin is low, G1 and G2 are both held low to prevent output voltage undershoot. As V_{CC} and PV_{CC} power up from a 0V condition, an internal undervoltage lockup circuit prevents G1 and G2 from going high until V_{CC} reaches about 3.5V. If V_{CC} powers up while PV_{CC} is at ground potential, the SS is forced to ground potential internally. SS clamps the COMP pin low and prevents the drivers from turning on. On power-up or recovery from thermal shutdown, the drivers are designed such that G2 is held low until G1 first goes high.

Power MOSFETs

Two N-channel power MOSFETs are required for most LTC1553 circuits. They should be selected based primarily on threshold and on-resistance considerations. The required MOSFET threshold should be determined based on the available power supply voltages and/or the complexity of the gate driver charge pump scheme. In 5V input designs where a 12V supply is used to power PV_{CC} , standard MOSFETs with $R_{DS(ON)}$ specified at $V_{GS} = 5V$ or 6V can be used with good results. However, logic level devices will improve efficiency. The current drawn from the 12V supply varies with the MOSFETs used and the LTC1553 operating frequency, but is generally less than 50mA.

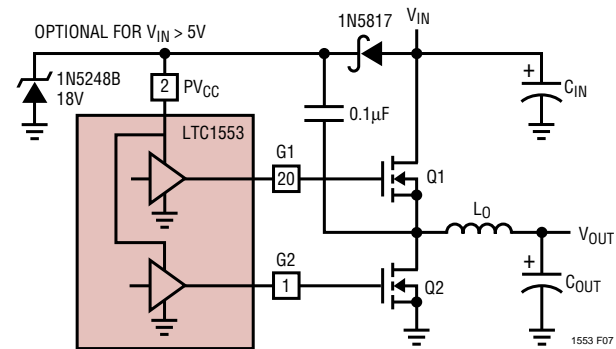


Figure 7. Doubling Charge Pump

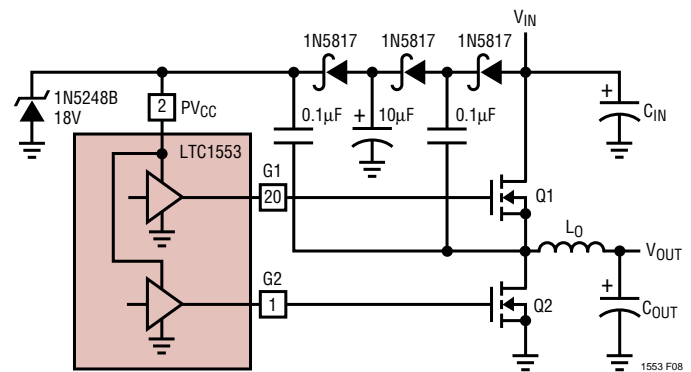


Figure 8. Tripling Charge Pump

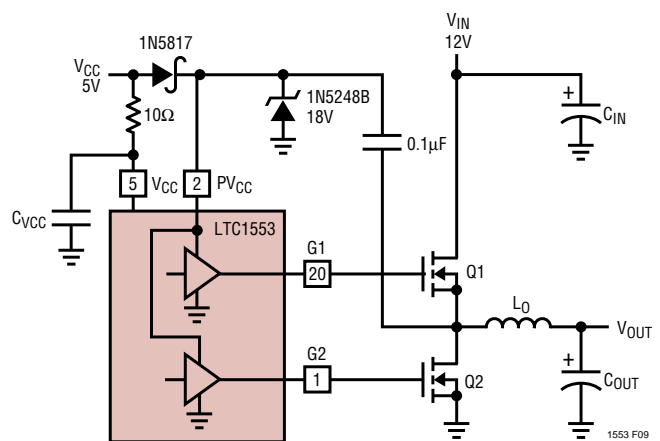


Figure 9. 17V Charge Pump for $V_{IN} = 12V$

APPLICATIONS INFORMATION

The LTC1553 designs that use a 5V V_{IN} voltage and a doubler charge pump to generate PV_{CC} will not provide enough drive voltage to fully enhance standard power MOSFETs. Under this condition, the effective MOSFET $R_{DS(ON)}$ may be quite high, raising the dissipation in the FETs and reducing efficiency. Logic level FETs are a better choice for 5V-only systems as shown in Figure 7 or 12V input systems using the 17V charge pump of Figure 9. They can be fully enhanced with the generated charge pump voltage and will operate at maximum efficiency. Note that doubler charge pump designs running from supplies higher than 5V, and all tripler charge pump designs, should include a Zener clamp diode at PV_{CC} to prevent transients from exceeding the absolute maximum rating at that pin. See the MOSFET Gate Drive section for more charge pump information.

Once the threshold voltage has been selected, $R_{DS(ON)}$ should be chosen based on input and output voltage, allowable power dissipation and maximum required output current. In a typical LTC1553 buck converter circuit the average inductor current is equal to the output load current. This current is always flowing through either Q1 or Q2 with the power dissipation split up according to the duty cycle:

$$DC(Q1) = \frac{V_{OUT}}{V_{IN}}$$

$$DC(Q2) = 1 - \frac{V_{OUT}}{V_{IN}} = \frac{(V_{IN} - V_{OUT})}{V_{IN}}$$

The $R_{DS(ON)}$ required for a given conduction loss can now be calculated by rearranging the relation $P = I^2R$.

$$R_{DS(ON)Q1} = \frac{P_{MAX(Q1)}}{[DC(Q1)](I_{MAX})^2} = \frac{(V_{IN})[P_{MAX(Q1)}]}{(V_{OUT})(I_{MAX})^2}$$

$$R_{DS(ON)Q2} = \frac{P_{MAX(Q2)}}{[DC(Q2)](I_{MAX})^2} = \frac{(V_{IN})[P_{MAX(Q2)}]}{(V_{IN} - V_{OUT})(I_{MAX})^2}$$

P_{MAX} should be calculated based primarily on required efficiency or allowable thermal dissipation. A typical high efficiency circuit designed for Pentium II with a 5V input and a 2.8V, 11.2A output might allow no more than 4% efficiency loss at full load for each MOSFET. Assuming roughly 90% efficiency at this current level, this gives a P_{MAX} value of:

$$[(2.8)(11.2A/0.9)(0.04)] = 1.39W \text{ per FET}$$

and a required $R_{DS(ON)}$ of:

$$R_{DS(ON)Q1} = \frac{(5V)(1.39W)}{(2.8V)(11.2A)^2} = 0.019\Omega$$

$$R_{DS(ON)Q2} = \frac{(5V)(1.39W)}{(5V - 2.8V)(11.2A)^2} = 0.025\Omega$$

Note also that while the required $R_{DS(ON)}$ values suggest large MOSFETs, the dissipation numbers are only 1.39W per device or less—large TO-220 packages and heat sinks are not necessarily required in high efficiency applications. Siliconix Si4410DY or International Rectifier IRF7413 (both in SO-8) or Siliconix SUD50N03 or Motorola MTD20N03HDL (both in D PAK) are small footprint surface mount devices with $R_{DS(ON)}$ values below 0.03 Ω at 5V of gate drive that work well in LTC1553 circuits. With higher output voltages, the $R_{DS(ON)}$ of Q1 may need to be significantly lower than that for Q2. These conditions can often be met by paralleling two MOSFETs for Q1 and using a single device for Q2. Note that using a higher P_{MAX} value in the $R_{DS(ON)}$ calculations will generally decrease MOSFET cost and circuit efficiency while increasing MOSFET heat sink requirements.

APPLICATIONS INFORMATION

Table 5. Recommended MOSFETs for LTC1553 Applications

PARTS	$R_{DS(ON)}$ AT 25°C (mΩ)	RATED CURRENT (A)	TYPICAL INPUT CAPACITANCE C_{ISS} (pF)	θ_{JC} (°C/W)	T_{JMAX} (°C)
Siliconix SUD50N03-10 TO-252	19	15 at 25°C 10 at 75°C	3200	1.8	175
Siliconix Si4410DY SO-8	20	10 at 25°C 8 at 75°C	2700	—	150
Motorola MTD20N03HDL D PAK	35	20 at 25°C 16 at 100°C	880	1.67	150
SGS-Thomson STD20N03L D PAK	23	20 at 25°C 14 at 100°C	2300	2.5	175
Motorola MTB75N03HDL DD PAK	7.5	75 at 25°C 59 at 100°C	4025	1.0	150
IRF IRL3103S DD PAK	14	56 at 25°C 40 at 100°C	1600	1.8	175
IRF IRLZ44 TO-220	28	50 at 25°C 36 at 100°C	3300	1.0	175
Fuji 2SK1388 TO-220	37	35 at 25°C	1750	2.08	150

Note: Please refer to the manufacturer's data sheet for testing conditions and detail information.

Inductor Selection

The inductor is often the largest component in the LTC1553 design and should be chosen carefully. Inductor value and type should be chosen based on output slew rate requirements, output ripple requirements and expected peak current. Inductor value is primarily controlled by the required current slew rate. The maximum rate of rise of current in the inductor is set by its value, the input-to-output voltage differential and the maximum duty cycle of the LTC1553. In a typical 5V input, 2.8V output application, the maximum current slew rate will be:

$$DC_{MAX} \frac{(V_{IN} - V_{OUT})}{L} = \frac{1.83}{L} \frac{A}{\mu s}$$

where L is the inductor value in μH . With proper frequency compensation, the combination of the inductor and output capacitor will determine the transient recovery time. In general, a smaller value inductor will improve transient response at the expense of increased output ripple voltage and inductor core saturation rating. A 2 μH inductor would have a 0.9A/ μs rise time in this application, resulting in a 5.5 μs delay in responding to a 5A load current step. During

this 5.5 μs , the difference between the inductor current and the output current must be made up by the output capacitor, causing a temporary voltage droop at the output. To minimize this effect, the inductor value should usually be in the 1 μH to 5 μH range for most typical 5V input LTC1553 circuits. To optimize performance, different combinations of input and output voltages and expected loads may require different inductor values.

Once the required value is known, the inductor core type can be chosen based on peak current and efficiency requirements. Peak current in the inductor will be equal to the maximum output load current plus half of the peak-to-peak inductor ripple current. Ripple current is set by the inductor value, the input and output voltage and the operating frequency. The ripple current is approximately equal to:

$$I_{RIPPLE} = \frac{(V_{IN} - V_{OUT})(V_{OUT})}{(f_{OSC})(L_O)(V_{IN})}$$

f_{OSC} = LTC1553 oscillator frequency = 300kHz
 L_O = Inductor value

APPLICATIONS INFORMATION

Solving this equation with our typical 5V to 2.8V application with a 2 μ H inductor, we get:

$$\frac{(2.2)(0.56)}{(300\text{kHz})(2\mu\text{H})} = 2A_{\text{P-P}}$$

Peak inductor current at 11.2A load:

$$11.2\text{A} + \frac{2\text{A}}{2} = 12.2\text{A}$$

The ripple current should generally be between 10% and 40% of the output current. The inductor must be able to withstand this peak current without saturating, and the copper resistance in the winding should be kept as low as possible to minimize resistive power loss. Note that in circuits not employing the current limit function, the current in the inductor may rise above this maximum under short circuit or fault conditions; the inductor should be sized accordingly to withstand this additional current. Inductors with gradual saturation characteristics are often the best choice.

Input and Output Capacitors

A typical LTC1553 design puts significant demands on both the input and the output capacitors. During constant load operation, a buck converter like the LTC1553 draws square waves of current from the input supply at the switching frequency. The peak current value is equal to the output load current plus 1/2 peak-to-peak ripple current, and the minimum value is zero. Most of this current is supplied by the input bypass capacitor. The resulting RMS current flow in the input capacitor will heat it up, causing premature capacitor failure in extreme cases. Maximum RMS current occurs with 50% PWM duty cycle, giving an RMS current value equal to $I_{\text{OUT}}/2$. A low ESR input capacitor with an adequate ripple current rating must be used to ensure reliable operation.

Note that capacitor manufacturers' ripple current ratings are often based on only 2000 hours (three months)

lifetime at rated temperature. Further derating of the input capacitor ripple current beyond the manufacturer's specification is recommended to extend the useful life of the circuit. Lower operating temperature will have the largest effect on capacitor longevity.

The output capacitor in a buck converter sees much less ripple current under steady-state conditions than the input capacitor. Peak-to-peak current is equal to that in the inductor, usually 10% to 40% of the total load current. Output capacitor duty places a premium not on power dissipation but on ESR. During an output load transient, the output capacitor must supply all of the additional load current demanded by the load until the LTC1553 can adjust the inductor current to the new value. Output capacitor ESR results in a step in the output voltage equal to the ESR value multiplied by the change in load current. An 11A load step with a 0.05 Ω ESR output capacitor will result in a 550mV output voltage shift; this is 19.6% of the output voltage for a 2.8V supply! Because of the strong relationship between output capacitor ESR and output load transient response, the output capacitor is usually chosen for ESR, not for capacitance value; a capacitor with suitable ESR will usually have a larger capacitance value than is needed for energy storage.

Electrolytic capacitors rated for use in switching power supplies with specified ripple current ratings and ESR can be used effectively in LTC1553 applications. OS-CON electrolytic capacitors from SANYO and other manufacturers give excellent performance and have a very high performance/size ratio for electrolytic capacitors. Surface mount applications can use either electrolytic or dry tantalum capacitors. Tantalum capacitors must be surge tested and specified for use in switching power supplies. Low cost, generic tantalums are known to have very short lives followed by explosive deaths in switching power supply applications. AVX TPS series surface mount devices are popular surge tested tantalum capacitors that work well in LTC1553 applications.

A common way to lower ESR and raise ripple current capability is to parallel several capacitors. A typical LTC1553

APPLICATIONS INFORMATION

application might exhibit 5A input ripple current. SANYO OS-CON part number 10SA220M (220µF/10V) capacitors feature 2.3A allowable ripple current at 85°C; three in parallel at the input (to withstand the input ripple current) will meet the above requirements. Similarly, AVX TPSE337M006R0100 (330µF/6V) have a rated maximum ESR of 0.1Ω; seven in parallel will lower the net output capacitor ESR to 0.014Ω. For low cost application, SANYO MV-GX series of capacitors can be used with acceptable performance.

Feedback Loop Compensation

The LTC1553 voltage feedback loop is compensated at the COMP pin, attached to the output node of the internal g_m error amplifier. The feedback loop can generally be compensated properly with an RC + C network from COMP to GND as shown in Figure 10a.

Loop stability is affected by the values of the inductor, output capacitor, output capacitor ESR, error amplifier transconductance and error amplifier compensation network. The inductor and the output capacitor creates a double pole at the frequency:

$$f_{LC} = \frac{1}{2\pi\sqrt{(L_O)(C_{OUT})}}$$

The ESR of the output capacitor forms a zero at the frequency:

$$f_{ESR} = \frac{1}{2\pi(ESR)(C_{OUT})}$$

The compensation network at the error amplifier output is to provide enough phase margin at the 0dB crossover frequency for the overall closed-loop transfer function. The zero and pole from the compensation network are:

$$f_Z = \frac{1}{2\pi(R_C)(C_C)} \text{ and } f_P = \frac{1}{2\pi(R_C)(C_1)} \text{ respectively.}$$

Figure 10b shows the Bode plot of the overall transfer function.

The compensation value used in this design is based on the following criteria: $f_{SW} = 12f_{CO}$, $f_Z = f_{LC}$ and $f_P = 5f_{CO}$. At the closed-loop frequency f_{CO} , the attenuation due the LC filter and the input resistor divider is compensated by the gain of the PWM modulator and the gain of the error amplifier (g_{mERR})(R_C). Although a mathematical approach to frequency compensation can be used, the added

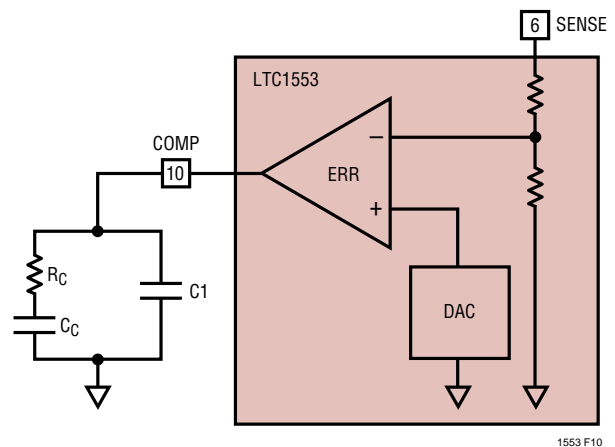


Figure 10a. Compensation Pin Hook-Up

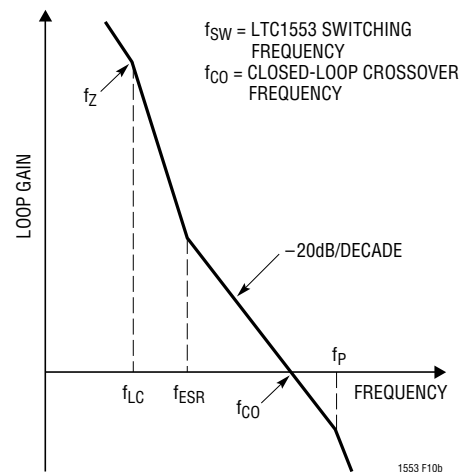


Figure 10b. Bode Plot of the LTC1553 Overall Transfer Function

APPLICATIONS INFORMATION

complication of input and/or output filters, unknown capacitor ESR, and gross operating point changes with input voltage, load current variations, all suggest a more practical empirical method. This can be done by injecting a transient current at the load and using an RC network box to iterate toward the final compensation values, or by obtaining the optimum loop response using a network analyzer to find the actual loop poles and zeros.

Table 6. Suggested Compensation Network for 5V Input Application Using Multiple Paralleled 330 μ F AVX TPS Output Capacitors

L ₀ (μ H)	C ₀ (μ F)	R _C (k Ω)	C _C (μ F)	C1 (pF)
1	990	1.8	0.022	680
1	1980	3.6	0.01	330
1	4950	9.1	0.01	120
2.7	990	5.1	0.01	220
2.7	1980	10	0.01	120
2.7	4950	24	0.0047	47
5.6	990	10	0.01	120
5.6	1980	20	0.0047	56
5.6	4950	51	0.0036	22

Table 7. Suggested Compensation Network for 12V Input Application Using Multiple Paralleled 330 μ F AVX TPS Output Capacitors

L ₀ (μ H)	C ₀ (μ F)	R _C (k Ω)	C _C (μ F)	C1 (pF)
1	990	0.82	0.047	1500
1	1980	1.5	0.033	820
1	4950	3.9	0.022	330
2.7	990	2.2	0.033	560
2.7	1980	4.3	0.022	270
2.7	4950	10	0.01	120
5.6	990	4.3	0.022	270
5.6	1980	8.2	0.010	150
5.6	4950	22	0.010	56

Tables 6 and 7 show the suggested compensation components for 5V and 12V input applications based on the inductor and output capacitor values. The values were calculated using multiple paralleled 330 μ F AVX TPS series surface mount tantalum capacitors as the output capacitor. The optimum component values might deviate from

the suggested values slightly because of board layout and operating condition differences.

An alternate output capacitor is the Sanyo MV-GX series. Using multiple parallel 1500 μ F Sanyo MV-GX capacitors for the output capacitor, Table 8 shows the suggested compensation component value for a 5V input application based on the inductor and output capacitor values.

Table 8. Suggested Compensation Network for 5V Input Application Using Multiple Paralleled 1500 μ F SANYO MV-GX Output Capacitors

L ₀ (μ H)	C ₀ (μ F)	R _C (k Ω)	C _C (μ F)	C1 (pF)
1	4500	4.3	0.022	270
1	6000	5.6	0.0047	220
1	9000	8.2	0.01	150
2.7	4500	11	0.01	100
2.7	6000	15	0.01	82
2.7	9000	22	0.01	56
5.6	4500	24	0.01	56
5.6	6000	30	0.0047	39
5.6	9000	47	0.0047	27

VID0 to VID4, PWRGD and FAULT

The digital inputs (VID0 to VID4) program the internal DAC which in turn controls the output voltage. These digital input controls are intended to be static and are not designed for high speed switching. Forcing V_{OUT} to step from a high to a low voltage by changing the VID_n pins quickly can cause FAULT to trip.

Figure 11 shows the relationship between the V_{OUT} voltage, PWRGD and FAULT. To prevent PWRGD from interrupting the CPU unnecessarily, the LTC1553 has a built-in t_{PWRBAD} delay to prevent noise at the SENSE pin from toggling PWRGD. The internal time delay is designed to take about 500 μ s for PWRGD to go low and 1ms for it to recover. Once PWRGD goes low, the internal circuitry watches for the output voltage to exceed 115% of the rated voltage. If this happens, FAULT will be triggered. Once FAULT is triggered, G1 and G2 will be forced low immediately and the LTC1553 will remain in this state until V_{CC} power supply is recycled or OUTEN is toggled.

APPLICATIONS INFORMATION

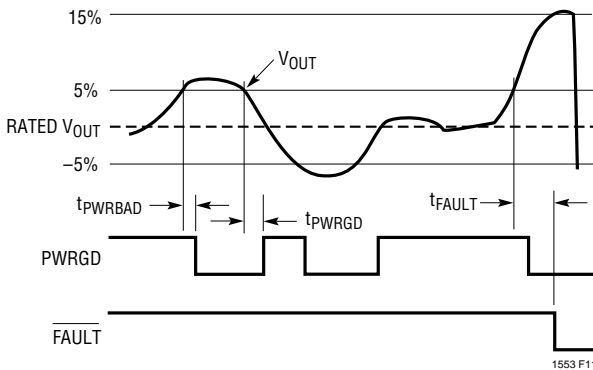


Figure 11. PWRGD and FAULT

LAYOUT CONSIDERATIONS

When laying out the printed circuit board, the following checklist should be used to ensure proper operation of the LTC1553. These items are also illustrated graphically in the layout diagram of Figure 12. The thicker lines show the high current paths. Note that at 10A current levels or above, current density in the PC board itself is a serious concern. Traces carrying high current should be as wide as possible. For example, a PCB fabricated with 2oz copper requires a minimum trace width of 0.15" to carry 10A.

1. In general, layout should begin with the location of the power devices. Be sure to orient the power circuitry so that a clean power flow path is achieved. Conductor widths should be maximized and lengths minimized. After you are satisfied with the power path, the control circuitry should be laid out. It is much easier to find routes for the relatively small traces in the control circuits than it is to find circuitous routes for high current paths.
2. The GND and SGND pins should be shorted right at the LTC1553. This helps to minimize internal ground

disturbances in the LTC1553 and prevents differences in ground potential from disrupting internal circuit operation. This connection should then tie into the ground plane at a single point, preferably at a fairly quiet point in the circuit such as close to the output capacitors. This is not always practical, however, due to physical constraints. Another reasonably good point to make this connection is between the output capacitors and the source connection of the low side FET Q2. Do not tie this single point ground in the trace run between the low side FET source and the input capacitor ground, as this area of the ground plane will be very noisy.

3. The small signal resistors and capacitors for frequency compensation and soft start should be located very close to their respective pins and the ground ends connected to the signal ground pin through a separate trace. Do not connect these parts to the ground plane!
4. The V_{CC} and PV_{CC} decoupling capacitors should be as close to the LTC1553 as possible. The 10 μ F bypass capacitors shown at V_{CC} and PV_{CC} will help provide optimum regulation performance.
5. The (+) plate of C_{IN} should be connected as close as possible to the drain of the upper MOSFET. An additional 1 μ F ceramic capacitor between V_{IN} and power ground is recommended.
6. The SENSE pin is very sensitive to pickup from the switching node. Care should be taken to isolate SENSE from possible capacitive coupling to the inductor switching signal. A 0.1 μ F is required between the SENSE pin and the SGND pin next to the LTC1553.
7. OUTEN is a high impedance input and should be externally pulled up to a logic HIGH for normal operation.
8. Kelvin sense I_{MAX} and I_{FB} at Q1 drain and source pins.

APPLICATIONS INFORMATION

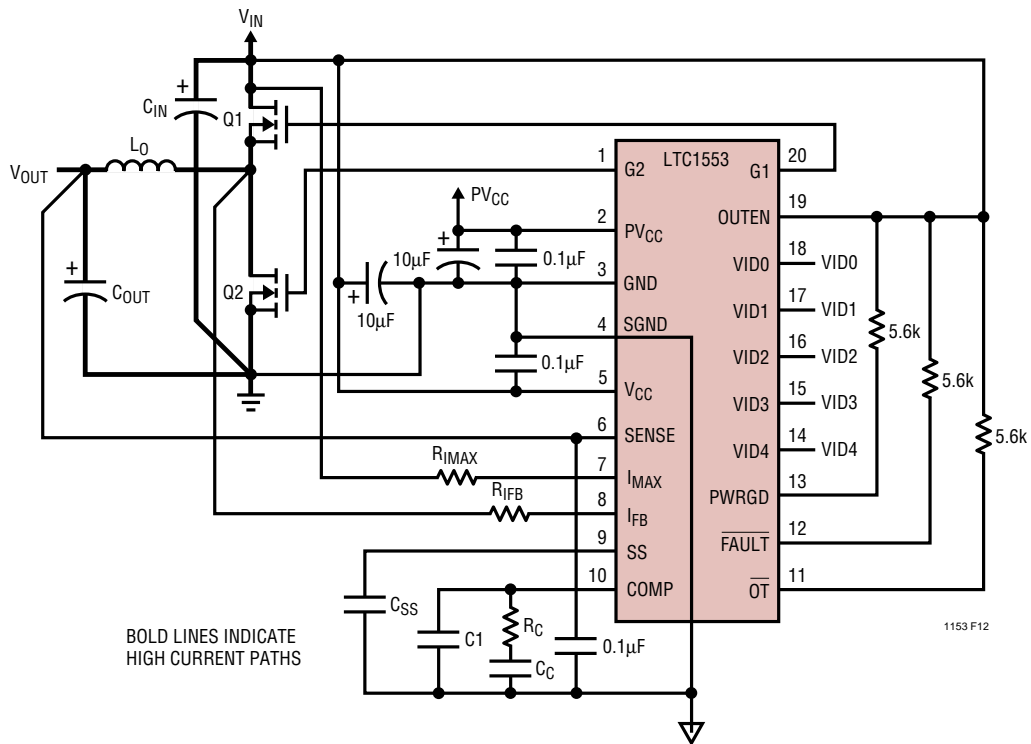


Figure 12. LTC1553 Layout Diagram

APPLICATIONS INFORMATION

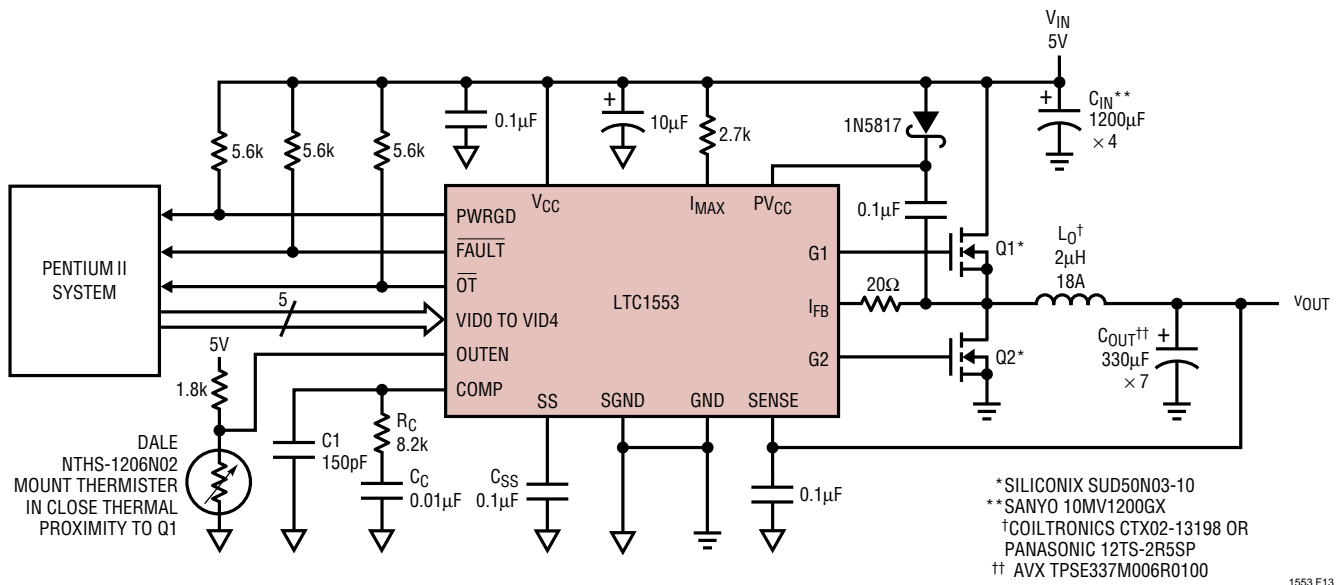
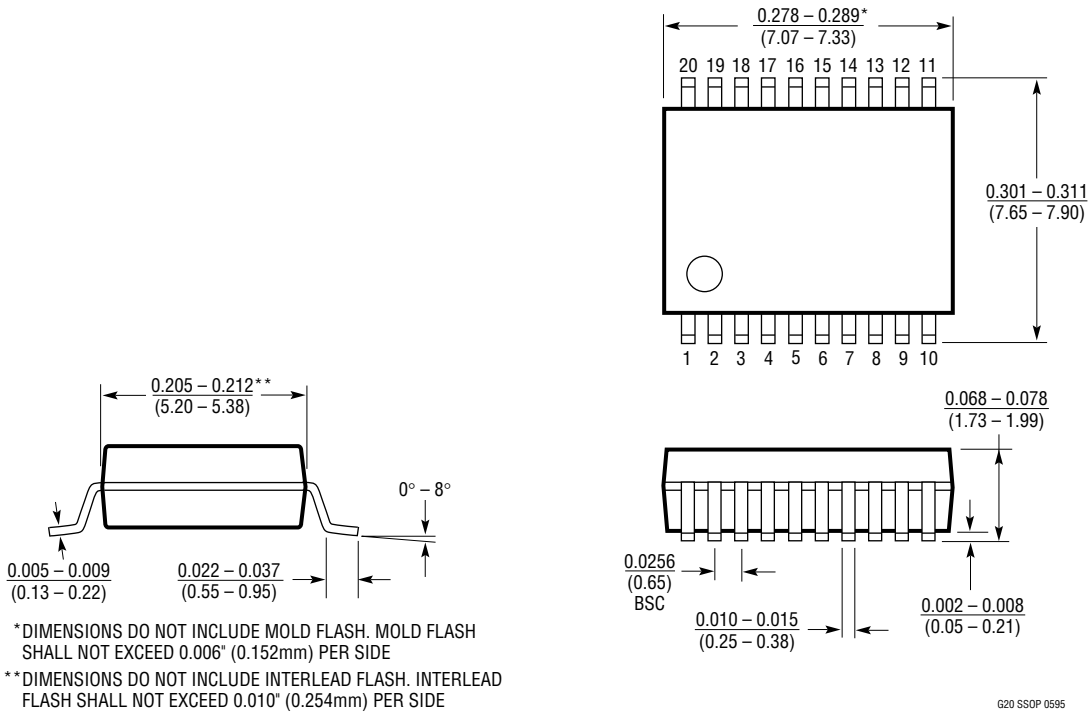


Figure 13. Single Supply LTC1553 5V to 1.8V-3.5V Application with Thermal Monitor

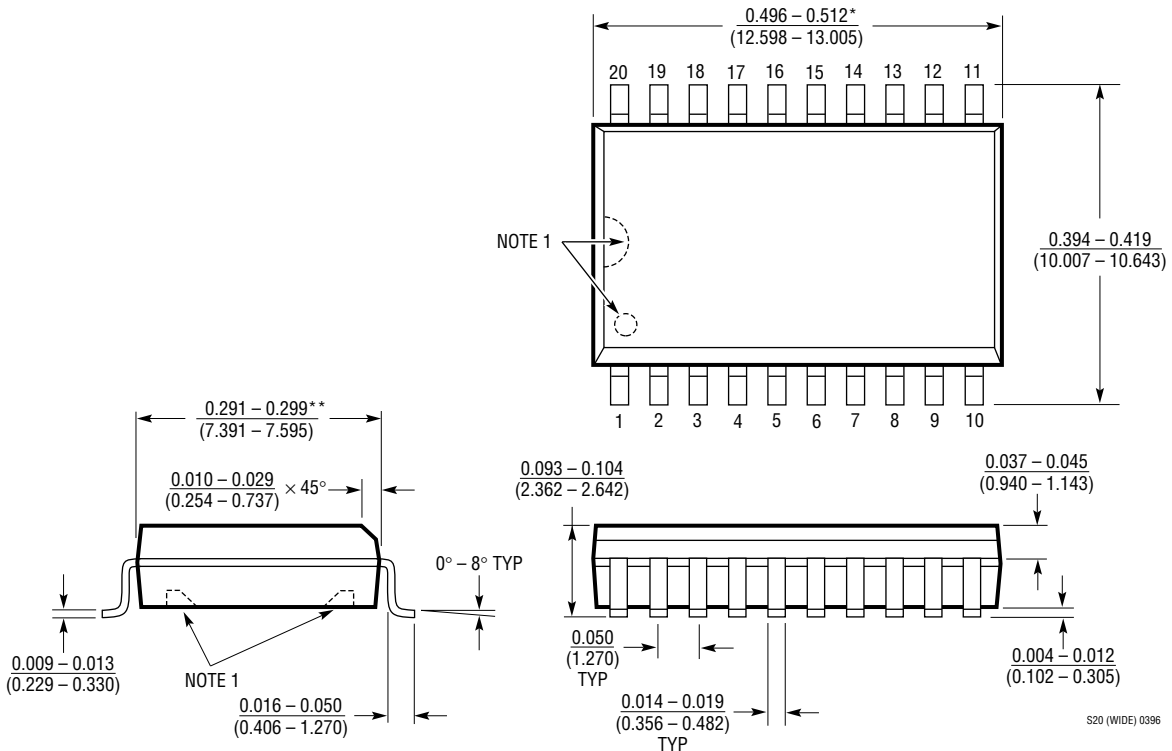
PACKAGE DESCRIPTION Dimension in inches (millimeters) unless otherwise noted.

G Package
20-Lead Plastic SSOP (0.209)
 (LTC DWG # 05-08-1640)



PACKAGE DESCRIPTION Dimension in inches (millimeters) unless otherwise noted.

SW Package
20-Lead Plastic Small Outline (Wide 0.300)
 (LTC DWG # 05-08-1620)



- NOTE:
- PIN 1 IDENT, NOTCH ON TOP AND CAVITIES ON THE BOTTOM OF PACKAGES ARE THE MANUFACTURING OPTIONS. THE PART MAY BE SUPPLIED WITH OR WITHOUT ANY OF THE OPTIONS
- *DIMENSION DOES NOT INCLUDE MOLD FLASH. MOLD FLASH SHALL NOT EXCEED 0.006" (0.152mm) PER SIDE
- **DIMENSION DOES NOT INCLUDE INTERLEAD FLASH. INTERLEAD FLASH SHALL NOT EXCEED 0.010" (0.254mm) PER SIDE

TYPICAL APPLICATION

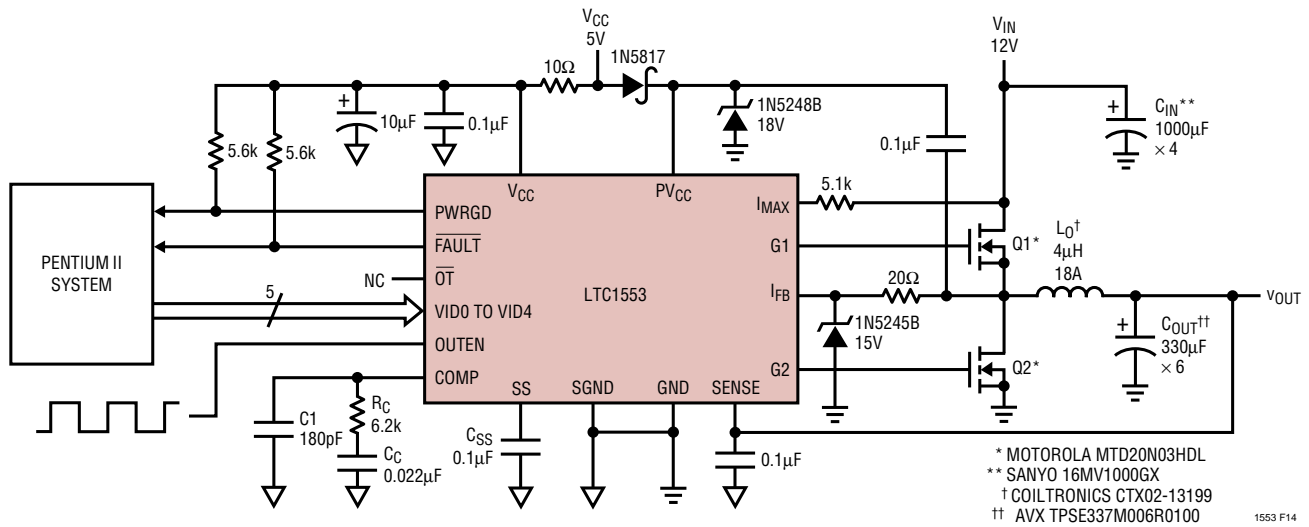


Figure 14. External Clock Synchronized 12V to 1.8V-3.5V Application

RELATED PARTS

PART NUMBER	DESCRIPTION	COMMENTS
LTC1142	Current Mode Dual Step-Down Switching Regulator Controller	Dual Version of LTC1148
LTC1148	Current Mode Step-Down Switching Regulator Controller	Synchronous, $V_{IN} \leq 20V$
LTC1149	Current Mode Step-Down Switching Regulator Controller	Synchronous, $V_{IN} \leq 48V$, for Standard Threshold FETs
LTC1159	Current Mode Step-Down Switching Regulator Controller	Synchronous, $V_{IN} \leq 40V$, for Logic Threshold FETs
LTC1266	Current Mode Step-Up/Down Switching Regulator Controller	Synchronous N- or P-Channel FETs, Comparator/Low-Battery Detector
LTC1430	High Power Step-Down Switching Regulator Controller	Synchronous N-Channel FETs, Voltage Mode
LTC1435	High Efficiency Low Noise Synchronous Step-Down Switching Regulator	Drive Synchronous N-Channel, $V_{IN} \leq 36V$
LTC1438	Dual High Efficiency Low Noise Synchronous Step-Down Switching Regulator	Dual LTC1435 with Power-On Reset