

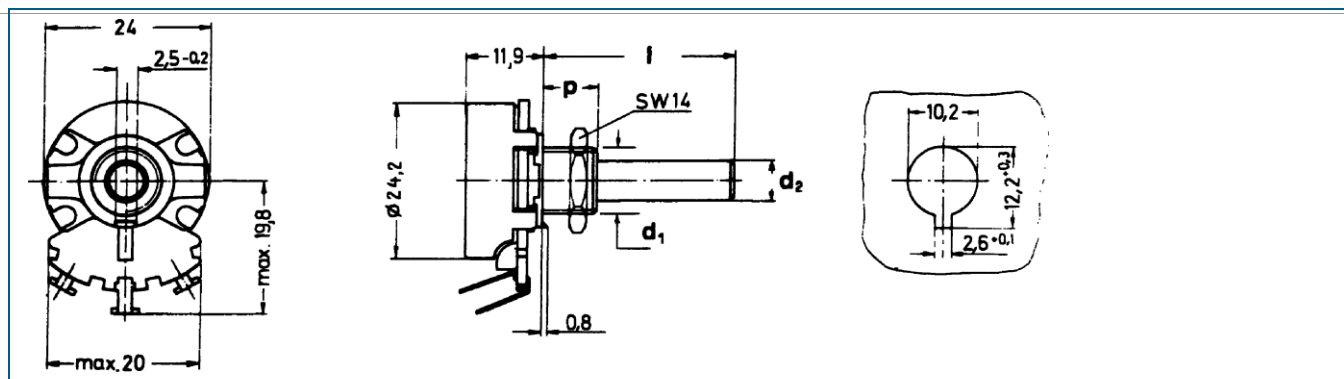
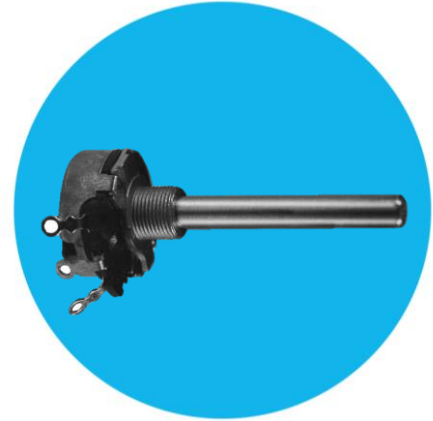
Wirewound rotary potentiometers

Series AW

Type AW

Ordering code no.: 31 046

Basic design: encased, nominal width 24 mm, solder tag terminals



Technical data

| | | | |
|--------------------------|--|-------------------------|------------------|
| Rated resistance range | 5 Ω - 25 kΩ | Temperature range | -40 °C to +90 °C |
| Resistance tolerance | ± 10 % (< 10 Ω ± 20 %) on request ± 5 % , ± 2 % | Temperature coefficient | See table |
| Law (resistance taper) | lin | Electrical travel | 280° ± 5° |
| Independent linearity | ± 2 % | Mechanical travel | 300° ± 10° |
| Rated dissipation | 4 W / 40 °C | Operating torque | 0.7 - 3.6 Ncm |
| Limiting element voltage | 500 V | End stop torque | 115 Ncm |
| Isolation voltage | 1 kV~ | Durability | 10 000 cycles |

Spindles

Metal, plastic moulded on request
(see table)

| l (mm) | p (mm) | d ₂ (mm) | d ₁ |
|----------------|-----------|------------------------|----------------|
| standard 50 | 8 or 12 | 6 | M10 x 0,75 |

Temperature coefficient and resolution

| RN | 10Ω | 25Ω | 50Ω | 100Ω | 250Ω | 500Ω | 1 kΩ | 2,5 kΩ | 5 kΩ | 10 kΩ | 25 kΩ |
|----------------------|-------|-------|--------------|--------------|--------------|-------|------|--------|------|-------|-------|
| TC-value ppm / °C | + 400 | + 400 | + 40 - 80 | + 40 - 80 | + 40 - 80 | + 140 | ± 20 | ± 20 | ± 20 | ± 20 | ± 20 |
| Resolution % | 0,75 | 0,75 | 0,7 | 0,5 | 0,35 | 0,35 | 0,3 | 0,3 | 0,2 | 0,15 | 0,13 |

General Note This datasheet does not give any information on product availability. The information given is just meant to describe the product and is not to be considered as guaranteed characteristics in the legal sense. All products are subject to design changes in the interest of further technical development.

Copyright: AB Elektronik GmbH (GER) ▪ info@abelektronik.de ▪ www.abelektronik.com