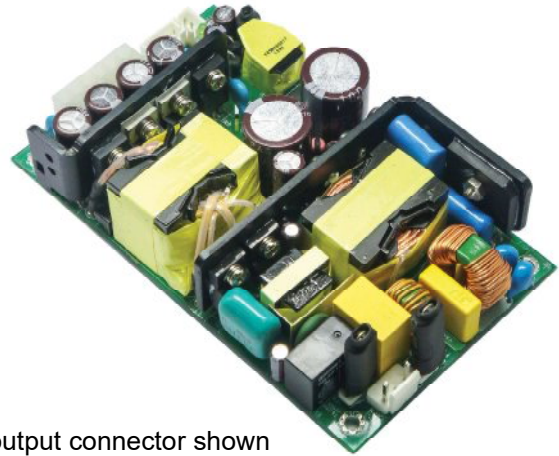


## 3 x 5" 280W AC-DC Medical Power Supplies

### Features

- ◆ Wide Range AC Input
- ◆ Low profile, Industry Standard Footprint
- ◆ 210W Convection
- ◆ Global Safety Agency Compliance
- ◆ Dual Input Fuses



### Key Market Segments & Applications



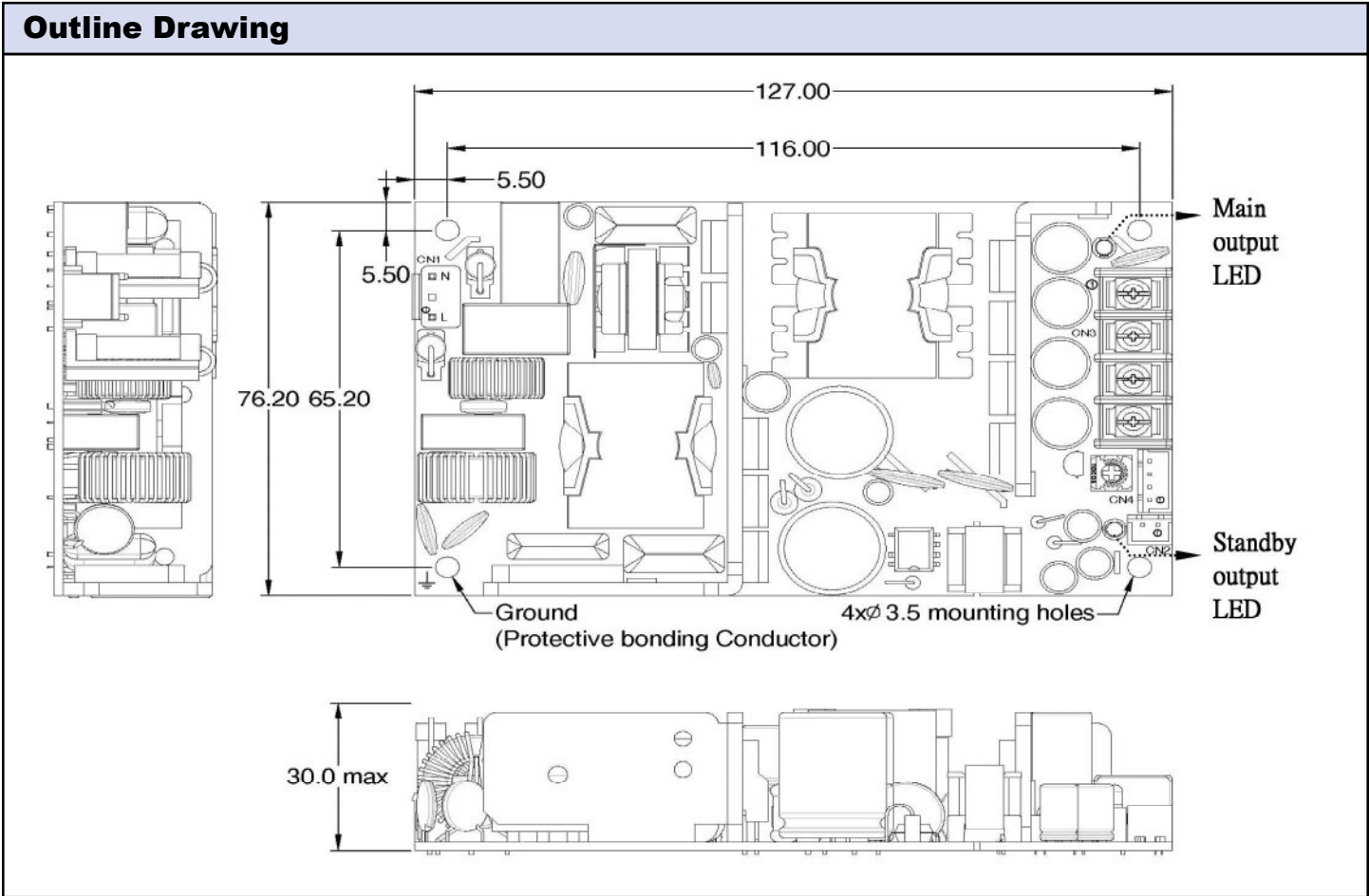
/M output connector shown



Specifications		Model	CSS280
Input Voltage range (1)	V		90 - 264VAC (47 - 63Hz)
Inrush Current	A		<60A at 230VAC input, 25°C ambient cold start
Input Current (115/230VAC)	A		3.5 / 2A
Power Factor Correction	-		Meets EN61000-3-2, >0.9
Earth Leakage Current	µA		<100µA 264VAC 63Hz
Hold Up Time (Typ)	ms		10ms at 115VAC input
Temperature Coefficient	%/°C		±0.1%/°C
Total Regulation	%		±1% (±10% for Vsb)
Ripple & Noise	%		2% peak to peak
Overcurrent Protection	-		105 - 150%
Overvoltage Protection	V		104 - 140% of nominal (Cycle input power or activate remote on/off to reset)
Overtemperature Protection	-		Shuts down the power supply. Manual reset by cycling the input or using the remote on/off
Remote On/Off	-		Unit on: Floating or high, Unit off: Low
Standby Voltage (always on)	-		+5V 0.5A, 100mV peak to peak ripple
Fan Supply	-		+12V 0.3A
Efficiency (typical)	%		91%
Avg. Efficiency (25, 50, 75 & 100% load)			88%
Power Draw (in standby mode)	W		<0.5W
Operating Temperature	°C		-20 to +70°C derate linearly to 50% load from 50 to 70°C
Storage Temperature	°C		-20 to +85°C
Humidity (non condensing)	-		10 - 95% RH
Cooling	-		Convection or forced air (18CFM)
Withstand Voltage	-		Input to Ground 1.5kVAC, Input to Output 4kVAC, Output to Ground 1.5kVAC for 4s
Isolation Resistance	-		>100M at 25C & 70%RH, Output to Ground 500VDC
Vibration (non operating)	-		19.6m/s <sup>2</sup> (10~55Hz:2G Constant, X,Y,Z 60min each.)
Shock	-		< 196.1 m/s <sup>2</sup> (20G)
Safety Agency Approvals	-		UL/EN/IEC60601-1, UL/EN/IEC60950-1, CE Mark. (2 x MOPPS 3rd edition)
Conducted & Radiated EMI	-		EN55011-B, EN55022-B, EN55024-B, FCC Class B
Immunity	-		IEC60601-1-2 Ed4
Weight (Typ)	g		350g
Size (WxLxH)	ln (mm)		3 x 5 x 1.18" (76.2 x 127 x 30mm)
Warranty	yrs		Three Years

### Notes

(1) With convection cooling, derate linearly to 190W, from 100VAC TO 90VAC



**Model Selector**

Model	Output Voltage (V)	Maximum Current Convection (A)	Maximum Power Convection (W)	Maximum Current Forced Air	Maximum Power Forced Air	Ripple & Noise
CSS280-12	12V	17.5A	210W	23.33A	280W	150mV
CSS280-24	24V	8.75A	210W	11.66A	280W	240mV
CSS280-28	28V	7.5A	210W	10A	280W	280mV
CSS280-48	48V	4.375A	210W	5.83A	280W	300mV
CSS280-54	54V	3.88A	210W	5.18A	280W	400mV

**Options**

Suffix	Description
Blank	Screw terminal block output connector
/J	JST output connector
/M	Molex Minifit output connector

**Other Medical Products**

KM	15 - 40W pcb mount 1 - 3 outputs
CSS	40 - 500W single output
NV175	175 - 200W 1-4 outputs
NV300	300W 1-4 outputs
EFEM	300-400W
CFE400M	300-400W (300W convection)

For Additional Information, please visit <https://product.tdk.com/info/en/products/power/index.html>

