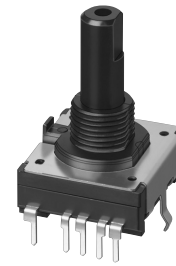


18 mm Square Encoders (Water proof Type)

Japan

Type: **EVQV9**



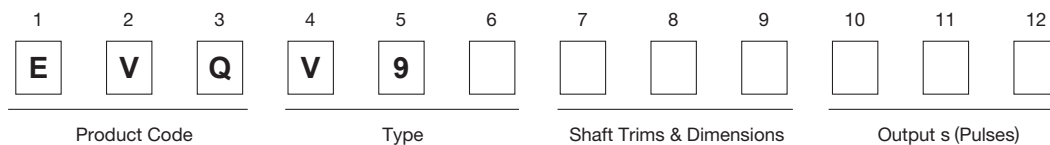
■ Features

- Water resistant
- Highly responsive clicking
- High precision and reliability
(uses the insertion contact method)

■ Recommended Applications

- Home appliances, AV equipment, etc.
(for signal input)

■ Explanation of Part Numbers



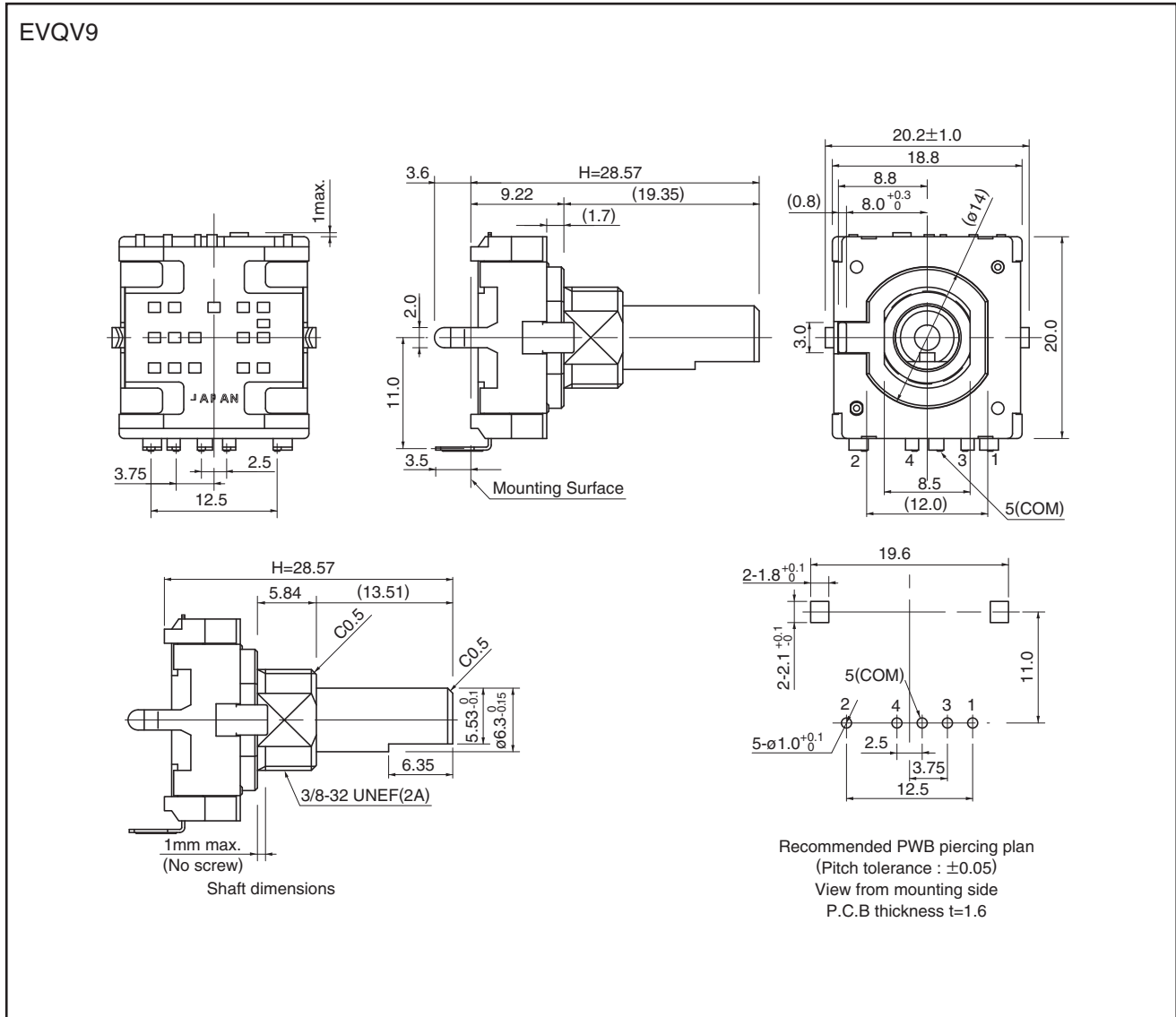
■ Specifications

Mechanical	Rotation Angle	360 ° (Endless)
	Shaft Pull/Push Strength	100 N min.
	Shaft Wobble	(Each side: 0.5 × L/30(mm)max.) Applied 50 mN·m moment L=Length from mounting surface
	Rotation Torque	50±20 mN·m
	Detents	16 points
Electrical	Output Signal	16 positions
	Resolution	Absolute 4-bit , Gray cord absolute
	Rating	1 mA 10 Vdc
	Contact Resistance	10 Ω max.
	Insulation Resistance	50 MΩ min. (at 250 Vdc)
	Dielectric Withstanding Voltage	50 Vac for 1 minute
	Bouncing	5 ms max.
Endurance	Rotation Life	30000 cycles min.
Minimum Quantity / Packing Unit		120 pcs.(Tray Pack)
Quantity / Carton		1200 pcs.

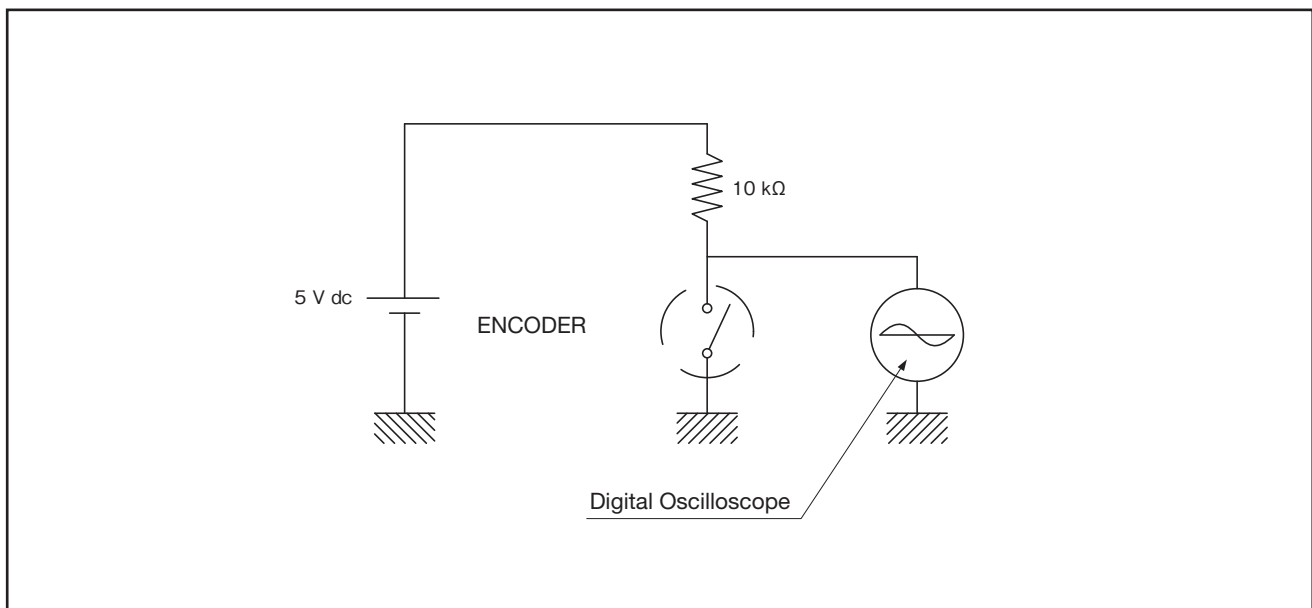
Design and specifications are each subject to change without notice. Ask factory for the current technical specifications before purchase and/or use. Should a safety concern arise regarding this product, please be sure to contact us immediately.

Sep. 2015

■ Dimensions in mm (not to scale)



■ Test Circuit Diagram



Design and specifications are each subject to change without notice. Ask factory for the current technical specifications before purchase and/or use. Should a safety concern arise regarding this product, please be sure to contact us immediately.