

GNM0M2R60J105ME18#

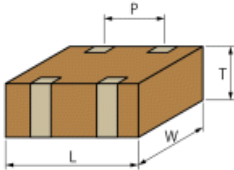

indicates a package specification code.



Date of discontinuation: 30 Sep 2016

< List of part numbers with package codes >
 GNM0M2R60J105ME18D , GNM0M2R60J105ME18J

Shape

L size	0.9 ±0.05mm
W size	0.6 ±0.05mm
T size	0.45 ±0.05mm
Distance between external terminals P	0.45±0.05mm
Size code in inch(mm)	0302 (0906M)

Notes

Derating1

References

Packaging	Specifications	Minimum quantity
D	φ180mm Paper taping	10000
J	φ330mm Paper taping	40000

Mass (typ.)	
1 piece	1.4mg
φ180mm Reel	114g

Specifications

Capacitance	1.0μF ±20%
Rated voltage	6.3Vdc
Temperature characteristics (complied standard)	X5R(EIA)
Capacitance change rate	±15.0%
Temperature range of temperature characteristics	-55 to 85°C
Operating temperature range	-55 to 85°C

Attention

- 1.This datasheet is downloaded from the website of Murata Manufacturing Co., Ltd. Therefore, it's specifications are subject to change or our products in it may be discontinued without advance notice. Please check with our sales representatives or product engineers before ordering.
- 2.This datasheet has only typical specifications because there is no space for detailed specifications. Therefore, please review our product specifications or consult the approval sheet for product specifications before ordering.