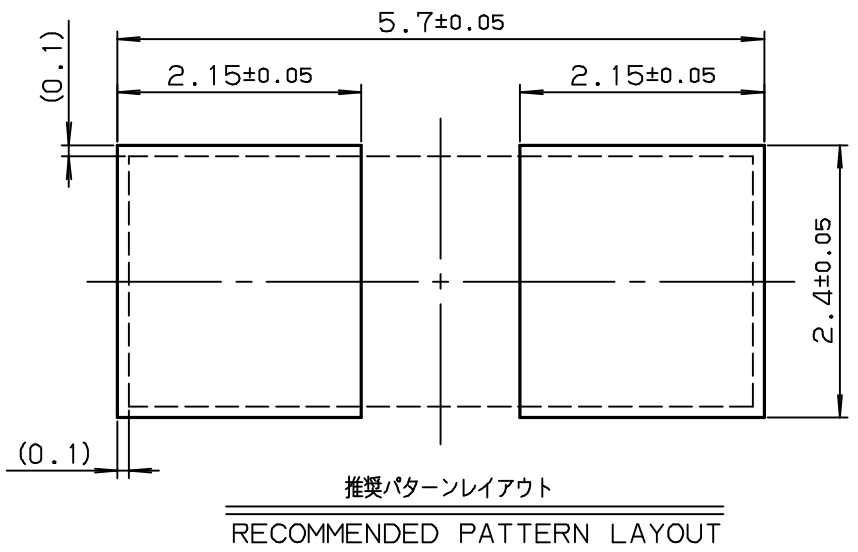
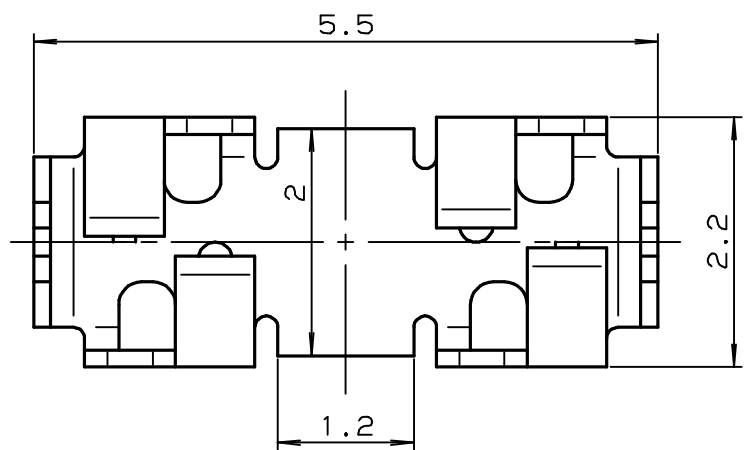
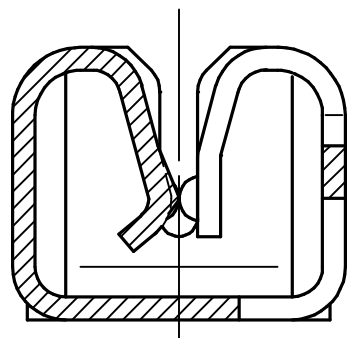
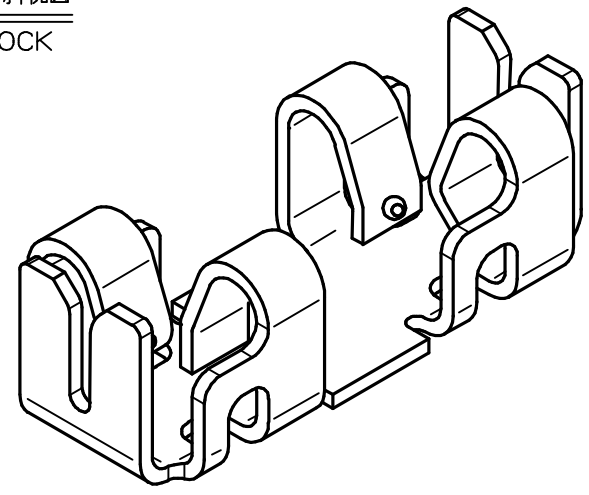


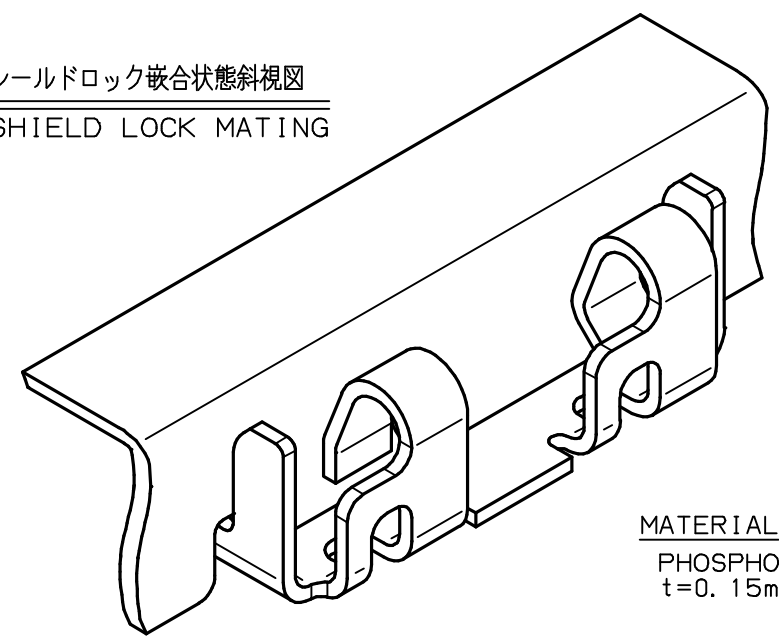
NO.	DESCRIPTION	PART NO.	QTY	MATERIAL	DRW NO.	REMARKS
-----	-------------	----------	-----	----------	---------	---------



シールドロック斜視図  
SHIELD LOCK

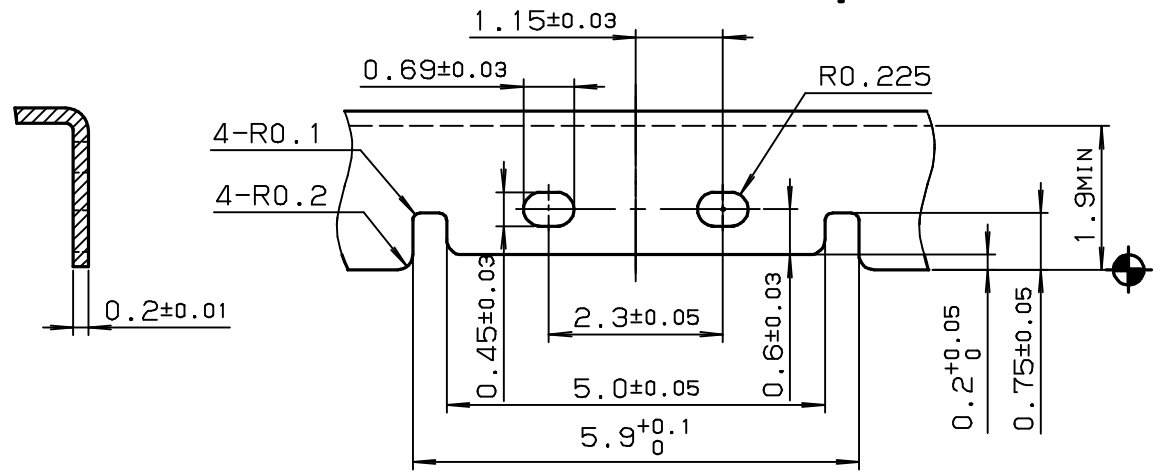
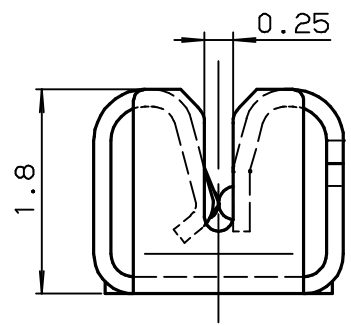
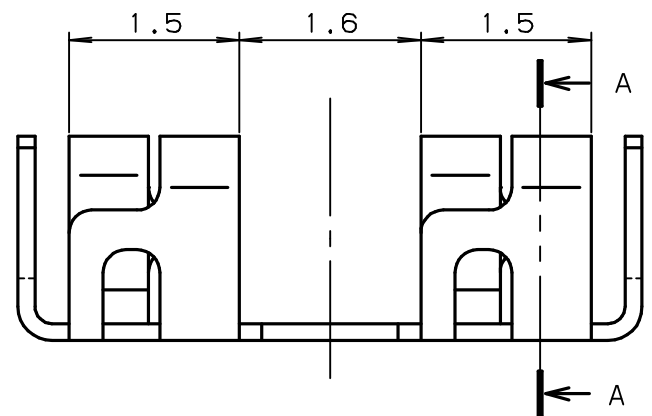
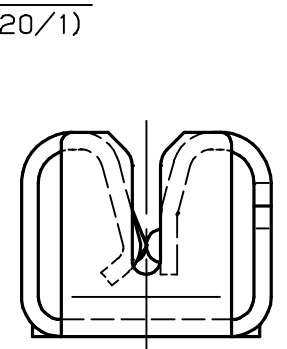


シールドロック嵌合状態斜視図  
SHIELD LOCK MATING



MATERIAL  
PHOSPHOR BRONZE  
t=0.15mm

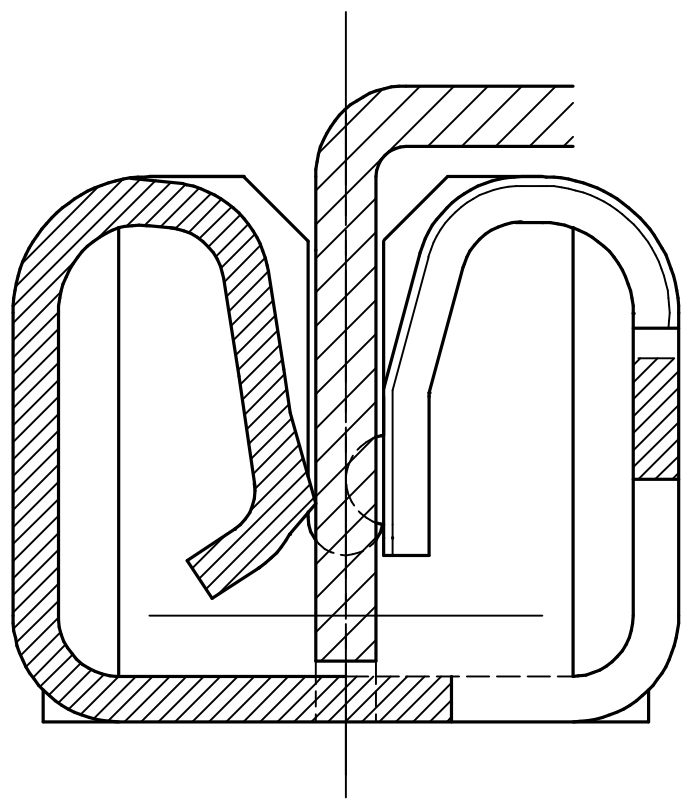
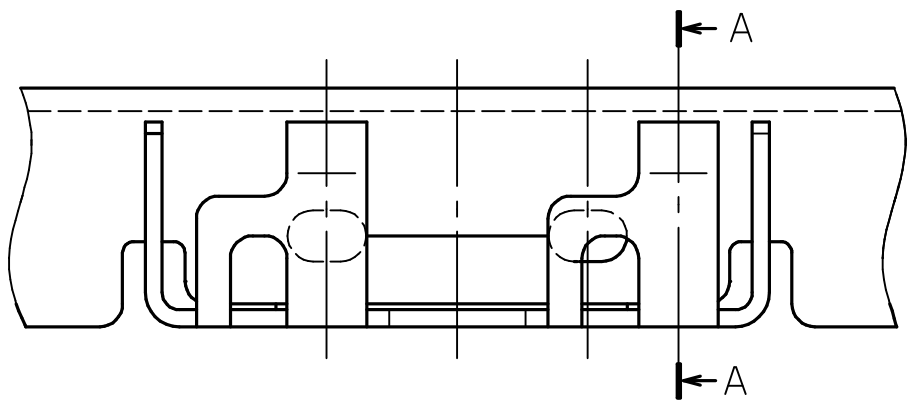
PLATING  
AFTER-PLATING  
Sn-PLATING



シールドケース形状 (S=10/1)  
SHIELDING CASE FORM

TOLERANCE / 一般公差 (S)		PRODUCT SPEC / 製品規格							
10 ≤ X < 30	±0.25	UNIT	ANGLE	0	EDN-458	7-19-01			
30 ≤ X	±0.3	mm	3RD	NO.	EDN/DCN	DATE	ISSUE	CHECKED	APPROVED
ANGLE / 角度	±3°	SCALE	DATE	PART NAME / 品名					
		15/1	7-19-01	SERIES 8069 CONT SHIELD LOCK (H=1.8)					
DRAWN	DESIGNED	CHECKED	APPROVED	PART NO. / 型番					
K. KAIHARA	K. KAIHARA			70 8069 000 100 800					
KYOCERA ELCO CORPORATION				DWG NO. / 図番		SHEET		REV	
				BJS 8069504		1/2		0	

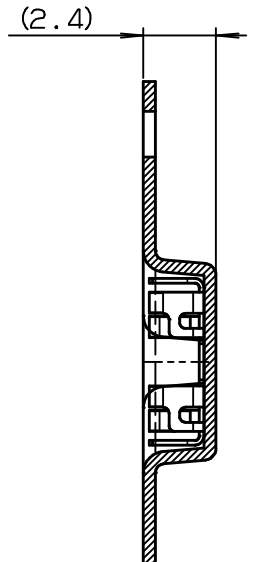
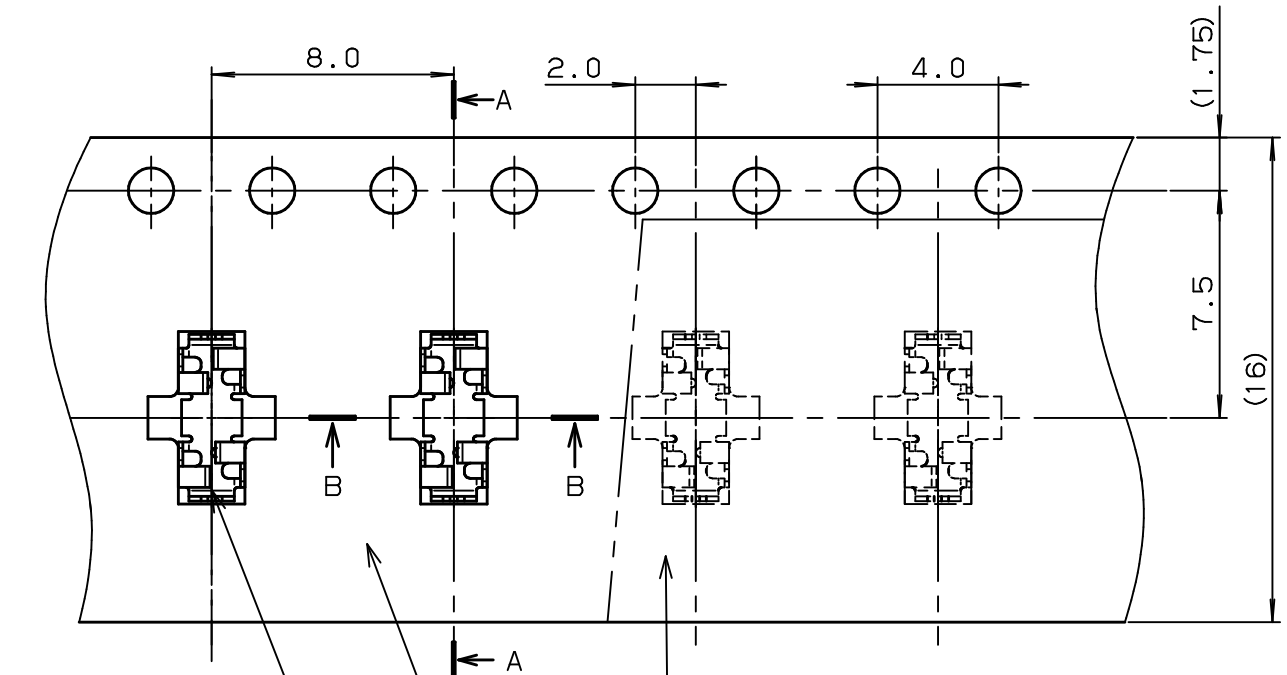
NO.	DESCRIPTION	PART NO.	QTY	MATERIAL	DRW NO.	REMARKS
-----	-------------	----------	-----	----------	---------	---------



SECT. A-A

TOLERANCE / 一般公差 (S)		PRODUCT SPEC / 製品規格							
X < 10	±0.2	UNIT	ANGLE	REFER TO SHEET		1/2			
10 ≤ X < 30	±0.25	mm	3RD	NO.	EDN/DCN	DATE	ISSUE	CHECKED	APPROVED
30 ≤ X	±0.3	SCALE	DATE	PART NAME / 品名					
ANGLE / 角度	±3°	N/T'S	7-19-01	SERIES 8069 CONT SHIELD LOCK (H=1.8)					
DRAWN	DESIGNED	CHECKED	APPROVED	PART NO. / 型番					
K. KAIHARA	K. KAIHARA			70 8069 000 100 800					
 KYOCERA ELCO CORPORATION				DWG NO. / 図番		BJS 8069504		SHEET/REV	
								2/2   0	

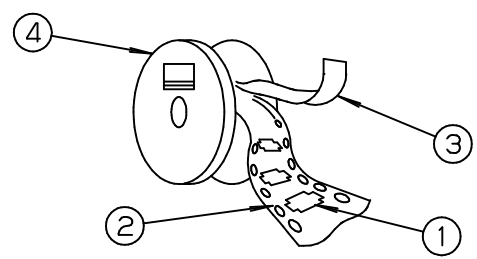
NO.	DESCRIPTION	PART NO.	QTY	MATERIAL	DRW NO.	REMARKS
1	SHIELD LOCK	70 8069 000 100 800	3000			
2	EMBOSSED TAPE		1	POLYSTYRENE (CLEAR)		
3	TOP COVER TAPE		1	POLYSTYRENE (CLEAR)		
4	REEL		1	CORRUGATED CARDBOARD		



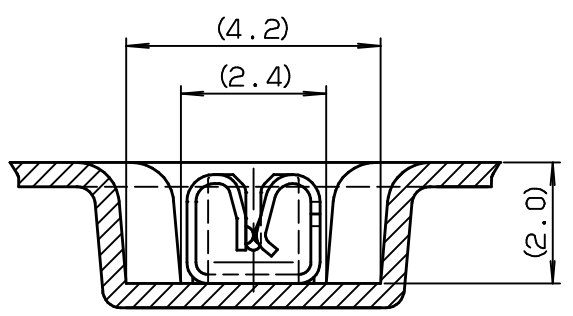
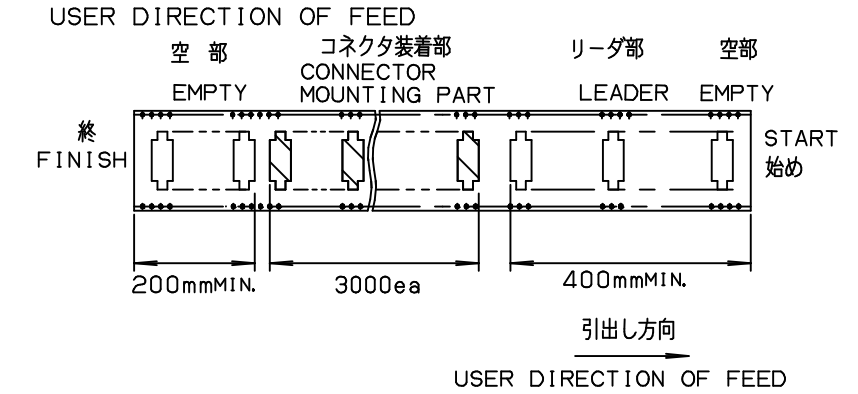
SECT. A-A

注記 NOTE

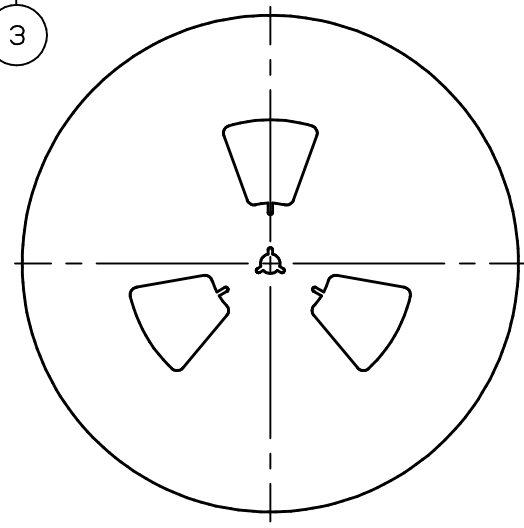
- 1. 納入数量 : 3000 個/reel  
QUANTITY : 3000 ea/reel
- 2. 納入時のリール巻き方向  
REELING DIRECTION  
IN DELIVERY



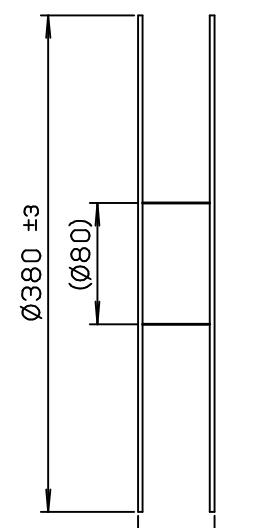
3. 引出し方向



SECT. B-B (S=8/1)



REEL DIMENSION (S=1/5)



22.4MAX.

TOLERANCE / 一般公差 (S)		PRODUCT SPEC / 製品規格							
X < 10 ±0.2		POLYSTYRENE (CLEAR)							
10 ≤ X < 30 ±0.25		t=0.4±0.05		UNIT		ANGLE		O EDN-484 7-30-01	
30 ≤ X ±0.3		mm		3RD				NO. EDN/DCN DATE ISSUE CHECKED APPROVED	
ANGLE / 角度 ±3°		SCALE		DATE		PART NAME / 品名			
		4 / 1		7-30-01		SERIES 8069 SHIELD LOCK TAPING H=1.8			
DRAWN		DESIGNED		CHECKED		APPROVED		PART NO. / 型番	
K. KAIHARA		K. KAIHARA						04 8069 000 100 800	
KYOCERA		KYOCERA ELCO CORPORATION		DWG NO. / 図番		BJS 8069003		SHEET / REV	
								1 / 1 0	