

HOW TO ORDER

Military Type Designation: Styles CKR04, CKR05, CKR06, CKR08

Dash Number Option: MIL-PRF-39014/01 (Appropriate Dash Number)

CKR05

Style

CK = General purpose, ceramic dielectric, fixed capacitors
R = Established Reliability Parts
05 = Remaining two numbers identify shape and dimension

BX

Voltage-Temperature Limits

First letter identifies temperature range.
B = -55°C to +125°C
Second letter identifies voltage-temperature coefficient.

| Capacitance Change with Reference to 25°C | | |
|---|------------|---------------|
| Second Letter | No Voltage | Rated Voltage |
| X | +15, -15% | +15, -25% |

104

Capacitance

First two digits are the significant figures of capacitance. Third digit indicates the additional number of zeros. For example, order 100,000 pF as 104. (For values below 10pF use "R" in place of decimal point, e.g., 1R4 = 1.4pF.)

K

Capacitance Tolerance

K = ±10%
M = ±20%

S

Military Failure Rate

M = 1% per 1000 hours
P = 0.1% per 1000 hours
R = 0.01% per 1000 hours
S = 0.001% per 1000 hours

Note:
AVX reserves the right to substitute a lower failure rate part per MIL-PRF-39014. Substitutability for failure rate levels shall be as follows:

| Failure Rate Level | Will Replace Failure Rate Level |
|--------------------|---------------------------------|
| S (STD) (X-ray) | R, P, M, L |
| R (STD) (No X-ray) | P, M, L |
| P | M, L |
| M | L |

(V)

Standoff Option

To order standoff option, place "V" at the end of the part number.
Example:
CKR05BX104KSV

Not RoHS Compliant

PACKAGING REQUIREMENTS

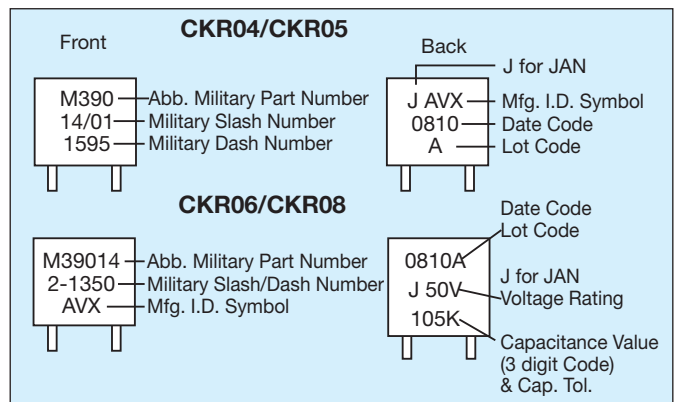
Packaging: 100 Pcs/bag; Radial Tape and Reel Packaging available upon request (2500 pcs./reel).

SIZE SPECIFICATIONS millimeters (Inches)

| Per Mil Spec | Case Size | | | | |
|-------------------|-------------------------|-------------------------|-------------------------|-------------------------|------------------------|
| | Length (L) | Width (W) | Thickness (T) | Lead Spacing (L.S.) | Lead Diameter (L.D.) |
| MIL-PRF-39014 | | | | | |
| CKR04 (Fig. 2) | 4.83±.25 (.190±.010) | 4.83±.25 (.190±.010) | 2.29±.25 (.090±.010) | 2.54±.38 (.100±.015) | .64±.05 (.025±.002) |
| CKR05 (Fig. 1, 4) | 4.83±.25 (.190±.010) | 4.83±.25 (.190±.010) | 2.29±.25 (.090±.010) | 5.08±.38 (.200±.015) | .64±.05 (.025±.002) |
| CKR06 (Fig. 2, 3) | 7.37±.25 (.290±.010) | 7.37±.25 (.290±.010) | 2.29±.25 (.090±.010) | 5.08±.38 (.200±.015) | .64±.05 (.025±.002) |
| CKR08 (Fig. 2) | 7.37±.25 (.290±.010) | 7.37±.25 (.290±.010) | 3.68±.38 (.145±.015) | 5.08±.38 (.200±.015) | .64±.05 (.025±.002) |

Only CKR05 and CKR06 can be offered on T&R

MARKING RADIAL LEAD



MILITARY MIL-PRF-39014

Radial Leads



MILITARY DASH NUMBER IDENTIFICATION CKR04 TO MIL-PRF-39014/23

(Dash Number From Table)

| Military Type Designation | Failure Rate Level (%/1,000 Hours) | | | | Capacitance (pF) | Capacitance Tolerance ±Percent | WVDC |
|---------------------------|------------------------------------|---------|----------|-----------|------------------|--------------------------------|------|
| | 1.0 (M) | 0.1 (P) | 0.01 (R) | 0.001 (S) | | | |
| CKR04 (BX) | | | | | | | |
| CKR04BX100K_ | 0001 | 0101 | 0201 | 0301 | 10 | 10 | 200 |
| CKR04BX100M_ | 0002 | 0102 | 0202 | 0302 | 10 | 20 | 200 |
| CKR04BX120K_ | 0003 | 0103 | 0203 | 0303 | 12 | 10 | 200 |
| CKR04BX150K_ | 0004 | 0104 | 0204 | 0304 | 15 | 10 | 200 |
| CKR04BX150M_ | 0005 | 0105 | 0205 | 0305 | 15 | 20 | 200 |
| CKR04BX180K_ | 0006 | 0106 | 0206 | 0306 | 18 | 10 | 200 |
| CKR04BX220K_ | 0007 | 0107 | 0207 | 0307 | 22 | 10 | 200 |
| CKR04BX220M_ | 0008 | 0108 | 0208 | 0308 | 22 | 20 | 200 |
| CKR04BX270K_ | 0009 | 0109 | 0209 | 0309 | 27 | 10 | 200 |
| CKR04BX330K_ | 0010 | 0110 | 0210 | 0310 | 33 | 10 | 200 |
| CKR04BX330M_ | 0011 | 0111 | 0211 | 0311 | 33 | 20 | 200 |
| CKR04BX390K_ | 0012 | 0112 | 0212 | 0312 | 39 | 10 | 200 |
| CKR04BX470K_ | 0013 | 0113 | 0213 | 0313 | 47 | 10 | 200 |
| CKR04BX470M_ | 0014 | 0114 | 0214 | 0314 | 47 | 20 | 200 |
| CKR04BX560K_ | 0015 | 0115 | 0215 | 0315 | 56 | 10 | 200 |
| CKR04BX680K_ | 0016 | 0116 | 0216 | 0316 | 68 | 10 | 200 |
| CKR04BX680M_ | 0017 | 0117 | 0217 | 0317 | 68 | 20 | 200 |
| CKR04BX820K_ | 0018 | 0118 | 0218 | 0318 | 82 | 10 | 200 |
| CKR04BX101K_ | 0019 | 0119 | 0219 | 0319 | 100 | 10 | 200 |
| CKR04BX101M_ | 0020 | 0120 | 0220 | 0320 | 100 | 20 | 200 |
| CKR04BX121K_ | 0021 | 0121 | 0221 | 0321 | 120 | 10 | 200 |
| CKR04BX151K_ | 0022 | 0122 | 0222 | 0322 | 150 | 10 | 200 |
| CKR04BX151M_ | 0023 | 0123 | 0223 | 0323 | 150 | 20 | 200 |
| CKR04BX181K_ | 0024 | 0124 | 0224 | 0324 | 180 | 10 | 200 |
| CKR04BX221K_ | 0025 | 0125 | 0225 | 0325 | 220 | 10 | 200 |
| CKR04BX221M_ | 0026 | 0126 | 0226 | 0326 | 220 | 20 | 200 |
| CKR04BX271K_ | 0027 | 0127 | 0227 | 0327 | 270 | 10 | 200 |
| CKR04BX331K_ | 0028 | 0128 | 0228 | 0328 | 330 | 10 | 200 |
| CKR04BX331M_ | 0029 | 0129 | 0229 | 0329 | 330 | 20 | 200 |
| CKR04BX391K_ | 0030 | 0130 | 0230 | 0330 | 390 | 10 | 200 |
| CKR04BX471K_ | 0031 | 0131 | 0231 | 0331 | 470 | 10 | 200 |
| CKR04BX471M_ | 0032 | 0132 | 0232 | 0332 | 470 | 20 | 200 |
| CKR04BX561K_ | 0033 | 0133 | 0233 | 0333 | 560 | 10 | 200 |
| CKR04BX681K_ | 0034 | 0134 | 0234 | 0334 | 680 | 10 | 200 |
| CKR04BX681M_ | 0035 | 0135 | 0235 | 0335 | 680 | 20 | 200 |
| CKR04BX821K_ | 0036 | 0136 | 0236 | 0336 | 820 | 10 | 200 |
| CKR04BX102K_ | 0037 | 0137 | 0237 | 0337 | 1,000 | 10 | 200 |
| CKR04BX102M_ | 0038 | 0138 | 0238 | 0338 | 1,000 | 20 | 200 |
| CKR04BX122K_ | 0039 | 0139 | 0239 | 0339 | 1,200 | 10 | 100 |
| CKR04BX152K_ | 0040 | 0140 | 0240 | 0340 | 1,500 | 10 | 100 |
| CKR04BX152M_ | 0041 | 0141 | 0241 | 0341 | 1,500 | 20 | 100 |
| CKR04BX182K_ | 0042 | 0142 | 0242 | 0342 | 1,800 | 10 | 100 |
| CKR04BX222K_ | 0043 | 0143 | 0243 | 0343 | 2,200 | 10 | 100 |
| CKR04BX222M_ | 0044 | 0144 | 0244 | 0344 | 2,200 | 20 | 100 |
| CKR04BX272K_ | 0045 | 0145 | 0245 | 0345 | 2,700 | 10 | 100 |
| CKR04BX332K_ | 0046 | 0146 | 0246 | 0346 | 3,300 | 10 | 100 |
| CKR04BX332M_ | 0047 | 0147 | 0247 | 0347 | 3,300 | 20 | 100 |
| CKR04BX392K_ | 0048 | 0148 | 0248 | 0348 | 3,900 | 10 | 100 |
| CKR04BX472K_ | 0049 | 0149 | 0249 | 0349 | 4,700 | 10 | 100 |
| CKR04BX472M_ | 0050 | 0150 | 0250 | 0350 | 4,700 | 20 | 100 |
| CKR04BX562K_ | 0051 | 0151 | 0251 | 0351 | 5,600 | 10 | 100 |
| CKR04BX682K_ | 0052 | 0152 | 0252 | 0352 | 6,800 | 10 | 100 |
| CKR04BX682M_ | 0053 | 0153 | 0253 | 0353 | 6,800 | 20 | 100 |
| CKR04BX822K_ | 0054 | 0154 | 0254 | 0354 | 8,200 | 10 | 100 |
| CKR04BX103K_ | 0055 | 0155 | 0255 | 0355 | 10,000 | 10 | 100 |
| CKR04BX103M_ | 0056 | 0156 | 0256 | 0356 | 10,000 | 20 | 100 |
| CKR04BX123K_ | 0057 | 0157 | 0257 | 0357 | 12,000 | 10 | 50 |
| CKR04BX153K_ | 0058 | 0158 | 0258 | 0358 | 15,000 | 10 | 50 |
| CKR04BX153M_ | 0059 | 0159 | 0259 | 0359 | 15,000 | 20 | 50 |
| CKR04BX183K_ | 0060 | 0160 | 0260 | 0360 | 18,000 | 10 | 50 |
| CKR04BX223K_ | 0061 | 0161 | 0261 | 0361 | 22,000 | 10 | 50 |
| CKR04BX223M_ | 0062 | 0162 | 0262 | 0362 | 22,000 | 20 | 50 |
| CKR04BX273K_ | 0063 | 0163 | 0263 | 0363 | 27,000 | 10 | 50 |
| CKR04BX333K_ | 0064 | 0164 | 0264 | 0364 | 33,000 | 10 | 50 |
| CKR04BX333M_ | 0065 | 0165 | 0265 | 0365 | 33,000 | 20 | 50 |
| CKR04BX393K_ | 0066 | 0166 | 0266 | 0366 | 39,000 | 10 | 50 |
| CKR04BX473K_ | 0067 | 0167 | 0267 | 0367 | 47,000 | 10 | 50 |
| CKR04BX473M_ | 0068 | 0168 | 0268 | 0368 | 47,000 | 20 | 50 |
| CKR04BX563K_ | 0069 | 0169 | 0269 | 0369 | 56,000 | 10 | 50 |
| CKR04BX683K_ | 0070 | 0170 | 0270 | 0370 | 68,000 | 10 | 50 |
| CKR04BX683M_ | 0071 | 0171 | 0271 | 0371 | 68,000 | 20 | 50 |
| CKR04BX823K_ | 0072 | 0172 | 0272 | 0372 | 82,000 | 10 | 50 |
| CKR04BX104K_ | 0073 | 0173 | 0273 | 0373 | 100,000 | 10 | 50 |
| CKR04BX104M_ | 0074 | 0174 | 0274 | 0374 | 100,000 | 20 | 50 |

Add appropriate failure rate level letter (M, P, R or S)



The Important Information/Disclaimer is incorporated in the catalog where these specifications came from or available online at www.avx.com/disclaimer/ by reference and should be reviewed in full before placing any order.

MILITARY DASH NUMBER IDENTIFICATION CKR05 TO MIL-PRF-39014/01

(Dash Number From Table)

| Military Type Designation | Failure Rate Level (%/1,000 Hours) | | | | Capacitance (pF) | Capacitance Tolerance ±Percent | WVDC |
|---------------------------|------------------------------------|---------|----------|-----------|------------------|--------------------------------|------|
| | 1.0 (M) | 0.1 (P) | 0.01 (R) | 0.001 (S) | | | |
| CKR05 (BX) | | | | | | | |
| CKR05BX100K_ | 1201 | 1241 | 1281 | 1321 | 10 | 10 | 200 |
| CKR05BX100M_ | 1202 | 1242 | 1282 | 1322 | 10 | 20 | 200 |
| CKR05BX120K_ | 1203 | 1243 | 1283 | 1323 | 12 | 10 | 200 |
| CKR05BX150K_ | 1204 | 1244 | 1284 | 1324 | 15 | 10 | 200 |
| CKR05BX150M_ | 1205 | 1245 | 1285 | 1325 | 15 | 20 | 200 |
| CKR05BX180K_ | 1206 | 1246 | 1286 | 1326 | 18 | 10 | 200 |
| CKR05BX220K_ | 1207 | 1247 | 1287 | 1327 | 22 | 10 | 200 |
| CKR05BX220M_ | 1208 | 1248 | 1288 | 1328 | 22 | 20 | 200 |
| CKR05BX270K_ | 1209 | 1249 | 1289 | 1329 | 27 | 10 | 200 |
| CKR05BX330K_ | 1210 | 1250 | 1290 | 1330 | 33 | 10 | 200 |
| CKR05BX330M_ | 1211 | 1251 | 1291 | 1331 | 33 | 20 | 200 |
| CKR05BX390K_ | 1212 | 1252 | 1292 | 1332 | 39 | 10 | 200 |
| CKR05BX470K_ | 1213 | 1253 | 1293 | 1333 | 47 | 10 | 200 |
| CKR05BX470M_ | 1214 | 1254 | 1294 | 1334 | 47 | 20 | 200 |
| CKR05BX560K_ | 1215 | 1255 | 1295 | 1335 | 56 | 10 | 200 |
| CKR05BX680K_ | 1216 | 1256 | 1296 | 1336 | 68 | 10 | 200 |
| CKR05BX680M_ | 1217 | 1257 | 1297 | 1337 | 68 | 20 | 200 |
| CKR05BX820K_ | 1218 | 1258 | 1298 | 1338 | 82 | 10 | 200 |
| CKR05BX101K_ | 1219 | 1259 | 1299 | 1339 | 100 | 10 | 200 |
| CKR05BX101M_ | 1220 | 1260 | 1300 | 1340 | 100 | 20 | 200 |
| CKR05BX121K_ | 1221 | 1261 | 1301 | 1341 | 120 | 10 | 200 |
| CKR05BX151K_ | 1222 | 1262 | 1302 | 1342 | 150 | 10 | 200 |
| CKR05BX151M_ | 1223 | 1263 | 1303 | 1343 | 150 | 20 | 200 |
| CKR05BX181K_ | 1224 | 1264 | 1304 | 1344 | 180 | 10 | 200 |
| CKR05BX221K_ | 1225 | 1265 | 1305 | 1345 | 220 | 10 | 200 |
| CKR05BX221M_ | 1226 | 1266 | 1306 | 1346 | 220 | 20 | 200 |
| CKR05BX271K_ | 1227 | 1267 | 1307 | 1347 | 270 | 10 | 200 |
| CKR05BX331K_ | 1228 | 1268 | 1308 | 1348 | 330 | 10 | 200 |
| CKR05BX331M_ | 1229 | 1269 | 1309 | 1349 | 330 | 20 | 200 |
| CKR05BX391K_ | 1230 | 1270 | 1310 | 1350 | 390 | 10 | 200 |
| CKR05BX471K_ | 1231 | 1271 | 1311 | 1351 | 470 | 10 | 200 |
| CKR05BX471M_ | 1232 | 1272 | 1312 | 1352 | 470 | 20 | 200 |
| CKR05BX561K_ | 1233 | 1273 | 1313 | 1353 | 560 | 10 | 200 |
| CKR05BX681K_ | 1234 | 1274 | 1314 | 1354 | 680 | 10 | 200 |
| CKR05BX681M_ | 1235 | 1275 | 1315 | 1355 | 680 | 20 | 200 |
| CKR05BX821K_ | 1236 | 1276 | 1316 | 1356 | 820 | 10 | 200 |
| CKR05BX102K_ | 1237 | 1277 | 1317 | 1357 | 1,000 | 10 | 200 |
| CKR05BX102M_ | 1238 | 1278 | 1318 | 1358 | 1,000 | 20 | 200 |
| CKR05BX122K_ | 1239 | 1279 | 1319 | 1359 | 1,200 | 10 | 100 |
| CKR05BX152K_ | 1240 | 1280 | 1320 | 1360 | 1,500 | 10 | 100 |
| CKR05BX152M_ | 1441 | 1481 | 1521 | 1561 | 1,500 | 20 | 100 |
| CKR05BX182K_ | 1442 | 1482 | 1522 | 1562 | 1,800 | 10 | 100 |
| CKR05BX222K_ | 1443 | 1483 | 1523 | 1563 | 2,200 | 10 | 100 |
| CKR05BX222M_ | 1444 | 1484 | 1524 | 1564 | 2,200 | 20 | 100 |
| CKR05BX272K_ | 1445 | 1485 | 1525 | 1565 | 2,700 | 10 | 100 |
| CKR05BX332K_ | 1446 | 1486 | 1526 | 1566 | 3,300 | 10 | 100 |
| CKR05BX332M_ | 1447 | 1487 | 1527 | 1567 | 3,300 | 20 | 100 |
| CKR05BX392K_ | 1448 | 1488 | 1528 | 1568 | 3,900 | 10 | 100 |
| CKR05BX472K_ | 1449 | 1489 | 1529 | 1569 | 4,700 | 10 | 100 |
| CKR05BX472M_ | 1450 | 1490 | 1530 | 1570 | 4,700 | 20 | 100 |
| CKR05BX562K_ | 1451 | 1491 | 1531 | 1571 | 5,600 | 10 | 100 |
| CKR05BX682K_ | 1452 | 1492 | 1532 | 1572 | 6,800 | 10 | 100 |
| CKR05BX682M_ | 1453 | 1493 | 1533 | 1573 | 6,800 | 20 | 100 |
| CKR05BX822K_ | 1454 | 1494 | 1534 | 1574 | 8,200 | 10 | 100 |
| CKR05BX103K_ | 1455 | 1495 | 1535 | 1575 | 10,000 | 10 | 100 |
| CKR05BX103M_ | 1456 | 1496 | 1536 | 1576 | 10,000 | 20 | 100 |
| CKR05BX123K_ | 1457 | 1497 | 1537 | 1577 | 12,000 | 10 | 50 |
| CKR05BX153K_ | 1458 | 1498 | 1538 | 1578 | 15,000 | 10 | 50 |
| CKR05BX153M_ | 1459 | 1499 | 1539 | 1579 | 15,000 | 20 | 50 |
| CKR05BX183K_ | 1460 | 1500 | 1540 | 1580 | 18,000 | 10 | 50 |
| CKR05BX223K_ | 1461 | 1501 | 1541 | 1581 | 22,000 | 10 | 50 |
| CKR05BX223M_ | 1462 | 1502 | 1542 | 1582 | 22,000 | 20 | 50 |
| CKR05BX273K_ | 1463 | 1503 | 1543 | 1583 | 27,000 | 10 | 50 |
| CKR05BX333K_ | 1464 | 1504 | 1544 | 1584 | 33,000 | 10 | 50 |
| CKR05BX333M_ | 1465 | 1505 | 1545 | 1585 | 33,000 | 20 | 50 |
| CKR05BX393K_ | 1466 | 1506 | 1546 | 1586 | 39,000 | 10 | 50 |
| CKR05BX473K_ | 1467 | 1507 | 1547 | 1587 | 47,000 | 10 | 50 |
| CKR05BX473M_ | 1468 | 1508 | 1548 | 1588 | 47,000 | 20 | 50 |
| CKR05BX563K_ | 1469 | 1509 | 1549 | 1589 | 56,000 | 10 | 50 |
| CKR05BX683K_ | 1470 | 1510 | 1550 | 1590 | 68,000 | 10 | 50 |
| CKR05BX683M_ | 1471 | 1511 | 1551 | 1591 | 68,000 | 20 | 50 |
| CKR05BX823K_ | 1472 | 1512 | 1552 | 1592 | 82,000 | 10 | 50 |
| CKR05BX104K_ | 1473 | 1513 | 1553 | 1593 | 100,000 | 10 | 50 |
| CKR05BX104M_ | 1474 | 1514 | 1554 | 1594 | 100,000 | 20 | 50 |

— Add appropriate failure rate level letter (M, P, R or S)

MILITARY MIL-PRF-39014

Radial Leads



MILITARY DASH NUMBER IDENTIFICATION CKR06 TO MIL-PRF-39014/02

(Dash Number From Table)

| Military Type Designation | Failure Rate Level (%/1,000 Hours) | | | | Capacitance (pF) | Capacitance Tolerance ±Percent | WVDC |
|---------------------------|------------------------------------|---------|----------|-----------|------------------|--------------------------------|------|
| | 1.0 (M) | 0.1 (P) | 0.01 (R) | 0.001 (S) | | | |
| CKR06 (BX) | | | | | | | |
| CKR06BX122K_ | 1201 | 1241 | 1281 | 1321 | 1200 | 10 | 200 |
| CKR06BX152K_ | 1202 | 1242 | 1282 | 1322 | 1500 | 10 | 200 |
| CKR06BX152M_ | 1203 | 1243 | 1283 | 1323 | 1500 | 20 | 200 |
| CKR06BX182K_ | 1204 | 1244 | 1284 | 1324 | 1800 | 10 | 200 |
| CKR06BX222K_ | 1206 | 1246 | 1286 | 1326 | 2200 | 10 | 200 |
| CKR06BX222M_ | 1207 | 1247 | 1287 | 1327 | 2200 | 20 | 200 |
| CKR06BX272K_ | 1208 | 1248 | 1288 | 1328 | 2700 | 10 | 200 |
| CKR06BX332K_ | 1209 | 1249 | 1289 | 1329 | 3300 | 10 | 200 |
| CKR06BX332M_ | 1210 | 1250 | 1290 | 1330 | 3300 | 20 | 200 |
| CKR06BX392K_ | 1211 | 1251 | 1291 | 1331 | 3900 | 10 | 200 |
| CKR06BX472K_ | 1212 | 1252 | 1292 | 1332 | 4700 | 10 | 200 |
| CKR06BX472M_ | 1213 | 1253 | 1293 | 1333 | 4700 | 20 | 200 |
| CKR06BX562K_ | 1214 | 1254 | 1294 | 1334 | 5600 | 10 | 200 |
| CKR06BX682K_ | 1215 | 1255 | 1295 | 1335 | 6800 | 10 | 200 |
| CKR06BX682M_ | 1216 | 1256 | 1296 | 1336 | 6800 | 20 | 200 |
| CKR06BX822K_ | 1217 | 1257 | 1297 | 1337 | 8200 | 10 | 200 |
| CKR06BX103K_ | 1218 | 1258 | 1298 | 1338 | 10,000 | 10 | 200 |
| CKR06BX103M_ | 1219 | 1259 | 1299 | 1339 | 10,000 | 20 | 200 |
| CKR06BX123K_ | 1231 | 1271 | 1311 | 1351 | 12,000 | 10 | 100 |
| CKR06BX153K_ | 1220 | 1260 | 1300 | 1340 | 15,000 | 10 | 100 |
| CKR06BX183K_ | 1221 | 1261 | 1301 | 1341 | 18,000 | 10 | 100 |
| CKR06BX223K_ | 1222 | 1262 | 1302 | 1342 | 22,000 | 10 | 100 |
| CKR06BX273K_ | 1232 | 1272 | 1312 | 1352 | 27,000 | 10 | 100 |
| CKR06BX333K_ | 1223 | 1263 | 1303 | 1343 | 33,000 | 10 | 100 |
| CKR06BX393K_ | 1224 | 1264 | 1304 | 1344 | 39,000 | 10 | 100 |
| CKR06BX473K_ | 1225 | 1265 | 1305 | 1345 | 47,000 | 10 | 100 |
| CKR06BX563K_ | 1226 | 1266 | 1306 | 1346 | 56,000 | 10 | 100 |
| CKR06BX683K_ | 1227 | 1267 | 1307 | 1347 | 68,000 | 10 | 100 |
| CKR06BX823K_ | 1229 | 1269 | 1309 | 1349 | 82,000 | 10 | 100 |
| CKR06BX104K_ | 1230 | 1270 | 1310 | 1350 | 100,000 | 10 | 100 |
| CKR06BX124K_ | 1233 | 1273 | 1313 | 1353 | 120,000 | 10 | 50 |
| CKR06BX154K_ | 1234 | 1274 | 1314 | 1354 | 150,000 | 10 | 50 |
| CKR06BX184K_ | 1235 | 1275 | 1315 | 1355 | 180,000 | 10 | 50 |
| CKR06BX224K_ | 1236 | 1276 | 1316 | 1356 | 220,000 | 10 | 50 |
| CKR06BX274K_ | 1237 | 1277 | 1317 | 1357 | 270,000 | 10 | 50 |
| CKR06BX334K_ | 1238 | 1278 | 1318 | 1358 | 330,000 | 10 | 50 |
| CKR06BX394K_ | 1239 | 1279 | 1319 | 1359 | 390,000 | 10 | 50 |
| CKR06BX474K_ | 1240 | 1280 | 1320 | 1360 | 470,000 | 10 | 50 |
| CKR06BX564K_ | 1404 | 1408 | 1412 | 1416 | 560,000 | 10 | 50 |
| CKR06BX684K_ | 1405 | 1409 | 1413 | 1417 | 680,000 | 10 | 50 |
| CKR06BX824K_ | 1406 | 1410 | 1414 | 1418 | 820,000 | 10 | 50 |
| CKR06BX105K_ | 1407 | 1411 | 1415 | 1419 | 1,000,000 | 10 | 50 |

— Add appropriate failure rate level letter (M, P, R or S)

CKR08 TO MIL-PRF-39014/20 (DASH NUMBER FROM TABLE)

| Military Type Designation | Failure Rate Level (%/1,000 Hours) | Capacitance (pF) | Capacitance Tolerance ±Percent | WVDC |
|---------------------------|------------------------------------|------------------|--------------------------------|------|
| | 1.0 (M) | | | |
| CKR08 (BX) | | | | |
| CKR08BX125K_ | 0104 | 1,200,000 | 10 | 50 |
| CKR08BX155K_ | 0105 | 1,500,000 | 10 | 50 |
| CKR08BX205K_ | 0106 | 2,000,000 | 10 | 50 |

— Add appropriate failure rate level letter (M)

CROSS REFERENCE CHART - AVX MILITARY FOR MOLDED RADIAL LEAD

| Figure | AVX Style | Per Mil-Spec | | | Case Size | | | | |
|--------|-----------|--------------|---------------|------------|-----------------------|-----------------------|----------------------|-----------------------|---------------------|
| | | MIL-C-11015 | MIL-PRF-39014 | MIL-PRF-20 | Length(L) | Width (W) | Thickness (T) | Lead Spacing (LS) | Lead Diameter (LD) |
| 1 | MR05 | CK05 | CKR05 | CCR05/CC05 | 4.83±.25 (.190±.010) | 4.83±.25 (.190±.010) | 2.29±.25 (.090±.010) | 5.08±.38 (.200±.015) | .64±.05 (.025±.002) |
| 2 | MR04 | — | CKR04 | CCR09/CC09 | 4.83±.25 (.190±.010) | 4.83±.25 (.190±.010) | 2.29±.25 (.090±.010) | 2.54±.38 (.100±.015) | .64±.05 (.025±.002) |
| 2 | MR06 | CK06 | CKR06 | CCR06/CC06 | 7.37±.25 (.290±.010) | 7.37±.25 (.290±.010) | 2.29±.25 (.090±.010) | 5.08±.38 (.200±.015) | .64±.05 (.025±.002) |
| 2 | MR68 | — | CKR08 | — | 7.37±.25 (.290±.010) | 7.37±.25 (.290±.010) | 3.68±.38 (.145±.015) | 5.08±.38 (.200±.015) | .64±.05 (.025±.002) |
| 2 | MR07 | — | — | CCR07/CC07 | 12.19±.51 (.480±.020) | 12.19±.51 (.480±.020) | 3.56±.25 (.140±.010) | 10.16±.51 (.400±.020) | .64±.05 (.025±.002) |
| 2 | MR08 | — | — | CCR08/CC08 | 12.19±.51 (.480±.020) | 12.19±.51 (.480±.020) | 6.1±.25 (.240±.010) | 10.16±.51 (.400±.020) | .64±.05 (.025±.002) |

Dimensions: Millimeters (Inches)



The Important Information/Disclaimer is incorporated in the catalog where these specifications came from or available online at www.avx.com/disclaimer/ by reference and should be reviewed in full before placing any order.