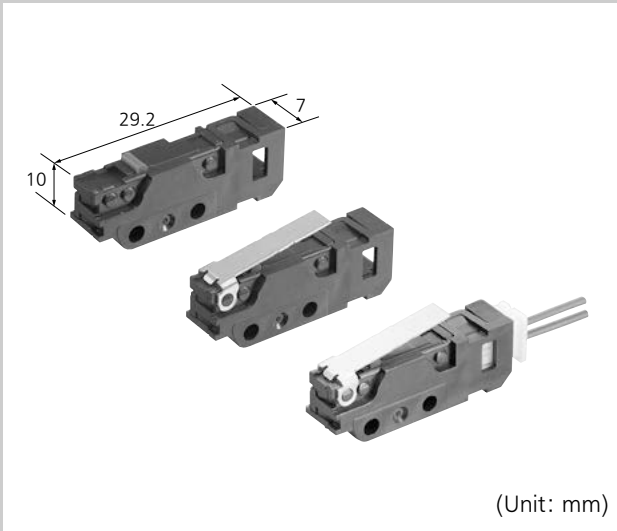


AV6 (CS) Switches

Subminiature Size Connector Integrated Type



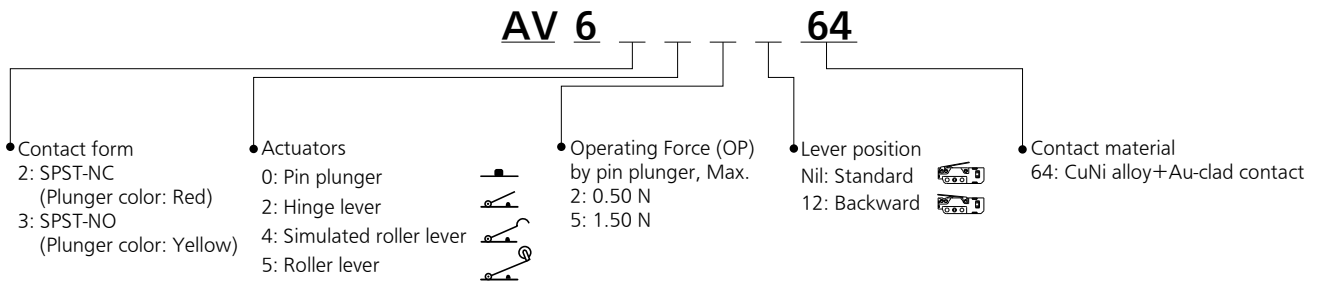
FEATURES

- Easy assembling as this switch is connector integrated
- High contact reliability by simple dust prevention guard and Au-clad double layer contacts
- Two types of contact form are available, the SPST-NC and the SPST-NO.
- The lever position can be changed. the standard lever position and the backward lever position
- Protection grade: IP40

TYPICAL APPLICATIONS

- Vending machine sold-out detection
- Pachinko ball presence detection
- Copying machine
- Printer
- Also for all types of equipment required for maintenance and inspections.

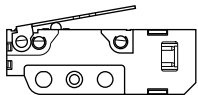
ORDERING INFORMATION (PART NO.)



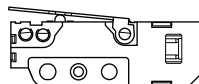
Note) When ordering, please add "A" at the end of the part number.

LEVER POSITION

1) Standard



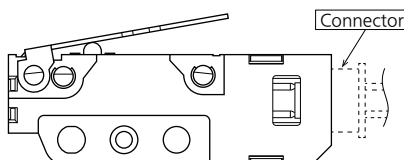
2) Backward



APPLICABLE CONNECTOR

Greatly improved assembling due to connector connection.

- Applicable connector: XA connector produced by JST Mfg. Co., Ltd.
Contact: SXA-001T-P0.6
Housing: XAP-02V-1



AV6 (CS) Switches

TYPES

■ Lever position: Standard

Actuator	Operating Force (OF) Max.	Contact type	
		SPST-NC	SPST-NO
Pin plunger	0.50 N	AV620264	AV630264
	1.50 N	AV620564	AV630564
Hinge lever	0.20 N	AV622264	AV632264
	0.50 N	AV622564	AV632564
Simulated roller lever	0.20 N	AV624264	AV634264
	0.50 N	AV624564	AV634564
Roller lever	0.20 N	AV625264	AV635264
	0.50 N	AV625564	AV635564

■ Lever position: Backward

Actuator	Operating Force (OF) Max.	Contact type	
		SPST-NC	SPST-NO
Hinge lever	0.35 N	AV62221264	AV63221264
	1.00 N	AV62251264	AV63251264
Simulated roller lever	0.35 N	AV62421264	AV63421264
	1.00 N	AV62451264	AV63451264
Roller lever	0.35 N	AV62521264	AV63521264
	1.00 N	AV62551264	AV63551264

RATING

■ Contact rating

Contact	Contact voltage	Resistive load (cos ϕ \approx 1)
CuNi alloy + Au-clad contact	30 V DC	0.1 A
	5 V DC	1 mA Low-level circuit rating

■ Specifications

Item	Specifications	
Expected life	Mechanical (OT) Max.	Min. 5×10^5 (at 60 cpm)
	Electrical (Rated load OT Max.)	Min. 2×10^5 (at 20 cpm)
Insulation resistance	Min. 100 M Ω	
Dielectric strength	Between non-continuous terminals	1,000 Vrms for 1 min.
	Between each terminal and other exposed metal parts	1,500 Vrms for 1 min.
	Between each terminal and ground	1,500 Vrms for 1 min.
Contact resistance (initial)	100 m Ω max. (by voltage drop 0.1 A 6 to 8 V DC) Value includes the resistance between the connector and the lead (#AWG28, length: 50 mm)	
Vibration resistance (malfunction vibration resistance)	10 to 55 Hz at single amplitude of 0.75 mm (Contact opening: max. 1 msec)	
Shock resistance (malfunction shock resistance)	Applied shock 1.50 N type: Min.300 m/s ² (Contact opening: Max. 1 msec) 0.50 N type: Min.150 m/s ² (Contact opening: Max. 1 msec)	
Connector insertion force	Max. 20 N (inserted in removal direction)	
Connector holding force	Min. 20 N (extracted by static load, in removal direction)	
Connector removal operating times	Max. 5 times (in removal direction)	
Allowable operating speed (No load)	0.1 to 1,000 mm/s (at pin plunger)	
Max. operating cycle rate (No load)	300 cpm	
Ambient temperature	-25 to +85°C (No freezing and condensing)	
Unit weight	Approx. 2.5 g (pin plunger type)	
Contact specifications	Contact material	CuNi alloy + Au-clad
Protection grade		IP40

Operating characteristics

1) Lever position: Standard

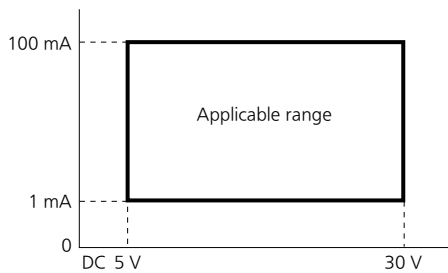
Actuator	Operating Force (OF) Max.	Release Force (RF) Min.	Pretravel (PT) Max.	Movement Differential (MD) Max.	Overtravel (OT) Min.	Operating Position (OP)
Pin plunger	0.50 N	0.04 N	0.6 mm	0.1 mm	0.4 mm	8.4±0.3 mm
	1.50 N	0.25 N				
Hinge lever	0.20 N	0.02 N	2.6 mm	0.8 mm	1.2 mm	10.0±0.8 mm
	0.50 N	0.06 N				
Simulated roller lever	0.20 N	0.02 N	2.6 mm	0.8 mm	1.2 mm	12.2±0.8 mm
	0.50 N	0.06 N				
Roller lever	0.20 N	0.02 N	2.6 mm	0.8 mm	1.2 mm	15.7±0.8 mm
	0.50 N	0.06 N				

2) Lever position: Backward

Actuator	Operating Force (OF) Max.	Release Force (RF) Min.	Pretravel (PT) Max.	Movement Differential (MD) Max.	Overtravel (OT) Min.	Operating Position (OP)
Hinge lever	0.35 N	0.03 N	1.4 mm	0.6 mm	0.7 mm	9.2±0.6 mm
	1.00 N	0.10 N				
Simulated roller lever	0.35 N	0.03 N	1.4 mm	0.6 mm	0.7 mm	11.3±0.6 mm
	1.00 N	0.10 N				
Roller lever	0.35 N	0.03 N	1.4 mm	0.6 mm	0.7 mm	14.9±0.6 mm
	1.00 N	0.10 N				

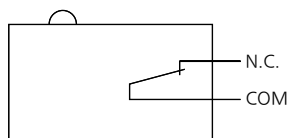
DATA

CURRENT CAPACITY (reference)

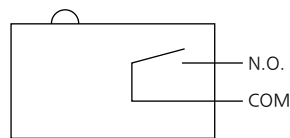


CONTACT FORM

1) SPST-NC



2) SPST-NO



AV6 (CS) Switches

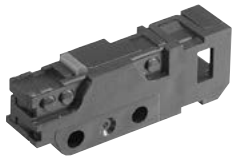
DIMENSIONS

CAD The CAD data of the products with a "CAD" mark can be downloaded from our Website.

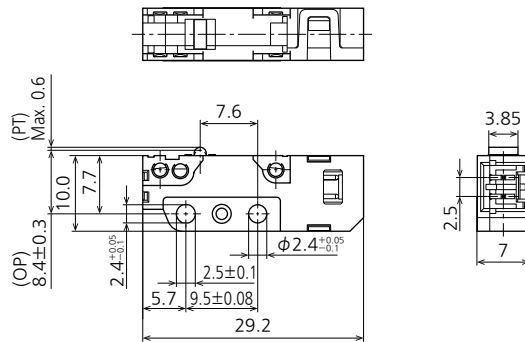
Unit: mm

Pin plunger

CAD



External dimensions



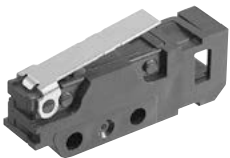
General tolerance: ±0.25

Pretravel (PT) Max.	0.6 mm	
Movement Differential (MD) Max.	0.1 mm	
Overtravel (OT) Min.	0.4 mm	
Operating Position (OP)	Distance from mounting hole	8.4±0.3 mm

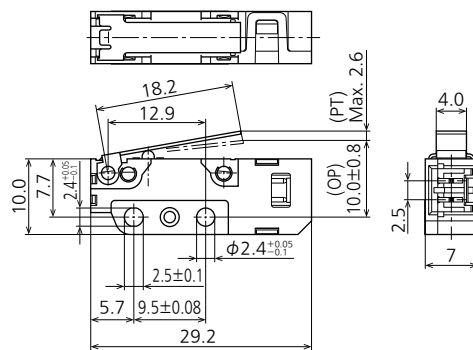
Hinge lever

CAD

● Lever position: Standard



External dimensions



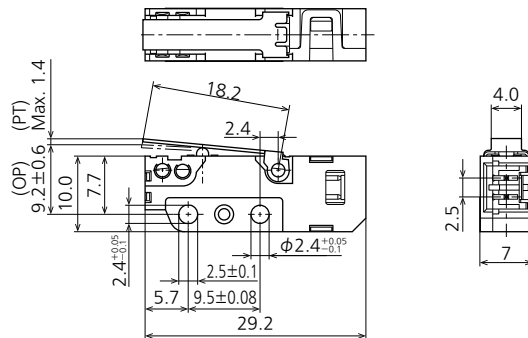
General tolerance: ±0.25

Pretravel (PT) Max.	2.6 mm	
Movement Differential (MD) Max.	0.8 mm	
Overtravel (OT) Min.	1.2 mm	
Operating Position (OP)	Distance from mounting hole	10.0±0.8 mm

● Lever position: Backward



External dimensions



General tolerance: ±0.25

Pretravel (PT) Max.	1.4 mm	
Movement Differential (MD) Max.	0.6 mm	
Overtravel (OT) Min.	0.7 mm	
Operating Position (OP)	Distance from mounting hole	9.2±0.6 mm

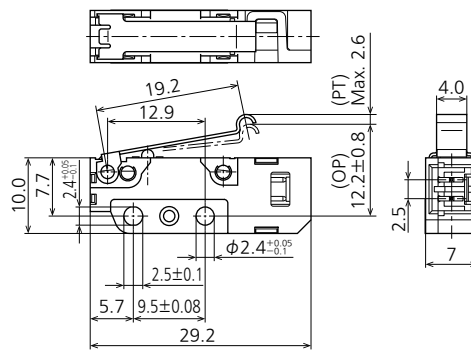
■ Simulated roller lever

CAD

● Lever position: Standard



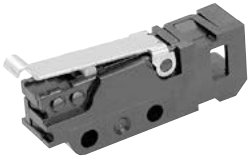
External dimensions



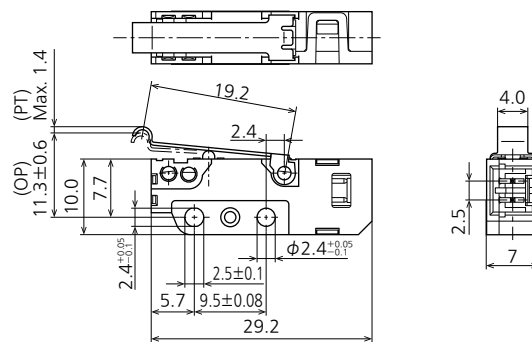
General tolerance: ±0.25

Pretravel (PT) Max.	2.6 mm
Movement Differential (MD) Max.	0.8 mm
Overtravel (OT) Min.	1.2 mm
Operating Position (OP)	Distance from mounting hole 12.2±0.8 mm

● Lever position: Backward



External dimensions



General tolerance: ±0.25

Pretravel (PT) Max.	1.4 mm
Movement Differential (MD) Max.	0.6 mm
Overtravel (OT) Min.	0.7 mm
Operating Position (OP)	Distance from mounting hole 11.3±0.6 mm

AV6 (CS) Switches

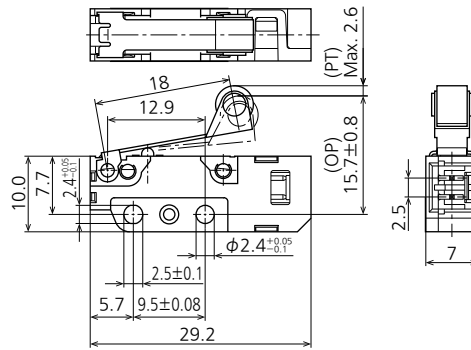
Roller lever

CAD

● Lever position: Standard



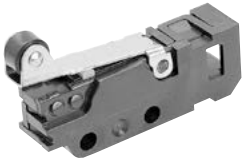
External dimensions



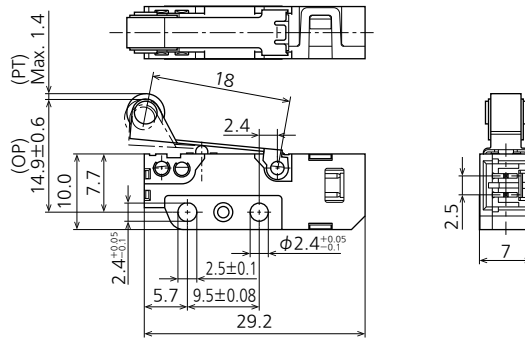
General tolerance: ± 0.25

Pretravel (PT) Max.	2.6 mm
Movement Differential (MD) Max.	0.8 mm
Overtravel (OT) Min.	1.2 mm
Operating Position (OP)	Distance from mounting hole 15.7±0.8 mm

● Lever position: Backward



External dimensions



General tolerance: ± 0.25

Pretravel (PT) Max.	1.4 mm
Movement Differential (MD) Max.	0.6 mm
Overtravel (OT) Min.	0.7 mm
Operating Position (OP)	Distance from mounting hole 14.9±0.6 mm

GUIDELINES FOR USAGE**■ Fastening of the switch body**

- 1) To secure the switch, please use an M2.3 screw on a flat surface and tighten using a maximum torque of 0.29 N·m. It is recommended that both flat metal washer and spring washers be used with the screws and adhesive be applied to lock the screws to prevent loosening of the screws.
- 2) Be sure to maintain adequate insulating clearance between each terminal and ground.
- 3) When the operation object is in the free position, force should not be applied directly to the actuator or pin plunger. Also force should be applied to the pin plunger from vertical direction to the switch.
- 4) In setting the movement after operation, the over-travel should be set more than 70% as a standard. With the lever type, do not apply excessive force in the direction opposite to the movement, or from the horizontal direction.
- 5) After installing, attach with the lever side oriented downward to avoid the weight of the lever.

■ About the connector

- 1) The connector on the AV6 (CS) switch is designed to fit with the XA connector produced by JST Mfg. Co., Ltd. Do not use any connector other than the specified connector, or solder the terminals directly.
- 2) Make sure leads are arranged so that no constant force is applied to them when the connectors are mated.
- 3) Keep the connector straight when inserting it. If it is inserted at an angle, it may snag near the entrance, or it may be inserted too forcefully.
- 4) Problems thought to be caused by the XA connector, which is specified as conforming to the AV6 (CS) switch connector, are not covered by the warranty. Please contact JST Mfg., Co., Ltd. and request cooperation in resolving the problem.

■ Selection of switch

Please make your selection so that there will be no problems even if the operating characteristics vary up to $\pm 20\%$ from the standard values.

■ Environment

Avoid using and storing these switches in a location where they will be exposed to corrosive gases, silicon, or high dust levels, all of which can have an adverse effect on the contacts.

■ Precautions concerning circuits

The AV6 (CS) switch is designed specifically for low-voltage, low-current loads. Avoid using it at loads that exceed the rating load.

■ Quality check under actual loading conditions

To assure reliability, check the switch under actual loading conditions. Avoid any situation that may adversely affect switching performance.

Please refer to **"the latest product specifications"** when designing your product.

•Requests to customers:

<https://industrial.panasonic.com/ac/e/salespolicies/>

Technical Terminology & Cautions for Use (Detection Switches)

TECHNICAL TERMINOLOGY

■ Detection Switches

A compact switch equipped with an enclosed micro-gap snapaction contact mechanism that makes a specified motion with a specified force to open/close a circuit, and an actuator outside the enclosure (hereinafter referred to as the switch)

■ Actuator

A part of the switch that transmits the received external force to an internal spring mechanism to move the movable contact so that the switch can be opened and closed

■ Actuator stopper

A part of the switch to limit the actuator movement in the switch operation direction

■ Rated values

Values indicating the characteristics and performance guarantee standards of the snap-action switches. The rated current and rated voltage, for instance, assume specific conditions (type of load, current, voltage, frequency, etc.).

■ Mechanical life

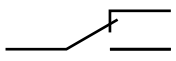

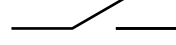
The service life when operated at a preset operating frequency without passing electricity through the contacts. (The life test is performed at a switching frequency of 60 times/minute and operating speed of 100 mm/second at the regular cam.)

■ Electrical life

The service life when the rated load is connected to the contact and switching operations are performed. (The life test is performed at a switching frequency of 20 times/minute and operating speed of 100 mm/second at the regular cam.)

■ Contact form

This refers to the components determining the type of application which make up the electrical input/output circuits in the contact.

SPDT	
SPST-N.C.	
SPST-N.O.	

■ Insulation resistance

Resistance between non-continuous terminals, each terminal and other exposed metal parts and between each terminal and ground.

■ Dielectric

Threshold limit value that a high voltage can be applied to a predetermined measuring location for one minute without causing damage to the insulation.

■ Contact resistance

This indicates the electrical resistance at the contact part. Generally, this resistance includes the conductor resistance of the spring and terminal portions.

■ Vibration resistance

Malfunction vibration ... Vibration range where a closed contact does not open for longer than a specified time due to vibrations during use of the snap-action switches.

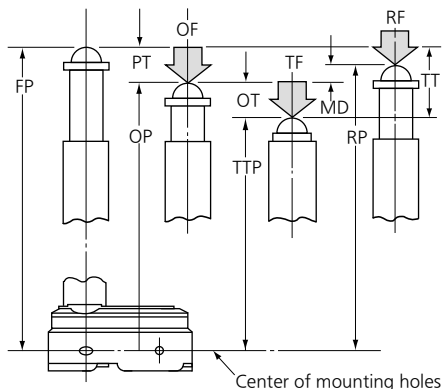
■ Shock resistance

Shock durability ... Shock range where the mechanical shocks received during snap-action switches transport and installation do not damage the parts or harm the operating characteristics.
Malfunction shock ... Shock range where a closed contact does not open for longer than a specified time due to shocks during use of the snap-action switches.

TECHNICAL TERMINOLOGY

Definition of operating characteristic

The main terminological illustrations and meanings which are used with snapaction switches are as follows.



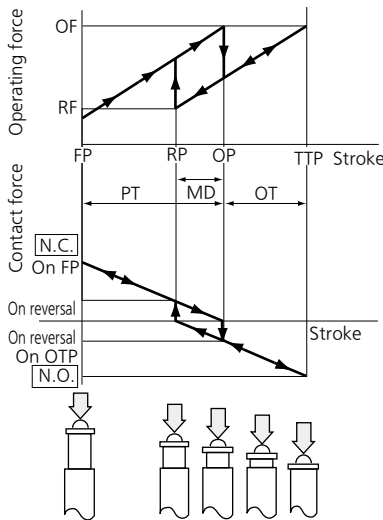
Classification	Terminology	Symbol	Unit	Varying display method	Starting current
Force	Operating Force	OF	N	Max.	The force required to cause contact snap-action. It is expressed terms of force applied to the the actuator.
	Release Force	RF	N	Min.	The force to be applied to the the actuator at the moment contact snaps back from operated position to total travel position.
	Totaltravel Force	TF	N		Force applied to an actuator required to move from an operating position to a total travel position
Movement	Pretravel	PT	mm, degree	Max.	Distance or agree of the actuator movement from free position to operating position.
	Overtravel	OT	mm, degree	Min.	The distance or degree which the actuator is permitted to travel after actuation without any damage to the switching mechanism.
	Movement Differential	MD	mm, degree	Max.	The distance or degree from operating position to release position of the actuator.
	Totaltravel	TT	mm, degree		The migration length or the move angle from the free position to total travel position of actuator
Position	Free Position	FP	mm, degree		Position of the actuator when no force is applied to.
	Operating Position	OP	mm, degree	±	The position of the actuator when the traveling contacts snaps with the fixed contact.
	Release Position	RP	mm, degree		The position of the actuator when the traveling contact snaps back from operating position to its original position.
	Total travel Position	TTP	mm, degree		The stopping position of the actuator after total travel.

TECHNICAL NOTES ON MECHANICAL CHARACTERISTICS

Actuation Force and Stroke

Adequate stroke setting is the key to high reliability. It is also important that adequate contact force be maintained to ensure high reliability. For a normally closed (N.C.) circuit, the driving mechanism should be set so that the actuator is normally in the free position. For a normally open (N.O.) circuit, the actuator should be pressed to 70% to 100% of the specified stroke to absorb possible errors. If the stroke is set too close to the operating point (OP), this may cause unstable contact, and in the worst case may cause actuator damage due to inertia of the drive mechanism. It is advisable that the stroke be adjusted with the mounting plate or driving mechanism.

The figure at right shows a typical example of activation and contact forces varying with stroke. In the vicinity of the OP and RP, the contact force is diminished, causing chatter and contact bounce immediately before or after reversal. For this reason, use the switch while giving due consideration to this. This also causes the snap action switch to be sensitive to vibration or shock.



Changes in Operating Characteristics

Exercise design care so that malfunctions will not occur if the operating characteristics vary by as much as 20% from, rated values.

<Example>

In the OF Max. 0.98N specification for FS snap-action switches, the allowable Max. is 0.98 N (100%+20%) = 1.18 N

In the RF Min. 0.15 N Min. specification the allowable Min. 0.15 N (100%-20%) = 0.12 N

Mechanical Conditions for Type Selection

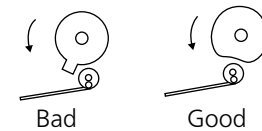
Actuator type should be selected according to activation method, activation speed, activation rate, and activation frequency.

- 1) An extremely slow activation speed may cause unstable contact transfer, possibly resulting in contact failures or contact fusion.
- 2) An extremely high activation speed may cause damage to contacts or contact response failure.

Driving Mechanism

Use of a driving mechanism which will cause physical impact to the actuator should be avoided.

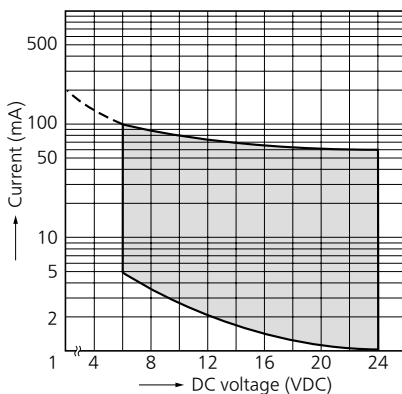
<Example>



TECHNICAL NOTES ON ELECTRICAL CHARACTERISTICS

- 1) The snap-action switch is designed for AC operations. While it has small contact gaps and no arc absorber, it may be used for low-capacity DC operations. Please refer to the rating of each products
- 2) For applications with very small switching voltage or current, choose the low-level load type (Au contact).

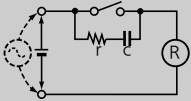
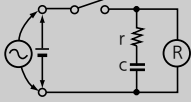
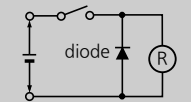
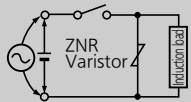
Small current and voltage application range (Au contact)



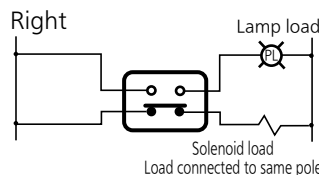
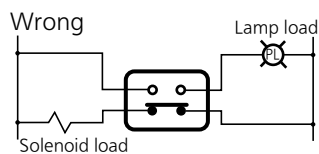
- 3) When selecting a contact type of a snap-action switch to be used for low-level load switching, the following should be noted. Silver contacts' surfaces are prone to be oxidized and form a sulfide film. The switch operates with no problems at the beginning of use. However, as the contact surfaces develop films with time, the film may not be broken by the switching operation, causing a conduction failure. Therefore, please choose the Au contact type for switching a load of 0.1 A or below.
- 4) Application to Electronic Circuits
 - The snap-action switch contacts can sustain bounce or chatter when closed. Bounce or chatter can cause noise or pulse count errors when the snap action switch is used in electronic circuits.
 - If contact bounce or chatter poses problems in the vicinity of the OP and RP, use a suitable absorption network, such as a C/R network.
- 5) Check the surge current, normal current and surge duration.
- 6) Contact resistance given in performance specifications is measured with a voltage drop method using 6 to 8 V DC, 1 A (except for low-level load type). Contact resistance across COM and N.C. terminals is measured in the free position, while contact resistance across COM and N.O. terminals is measured in the total travel position.
- 7) To prevent contact welding failure, be sure to use a serial resistance for each capacitive load.
- 8) If snap-action switch operation is synchronized with the AC supply phase, this may cause: shortened electrical life, contact fusion failure, contact transfer, or other reliability problems.

CAUTIONS IN A CIRCUIT

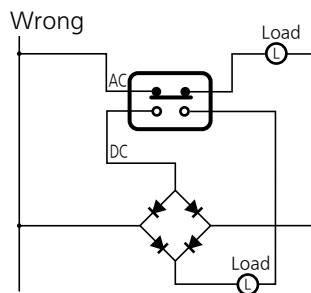
1) Contact protection is recommended when snap-action switches are used in an inductive load circuit.

Circuit diagram	Cautions for use
Contact for snap-action switch 	(1) $r =$ more than 10Ω (2) In an AC circuit Impedance of R is to be slightly smaller than impedance of r and c.
Contact for snap-action switch 	Can be used for both AC and DC. Impedance of r is nearly equal to impedance of R. C: $0.1 \mu\text{F}$
Contact for snap-action switch 	(1) For DC circuits only.
Contact for snap-action switch 	Can be used for both AC and DC.

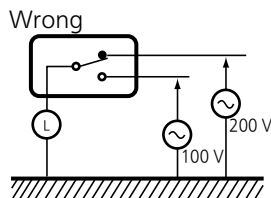
2) Do not connect the contacts on individual switches to different type or different poles of the power supply.
 Examples of power supply connections (connection to different poles)



Example of wrong power supply connection (connection to different poles of power supply)
 This may lead to mixed DC and AC.



3) Avoid circuits which apply voltage between contacts. (This may lead to mixed deposition.)



MOUNTING STATE AND ENVIRONMENT

■ Checking the insulation distance

After mounting and wiring, check the insulation distance between terminals and the ground. If the insulation distance is inadequate, mount insulating material between as required.

■ Fastening the snap-action switch body

See the Section "CAUTIONS FOR USE" for the individual switch.

■ Position adjustment with effector

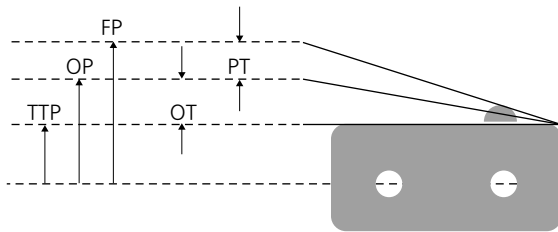
- 1) The effector should be positioned so that direct force is not applied to the plunger or actuator in its free position. The operating force to the plunger should only be applied in a perpendicular direction.
- 2) Note that the use of the switch as a stopper may cause an operational problem.

■ Switch installation position

● Basically, the switch should be installed so that the object to press the switch's plunger or lever can press it down to 70 to 100% of OT of the switch. When determining the position, the tolerance of OP (Operating Position) and other factors should be taken into account. The following describes the case where the strictest tolerance conditions are adopted.

● Example: Hinge lever type FS switch

Reference values: OP = 8.8 ± 0.8 mm
 PT = Max. 2.8 mm
 OT = Min. 1.2 mm



- (1) When the switch is not pressed
 The object to press the lever should not be in contact with the lever.
 For this purpose, the object should be at a distance from the switch fater than the maximum FP (Free Position) value.
 $FP \text{ Max} = OP \text{ Max} + PT \text{ Max} = 9.6 + 2.8 = 12.4 \text{ mm Max}$
 The object should be at a distance of 12.4 mm or more from the mounting hole.
- (2) Depressed position
 The plunger/lever should be pressed down to 70% or more of OT (Over Travel). Therefore, the depressed position should be calculated based on the minimum value of OP (Operating Position) and the 70 and 100% of the OT value.
 $OP \text{ Min} - 70\% \text{ of OT} = 8.0 - 0.84 = 7.16 \text{ mm}$
 $OP \text{ Min} - 100\% \text{ of OT} = 8.0 - 1.2 = 6.80 \text{ mm}$
 The plunger/lever should be pressed down to the position of 6.80 to 7.16 mm from the mounting hole.

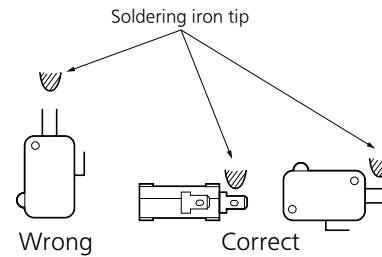
■ Soldering precautions

For manual soldering, lay the terminals flat (horizontal with the ground) and quickly perform the soldering operation using a soldering iron with the appropriate heat capacity and the proper amount of solder. Take care that the flux does not flow into the switch interior by using a ventilation fan to discharge flux gas and to prevent contact of the switch body with the soldering iron tip. Be careful not to apply force to the lead wires or the terminal portions immediately after soldering.

The temperature setting and time conditions vary depending on the product.

See the section "CAUTIONS FOR USE" for each product.

<Examples>



■ Avoid using in a silicon atmosphere

Avoid using organic silicon rubber, adhesives, sealing compounds, oil, grease, and wires in a silicon atmosphere.

■ Please consult us when using under the following conditions*:

- 1) Environments where hydrogen sulfide or other corrosive gases are present.
- 2) Environments where gasoline, thinner or other flammable, explosive gases are present.
- 3) Dusty environments (for non-seal type snap action switches).
- 4) The perpendicular operating speed exceeds the allowable operating speed.
- 5) Switching between different poles.
- 6) Use in environments not in the prescribed temperature or humidity range.

■ Storage precautions

To prevent discoloration due to sulfurization of the terminals (silver-plated), store the switches in a polyethylene bag or other suitable airtight container.

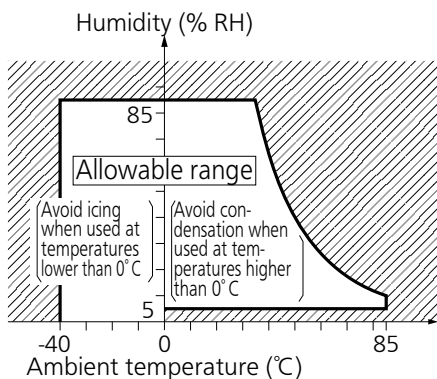
■ Usage, storage, and transport conditions (except turquoise switches)

During usage, storage, or transportation, avoid locations subject to direct sunlight and maintain normal temperature, humidity, and pressure conditions.

The allowable specifications for environments suitable for usage, storage, and transportation are given below.

- 1) Temperature: The allowable temperature range differs for each switch, so refer to the switch's individual specifications. In addition, when transporting or storing switches while they are tube packaged, there are cases when the temperature may differ from the allowable range. In this situation, be sure to consult the individual specifications.
- 2) Humidity: The allowable humidity range differs for each switch, so refer to the switch's individual specifications.
- 3) Pressure: 86 to 106 kPa

The humidity range varies with the temperature. Use within the range indicated in the graph below.



(The allowable temperature depends on the switch.)

- Condensation will occur inside the switch if there is a sudden change in ambient temperature when used in an atmosphere of high temperature and high humidity. This is particularly likely to happen when being transported by ship, so please be careful of the atmosphere when shipping. Condensation is the phenomenon whereby steam condenses to cause water droplets that adhere to the switch when an atmosphere of high temperature and humidity rapidly changes from a high to low temperature or when the switch is quickly moved from a low humidity location to one of high temperature and humidity. Please be careful because condensation can cause adverse conditions such as deterioration of insulation, coil cutoff, and rust.
- Condensation or other moisture may freeze on the switch when the temperatures is lower than 0°C 32°F. This causes problems such as sticking of movable parts or operational time lags.
- The plastic becomes brittle if the switch is exposed to a low temperature, low humidity environment for long periods of time.
- Storage for extended periods of time (including transportation periods) at high temperatures or high humidity levels or in atmospheres with organic gases or sulfide gases may cause a sulfide film or oxide film to form on the surfaces of the contacts and/or it may interfere with the functions. Check out the atmosphere in which the units are to be stored and transported.
- In terms of the packing format used, make every effort to keep the effects of moisture, organic gases and sulfide gases to the absolute minimum.

■ We reserve the right to modify without notice the materials, internal components, and other parts to improve product quality.

■ Handling precautions





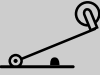
When handling the switches, be careful not to drop them on the floor since this may damage them.

* Select contact sulfurization (clipping) prevention products (FS and Au-clad double layer contacts) for use with extremely small loads or an environment-resistant Turquoise switch.

■ Others

- 1) Failure modes of switches include short-circuiting, opencircuiting and temperature rises. If this switch is to be used in equipment where safety is a prime consideration, examine the possible effects of these failures on the equipment concerned, and ensure safety by providing protection circuits or protection devices. In terms of the systems involved, make provision for redundancy in the design and take steps to achieve safety design.
- 2) The ambient operating temperature (and humidity) range quoted is the range in which the switch can be operated on a continuous basis: it does not mean that using the switch within the rating guarantees the durability performance and environment withstanding performance of the switch. For details on the performance guarantee, check the specifications of each product concerned.

Technical Terminology & Cautions for Use (Detection Switches)

Shape	Classification	Pretravel (PT)	Overtravel (OT)	Operating Force (OF)	Vibration Shock	Features
	Pin plunger	Small	Small	Large	Outstanding	Appropriate for linear short-stroke action. Pin plunger acts directly on snap action mechanism, enabling high-precision positioning. Amount of movement after operation is smallest among all of the actuators, however, so reliable stopper is required.
	Hinge lever	Large	Medium	Small	Possible	Little force required for operation. Appropriate for use with low-speed cams and dogs; has large stroke. Lever available in various shapes to fit operating unit.
	Simulated roller lever	Large	Medium	Small	Possible	Tip of hinge lever is bent into a semi-circle, enabling use as a simple roller type.
	Leaf lever	Large	Large	Small	Excellent	Play in lever is used to assure maximum stroke. Construction provides for space where lever is attached, for outstanding resistance to freezing.
	Hinge roller lever	Large	Medium	Small	Possible	This is a hinge lever with a roller, and can be used with high-speed cams and dogs. The force required for pin plunger action is lighter than that of the lever, and the stroke is longer.

Please contact

Panasonic Corporation

Electromechanical Control Business Division

■1006, Oaza Kadoma, Kadoma-shi, Osaka 571-8506, Japan
industrial.panasonic.com/ac/e/

Panasonic®

©Panasonic Corporation 2021