

60V Four-Switch Synchronous Buck-Boost Controller

DESCRIPTION

The DC2123B is a 60V four-switch synchronous buck-boost controller that demonstrates the high power capability of the LT[®]3790. The output is 24V and the maximum output current is 5A. The switching frequency is 200kHz and efficiency is as high as 98% for a 24V input.

The LT3790 is capable of high power operation. DC2123B can be altered for increased output power with higher minimum input voltage. If V_{IN} remains always above 20V, I_{OUT} can be increased to 12A⁺ (for 290W output) by changing RS2 to 4m Ω .

The operating input voltage range of DC2123B is from 8V to 56V. The output voltage, EN/UVLO, and OVLO are all programmed by resistor dividers. EN/UVLO is set so the circuit will turn off when the input voltage falls below 8V and will turn on when the input voltage rises above 9.6V. OVLO is set to engage for input voltages above 57V.

Current sense resistors program input and output current limits and also determine the monitoring voltages that indicate input and output current. IVINMON provides a 30mV/1A voltage that is used to monitor the input current. Input current limit occurs at 33.3A and is set by RIN1. ISMON provides a 160mV/1A voltage that is used to monitor the output current. The output current limit is 7.5A and is set by RS2.

The demo circuit features MOSFETs that compliment the 5V gate drive of the LT3790 to achieve high efficiency. 60V MOSFETs are used on the input side of the four-switch topology while 40V MOSFETs are used on the output side. Ceramic capacitors are used at both the circuit input and output because of their small size and high ripple current capability. In addition to ceramic capacitors, there is an aluminum polymer capacitor on the output that assures feedback loop stability, even at low temperatures. The input has an aluminum electrolytic capacitor in addition to ceramic capacitors. A two-stage L-C input filter can easily be added for electro-magnetic compatibility. The

pcb has large copper planes and extensive vias for thermal performance.

The CLKOUT output and the SYNC input can be used to synchronize switching between two or more DC2123B circuits. A resistor from SYNC to ground must be removed prior to using the SYNC input.

\overline{SHORT} and $\overline{C/10}$ are open-collector status flag outputs and are pulled up to the $INTV_{CC}$ pin voltage. A resistor shorts the CCM pin to $\overline{C/10}$ and causes the circuit to change to discontinuous conduction mode (DCM) when $\overline{C/10}$ is active at light load currents. CCM can also be connected with a resistor to $INTV_{CC}$ instead of $\overline{C/10}$ for continuous conduction mode (CCM) operation over the entire load range.

The CTRL input is pulled up to the V_{REF} pin through a 0 Ω resistor to set the output current limit to its maximum, and an external voltage on CTRL can be used to lower the current limit if the resistor is removed. A capacitor at the SS pin programs soft-start and additionally SS is pulled up to the V_{REF} pin through a 100k resistor. The switching frequency is adjustable with a resistor.

The demo circuit is designed to be easily reconfigured to many other applications, including the example schematics in the data sheet. Consult the factory for assistance.

High power operation, four-switch buck-boost topology, fault protection and full monitoring make the LT3790 attractive for high power voltage regulator circuits and also circuits that require output current regulation such as battery chargers. The LT3790EFE is available in a thermally enhanced 38-lead TSSOP package. The LT3790 data sheet must be read in conjunction with this demo manual to properly use or modify demo circuit DC2123B.

Design files for this circuit board are available at <http://www.linear.com/demo/DC2123B>

LT, LT, LTC, LTM, Linear Technology and the Linear logo are registered trademarks of Linear Technology Corporation. All other trademarks are the property of their respective owners.

PERFORMANCE SUMMARY Specifications are at $T_A = 25^\circ\text{C}$

PARAMETER	CONDITIONS	MIN	TYP	MAX	UNITS
Minimum Input Voltage, V_{PVIN}	$V_{OUT} = 24V$ $I_{OUT} \leq 5A$		8		V
Maximum Input Voltage, V_{PVIN}	$V_{OUT} = 24V$ $I_{OUT} \leq 5A$		56		V
Maximum Output Current	$8V < V_{PVIN} < 56V$, CTRL = V_{REF}	5			A
Input EN Voltage, $V_{PVIN(EN)}$	R3 = 88.7k, R4 = 499k, V_{PVIN} Rising		9.6		V
Input UVLO Voltage, $V_{PVIN(UVLO)}$	R3 = 88.7k, R4 = 499k, V_{PVIN} Falling		8.0		V
Input OVLO Turn-Off Voltage, $V_{PVIN(OVLO \text{ turn-off})}$	R11 = 27.4k, R1 = 499k, V_{PVIN} Rising		57.6		V
Input OVLO Turn-On Voltage, $V_{PVIN(OVLO \text{ turn-on})}$	R11 = 27.4k, R1 = 499k, V_{PVIN} Falling		56.2		V
Output Voltage V_{OUT}	R19 = 71.5k, R34 = 1.37k, R20 = 3.83k	23.5		24.5	V
Efficiency	$V_{PVIN} = 24V$, $I_{OUT} = 5A$		98		%
Switching Frequency	R18 = 147k		200		kHz
Input Current Limit	RIN1 = 0.0015 Ω		33		A
Output Current Limit	RS2 = 0.008 Ω		7.5		A

QUICK START PROCEDURE

It is easy to set up demonstration circuit DC2123B to evaluate the performance of the LT3790. Refer to Figure 1 for the proper measurement equipment setup and follow the procedure below:

NOTE: Make sure that the voltage applied to PV_{IN} does not exceed the absolute maximum voltage rating of 60V for the LT3790.

1. Connect the EN/UVLO terminal to ground with a clip-on lead. Connect the power supply (with power off), load, and meters as shown.

2. After all connections are made, turn on the input power and verify that the input voltage is between 8V and 56V.
3. Remove the clip-on lead from EN/UVLO. Verify that the output voltage is 24V.

NOTE: If the output voltage is low, temporarily disconnect the load to make sure that it is not set too high.

4. Once the proper output voltage is established, adjust the input voltage and load within the operating ranges and observe the output voltage regulation, ripple voltage, efficiency and other parameters.

QUICK START PROCEDURE

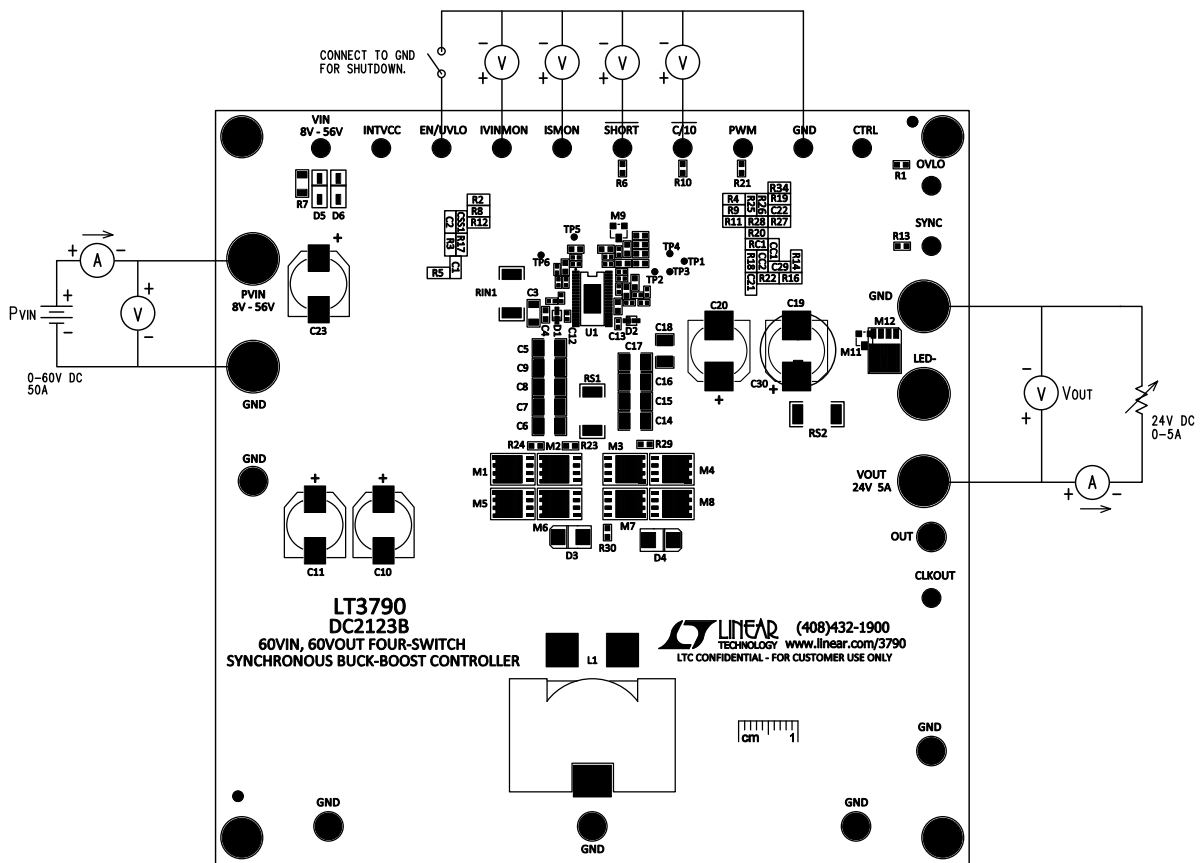


Figure 1. Proper Measurement Equipment Setup for DC2123B

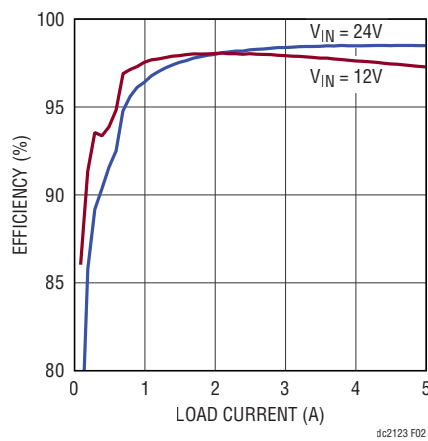


Figure 2. Efficiency

QUICK START PROCEDURE



Figure 3. Output Voltage Ripple at 5A Output Current, $V_{OUT} = 24V$, 25MHz Bandwidth

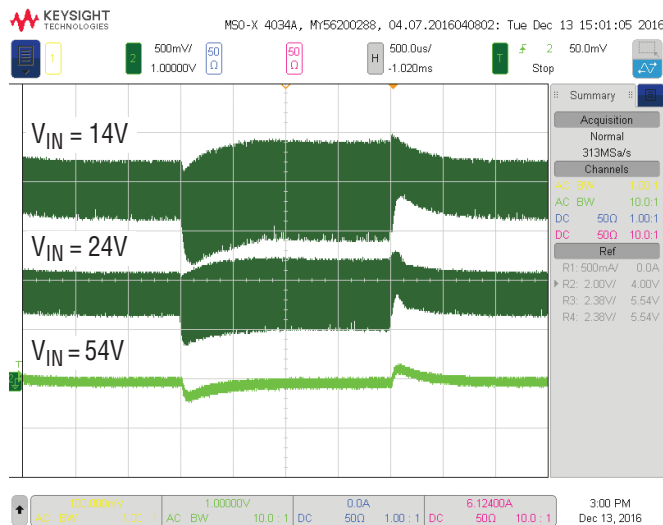


Figure 4. Output Voltage Load Transient Response, $V_{OUT} = 24V$, $I_{OUT} = 2.5A$ to $5A$ to $2.5A$, 25MHz Bandwidth

QUICK START PROCEDURE

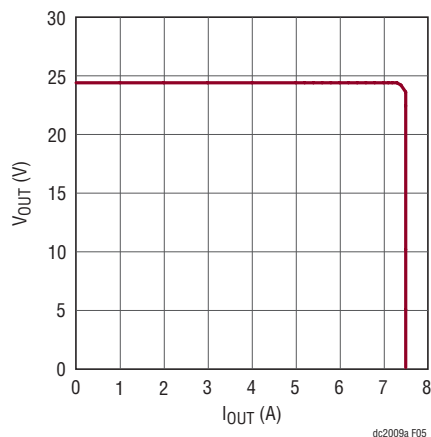


Figure 5. V_{OUT} in Current Limit, $V_{IN} = 24V$

DIFFERENCES BETWEEN LT3790 AND LT3791-1

The LT3790 is an improved version of the LT3791-1 and is recommended for use in new designs. Some external component values may change, but otherwise, the LT3790 is functionally equivalent to the LT3791-1. The differences between the two products are:

1. The LT3790 has a 60mV (typical) full-scale $V_{(ISP-ISN)}$ current sense voltage, compared to 100mV (typical) for the LT3791-1. This change allows lower power current sense resistors to be used for most applications.
2. The LT3790 CTRL pin linear range is from 0V to 1.1V, and has a turn-off threshold of 50mV (typical), compared to a 200mV to 1.1V linear range and 175mV (typical) turn-off threshold for the LT3791-1. These changes make it easier to parallel two or more LT3790 ICs for higher power levels.
3. The LT3790 $\overline{C/10}$ pin pulls low when the $V_{(ISP-ISN)}$ voltage is less than 1/10 full scale, compared to the LT3791-1, where $\overline{C/10}$ pulls low when both $V_{(ISP-ISN)}$ is less than 1/10 full scale and V_{FB} is greater than 1.15V (typical). Since the $\overline{C/10}$ pin is used to allow DCM mode for some applications, this change ensures that negative current does not occur at light loads for a broader range of applications.

DEMO MANUAL DC2123B

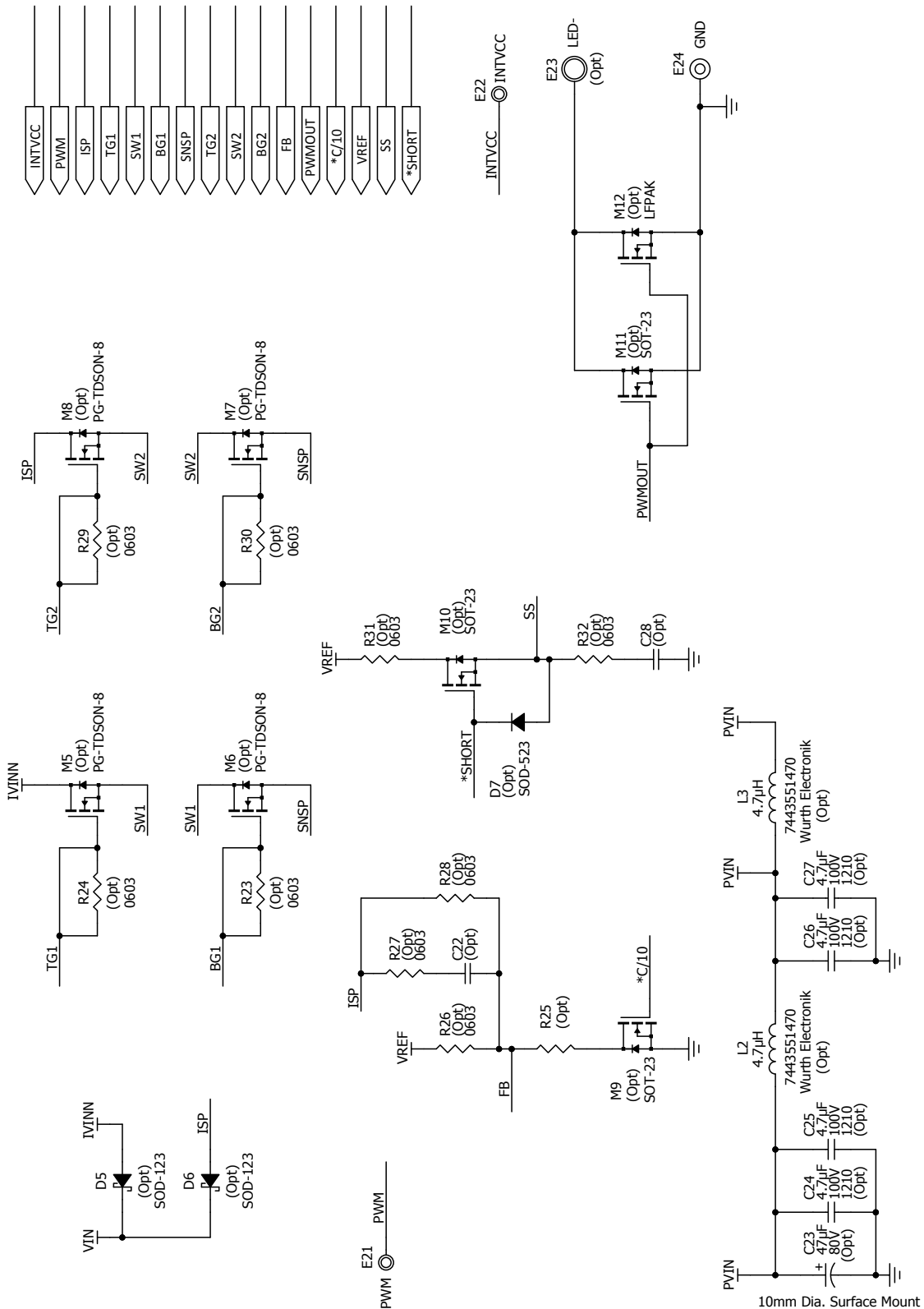
PARTS LIST

ITEM	QTY	REFERENCE	PART DESCRIPTION	MANUFACTURER/PART NUMBER
Required Circuit Components				
1	2	CC1, CSS1	CAP., X7R 33nF 25V 10% 0603	AVX 06033C333KAT1A
2	1	C1	CAP., X5R 0.47 μ F 16V 20% 0402	TDK C1005X5R1C474MT
3	3	C2, C12, C13	CAP., X5R 0.1 μ F 16V 10% 0402	TDK C1005X5R1C104KT
4	1	C3	CAP., X5R 1 μ F 100V 10% 1206	TAIYO YUDEN HMK316BJ105KL-T
5	1	C4	CAP., X5R 4.7 μ F 10V 10% 0603	TAIYO YUDEN LMK107BJ475KA
6	2	C6, C7	CAP., X7S 4.7 μ F 100V 10% 1210	TDK C3225X7S2A475K200AB
7	2	C10, C11	CAP., ALUM. ELECT. 47 μ F 80V \pm 20%	UNITED CHEMI-CON EMZA800ADA470MJA0G
8	2	C14, C15	CAP., X5R 4.7 μ F 50V 20% 1210	TAIYO YUDEN UMK325BJ475MM-T
9	2	C20, C30	CAP., HYBRID COND. POLYMER 220 μ F 35V 20%	SUN ELECTRONIC INDUSTRIES 35HVP220M
10	1	C29	CAP., X7R 0.033 μ F 16V 10% 0402	TDK C1005X7R1C333K
11	2	D1, D2	SCHOTTKY BARRIER 100V SOD323(SC-90)	NXP SEMI. BAT46WJ
12	1	L1	INDUCTOR, 10 μ H SER2900	COILCRAFT, SER2918H-103KL
13	2	M1, M2	MOSFET-N CHANNEL, 60V, TDSON-8	INFINEON, BSC100N06LS3 G
14	2	M3, M4	MOSFET-N CHANNEL, 40V, TDSON-8	INFINEON, BSC032N04LS
15	1	RC1	RES., CHIP 7.5k 0.06W 5% 0402	VISHAY CRCW04027K50JNED
16	1	RIN1	RES., 0.0015 Ω 1W 1% 2512	PANASONIC, ERJ-M1WTF1M5U
17	1	RS1	RES., 0.002 Ω 1W 1% 2512	PANASONIC, ERJ-M1WTF2M0U
18	1	RS2	RES., 0.008 Ω 1W 1% 2512	PANASONIC, ERJ-M1WSF8M0U
19	2	R1, R4	RES., CHIP 499k 0.06W 1% 0603	VISHAY CRCW0603499KFKEA
20	1	R3	RES., CHIP 88.7k 0.06W 1% 0402	VISHAY CRCW040288K7FKED
21	1	R5	RES., CHIP 51 Ω 0.06W 5% 0402	NIC, NRC04F51R0TRF
22	2	R6, R10	RES., CHIP 200k 0.06W 5% 0603	VISHAY CRCW0603200KJNEA
23	1	R11	RES., CHIP 27.4k 0.06W 1% 0402	VISHAY CRCW040227K4FKED
24	1	R16	RES., CHIP 200k 0.06W 5% 0402	VISHAY CRCW0402200KJNED
25	1	R17	RES., CHIP 100k 0.06W 5% 0402	VISHAY CRCW0402100KJNED
26	1	R18	RES., CHIP 147k 0.06W 1% 0402	VISHAY CRCW0402147KFKEA
27	1	R19	RES., CHIP 71.5k 0.06W 1% 0603	VISHAY CRCW060371K5FKEA
28	1	R20	RES., CHIP 3.83k 0.06W 1% 0402	VISHAY CRCW04023K83FKED
29	1	U1	I.C., 60V BUCK-BOOST VOLT. REG.	LINEAR TECH. CORP. LT3790EFE#PBF

PARTS LIST

ITEM	QTY	REFERENCE	PART DESCRIPTION	MANUFACTURER/PART NUMBER
Additional Demo Board Circuit Components				
1	0	C5, C8, C9, C16, C17, C18 (Opt)	CAP., 1210	
2	0	C19 (Opt)	OPTIONAL	
3	0	C21, C22, C28, CC2	CAP., 0603	
4	0	C23	OPTIONAL	
5	0	C24, C25, C26, C27 (Opt)	OPTIONAL	
6	0	D3, D4 (Opt)	SCHOTTKY DIODE, SMB	
7	0	D5, D6 (Opt)	DIODE, SOD-123	
8	0	D7 (Opt)	DIODE, SOD-523	
9	0	L2, L3 (Opt)	OPTIONAL	
10	0	M5, M6, M7, M8, M12 (Opt)	OPTIONAL	
11	0	M9, M10, M11 (Opt)	OPTIONAL	
12	0	R2, R23, R24, R26-R32	RES., 0603 OPTIONAL	
13	1	R7	RES., CHIP 0 Ω 1206	YAGEO, RC1206FR-070RL
14	0	R8, R9, R25	Res., 0402 OPTIONAL	
15	3	R12, R14, R22	RES., CHIP 0 Ω 0402	VISHAY CRCW04020000Z0ED
16	2	R13, R21	RES., CHIP 0 Ω 0603	VISHAY CRCW06030000Z0EA
17	1	R34	RES., CHIP 1.37k 0.06W 1% 0603	PANASONIC ERJ-3EKF1371V
Hardware: For Demo Board Only				
1	4	E1, E2, E19, E20	CONNECTOR, BANANA JACK	KEYSTONE 575-4
2	13	E3, E5, E6, E7, E8, E9, E10, E11, E12, E13, E14, E21, E22	TURRET, TESTPOINT	MILL MAX 2308-2-00-80-00-00-07-0
3	5	E4, E15, E16, E17, E24	TURRET, TESTPOINT	MILL MAX 2501-2-00-80-00-00-07-0
4	0	E18 (Opt)	OPTIONAL	
5	0	E23 (Opt)	OPTIONAL	
6	4	MH1-MH4	STANDOFF, NYLON 0.50"	KEYSTONE, 8833 (SNAP-ON)

SCHEMATIC DIAGRAM



10mm Dia. Surface Mount

DEMO MANUAL DC2123B

DEMONSTRATION BOARD IMPORTANT NOTICE

Linear Technology Corporation (LTC) provides the enclosed product(s) under the following **AS IS** conditions:

This demonstration board (DEMO BOARD) kit being sold or provided by Linear Technology is intended for use for **ENGINEERING DEVELOPMENT OR EVALUATION PURPOSES ONLY** and is not provided by LTC for commercial use. As such, the DEMO BOARD herein may not be complete in terms of required design-, marketing-, and/or manufacturing-related protective considerations, including but not limited to product safety measures typically found in finished commercial goods. As a prototype, this product does not fall within the scope of the European Union directive on electromagnetic compatibility and therefore may or may not meet the technical requirements of the directive, or other regulations.

If this evaluation kit does not meet the specifications recited in the DEMO BOARD manual the kit may be returned within 30 days from the date of delivery for a full refund. **THE FOREGOING WARRANTY IS THE EXCLUSIVE WARRANTY MADE BY THE SELLER TO BUYER AND IS IN LIEU OF ALL OTHER WARRANTIES, EXPRESSED, IMPLIED, OR STATUTORY, INCLUDING ANY WARRANTY OF MERCHANTABILITY OR FITNESS FOR ANY PARTICULAR PURPOSE. EXCEPT TO THE EXTENT OF THIS INDEMNITY, NEITHER PARTY SHALL BE LIABLE TO THE OTHER FOR ANY INDIRECT, SPECIAL, INCIDENTAL, OR CONSEQUENTIAL DAMAGES.**

The user assumes all responsibility and liability for proper and safe handling of the goods. Further, the user releases LTC from all claims arising from the handling or use of the goods. Due to the open construction of the product, it is the user's responsibility to take any and all appropriate precautions with regard to electrostatic discharge. Also be aware that the products herein may not be regulatory compliant or agency certified (FCC, UL, CE, etc.).

No License is granted under any patent right or other intellectual property whatsoever. **LTC assumes no liability for applications assistance, customer product design, software performance, or infringement of patents or any other intellectual property rights of any kind.**

LTC currently services a variety of customers for products around the world, and therefore this transaction **is not exclusive**.

Please read the DEMO BOARD manual prior to handling the product. Persons handling this product must have electronics training and observe good laboratory practice standards. **Common sense is encouraged.**

This notice contains important safety information about temperatures and voltages. For further safety concerns, please contact a LTC application engineer.

Mailing Address:

Linear Technology
1630 McCarthy Blvd.
Milpitas, CA 95035

Copyright © 2004, Linear Technology Corporation