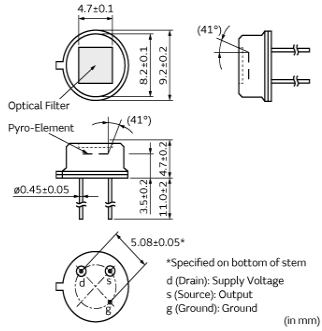
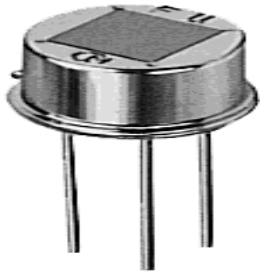


IRA-E910ST1



Appearance & Shape



Features

Lead type

Applications

Limited Usage	Recommendet IRA-S510ST01
Other Usage	Not available for Automotive usage.

Packaging Information

Packaging	Specifications	Standard Packing Quantity
-	Box	100

Attention

- 1.This datasheet is downloaded from the website of Murata Manufacturing Co., Ltd. Therefore, it's specifications are subject to change or our products in it may be discontinued without advance notice. Please check with our sales representatives or product engineers before ordering.
- 2.This datasheet has only typical specifications because there is no space for detailed specifications.
Therefore, please review our product specifications or consult the approval sheet for product specifications before ordering.

IRA-E910ST1

Specifications

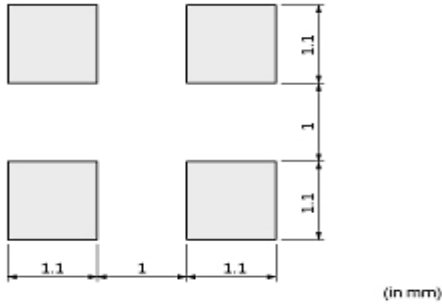
Operating Temperature Range	-25°C to 55°C
Shape	Lead
Field of View	theta1=theta2=41deg.
Electrode	(1.1x1.1mm)x4
Responsivity(typ.)	3.3mV
Optical Filter	5micro meter Long Pass
Supply Voltage Range	3V to 15V
Storage Temperature Range	-40°C to 85°C

Attention

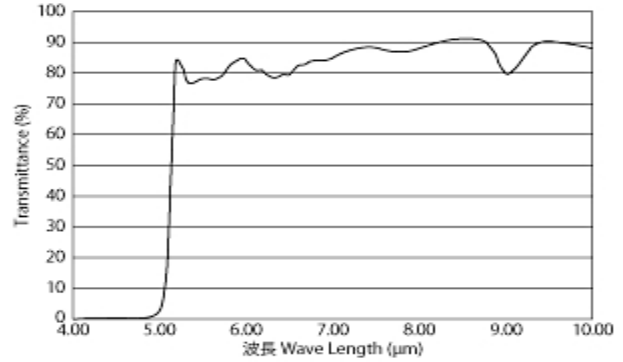
- 1.This datasheet is downloaded from the website of Murata Manufacturing Co., Ltd. Therefore, it's specifications are subject to change or our products in it may be discontinued without advance notice. Please check with our sales representatives or product engineers before ordering.
- 2.This datasheet has only typical specifications because there is no space for detailed specifications.
Therefore, please review our product specifications or consult the approval sheet for product specifications before ordering.

IRA-E910ST1

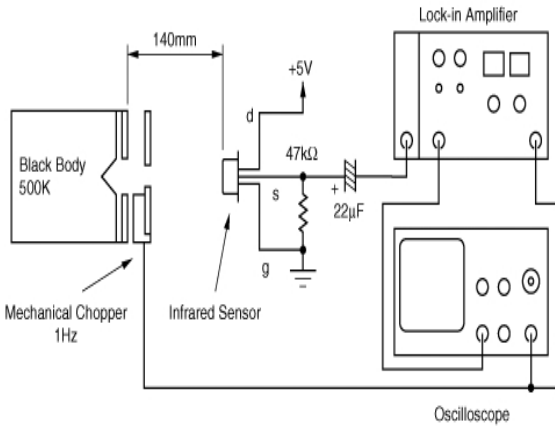
Product Data



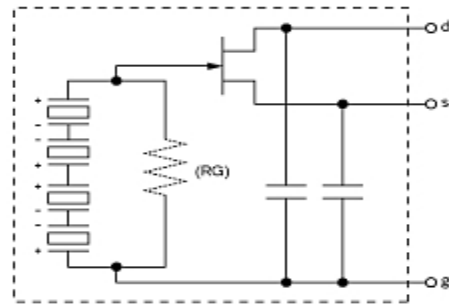
Pyroelectric Element



Filter characteristics



Test circuit



Circuit diagrams

Attention

- 1.This datasheet is downloaded from the website of Murata Manufacturing Co., Ltd. Therefore, it's specifications are subject to change or our products in it may be discontinued without advance notice. Please check with our sales representatives or product engineers before ordering.
- 2.This datasheet has only typical specifications because there is no space for detailed specifications.
Therefore, please review our product specifications or consult the approval sheet for product specifications before ordering.