

## LTC4425EDD: Linear Supercap Charger With Current-Limited Ideal Diode And V/I Monitor

### DESCRIPTION

Demonstration Circuit DC1589A is a Linear Supercap Charger with Current-Limited Ideal Diode and V/I Monitor, featuring the LTC<sup>®</sup>4425.

### PERFORMANCE SUMMARY

Specifications are at  $T_A = 25^\circ\text{C}$

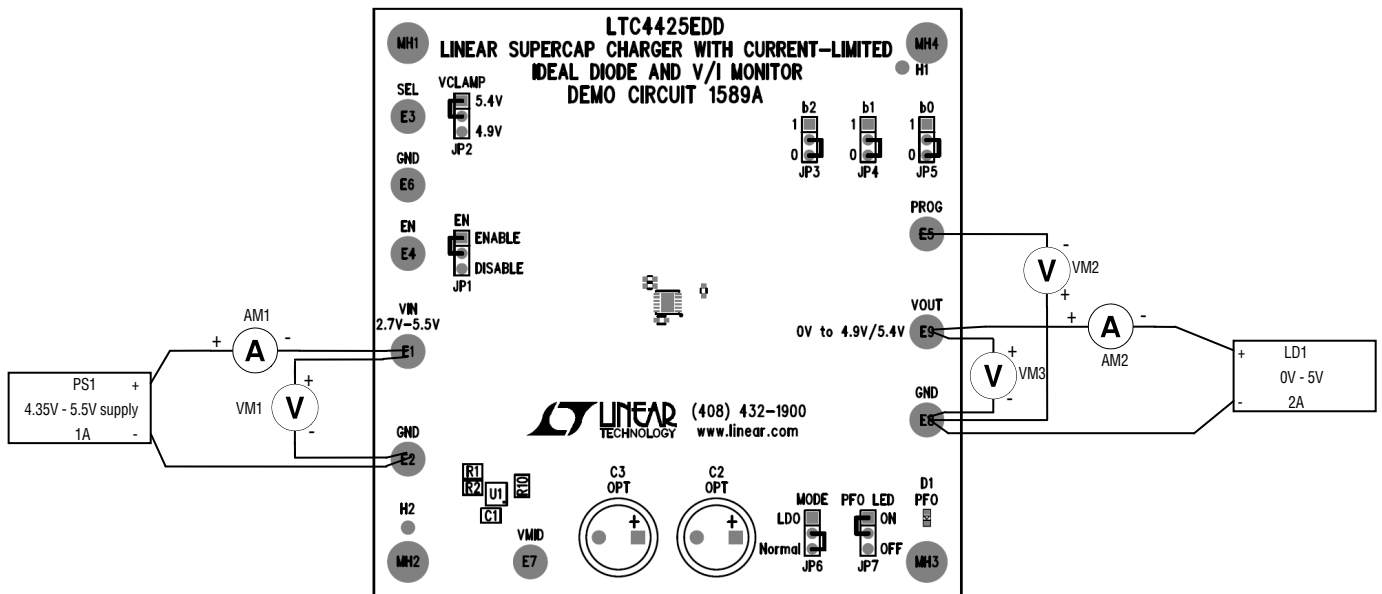
SYMBOL	PARAMETER	CONDITIONS	MIN	TYP	MAX	UNITS
V <sub>in</sub>	Input Voltage Range		2.7		5.5	V
I <sub>charge</sub>	Supercap Charge current				2	A
V <sub>OUT</sub>	Supercap Stack Output Voltage		1.2		5.4	V
V(MID)	Supercap Midpoint Voltage		0.6		2.7	V

### QUICK START PROCEDURE

Refer to Figure 1 for the proper measurement equipment setup and jumper settings and follow the procedure below.

**NOTE.** When measuring the input or output voltage ripple, care must be taken to avoid a long ground lead on the oscilloscope probe. Measure the input or output voltage ripple by touching the probe tip directly across the V<sub>BUS</sub> or V<sub>OUT</sub>(x) and GND terminals. See Figure 2 for proper scope probe technique.

1. Set b[2-0] jumpers (JP3, JP4, JP5) to "1". Set MODE (JP6) to "LDO". Set LD1 to 0A, and PS1 to 5V. Observe V<sub>OUT</sub> (VM3) = 3.3V, I(VIN) (AM1) = 2A, and V(PROG) (VM2) = 1V. Note: The supercapacitor COUT1 will charge in approximately 0.5 seconds, so please observe these signals within a few seconds of setting PS1 to 5V.
2. Set PS1 to 0V. Observe D1 (PFO) should be lit due to input 'power failure'
3. Set LD1 to 1A. Observe V<sub>OUT</sub>. V<sub>OUT</sub> should decrease to 0V, in about 1 second.



Note: All connections from equipment should be Kelvin connected directly to the board pins which they are connected on this diagram and any input or output leads should be twisted pair.

Figure 1. Proper Measurement Equipment Setup for DC1550A

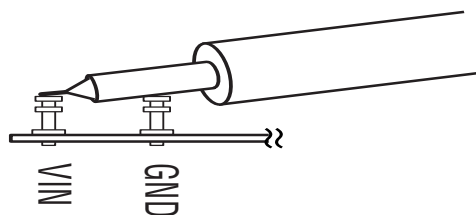


Figure 2. Measuring Input or Output Ripple

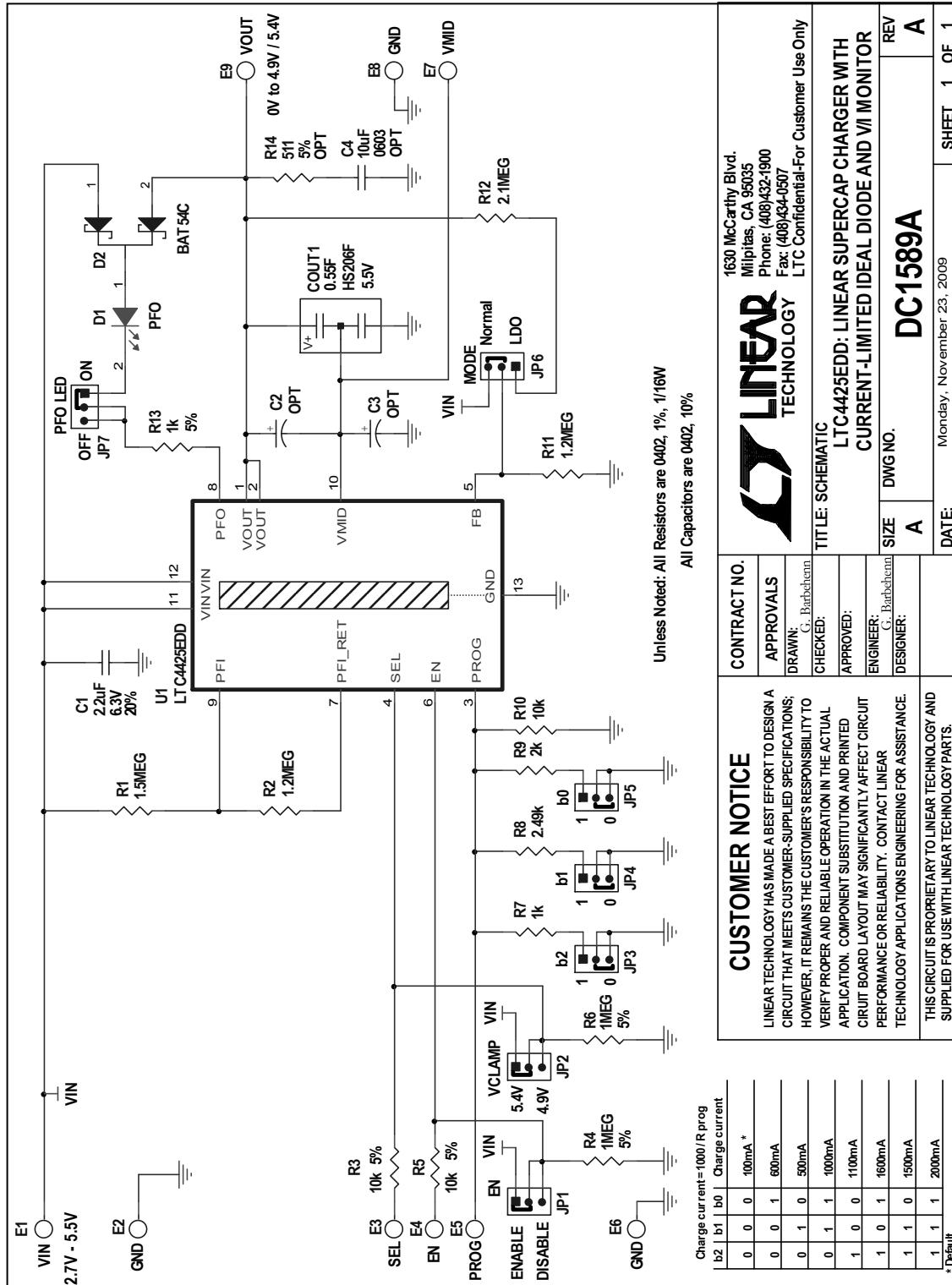


Figure 3. Circuit Schematic

1630 McCarthy Blvd.  
Milpitas, CA 95035  
Phone: (408)432-1900  
Fax: (408)434-0507  
LTC Confidential-For Customer Use Only

**LINEAR TECHNOLOGY**

TITLE: SCHEMATIC  
LTC4425EDD: LINEAR SUPERCAP CHARGER WITH CURRENT-LIMITED IDEAL DIODE AND VI MONITOR

ENGINEER: G. Barbehenn  
DESIGNER: G. Barbehenn

REV **A**

DWG NO. **DC1589A**

DATE: Monday, November 23, 2009

SHEET 1 OF 1

CONTRACT NO.	
APPROVALS	
DRAWN: G. Barbehenn	
CHECKED:	
APPROVED:	
ENGINEER: G. Barbehenn	
DESIGNER: G. Barbehenn	

	Qty	Reference	Part Description	Manufacture / Part #
<b>REQUIRED CIRCUIT COMPONENTS:</b>				
1	1	C1	CAP, CHIP, X5R, 2.2 $\mu$ F, $\pm$ 2%, 6.3V, 0402	MURATA, GRM155R60J225ME15D
2	1	COUT1	SUPERCAP, 0.55F, 80m $\Omega$ , 5.5V, 39mmX17mmX2.4mm	CAP-X, HS206F
3	1	R1	RES, CHIP, 1.5MEG $\Omega$ , $\pm$ 1%, 1/16W, 0402	VISHAY, CRCW04021M50FKED
4	2	R2, R11	RES, CHIP, 1.2MEG $\Omega$ , $\pm$ 1%, 1/16W, 0402	VISHAY, CRCW04021M20FKED
5	2	R3, R5	RES, CHIP, 10k $\Omega$ , $\pm$ 5%, 1/16W, 0402	VISHAY, CRCW040210K0JNED
6	2	R4, R6	RES, CHIP, 1MEG $\Omega$ , $\pm$ 5%, 1/16W, 0402	VISHAY, CRCW04021M00JNED
7	1	R7	RES, CHIP, 1k $\Omega$ , $\pm$ 1%, 1/16W, 0402	VISHAY, CRCW04021K00FKED
8	1	R8	RES, CHIP, 2.49k $\Omega$ , $\pm$ 1%, 1/16W, 0402	VISHAY, CRCW04022K49FKED
9	1	R9	RES, CHIP, 2k $\Omega$ , $\pm$ 1%, 1/16W, 0402	VISHAY, CRCW04021K00JNED
10	1	R9	RES, CHIP, 2k $\Omega$ , $\pm$ 1%, 1/16W, 0402	VISHAY, CRCW04022K00FKED
11	1	R10	RES, CHIP, 10k $\Omega$ , $\pm$ 1%, 1/16W, 0402	VISHAY, CRCW040210K0FKED
12	1	R12	RES, CHIP, 2.1MEG $\Omega$ , $\pm$ 1%, 1/16W, 0402	VISHAY, CRCW04022M10FKED
13	1	R13	RES, CHIP, 1k $\Omega$ , $\pm$ 5%, 1/16W, 0402	VISHAY, CRCW04021K00JNED
14	1	U1	IC, SMT, Linear Supercap Charger with Current-limited Ideal Diode and V/I Monitor	LINEAR TECH., LTC4425EDD
<b>ADDITIONAL DEMO BOARD CIRCUIT COMPONENTS:</b>				
1	0	C2-OPT, C3-OPT	SUPERCAP 2.5V or 2.7V	User supplied
2	0	C4-OPT	CAP, CHIP, X5R, 10 $\mu$ F, $\pm$ 10%, 6.3V, 0603	TDK, C1608X5R0J106K
3	1	D1	DIODE, LED, RED, 0603	PANASONIC, LNJ208R8ARA
4	1	D2	DIODE, Dual SCHOTTKY, 30V, 200mA, SOT-23	DIODE INC, BAT54C
5	0	R14-OPT	RES, CHIP, 511 $\Omega$ , $\pm$ 5%, 1/16W, 0402	VISHAY, CRCW0402511RJNED
<b>HARDWARE FOR DEMO BOARD ONLY:</b>				
1	9	E1, E9	TURRET, 0.09 DIA	MILL-MAX, 2501-2-00-80-00-00-07-0
2	7	JP1-7	3 Pin Jumper, 2mm	SAMTEC, TMM-103-02-L-S
3	7	JP1-7	SHUNT, 2mm	SAMTEC, 2SN-KB-G
4	4		STAND-OFF, NYLON, 0.375"	KEYSTONE, 8832

Figure 4. Bill of Materials