

FSRB100100RTB00#

“#” indicates a package specification code.

Discontinued

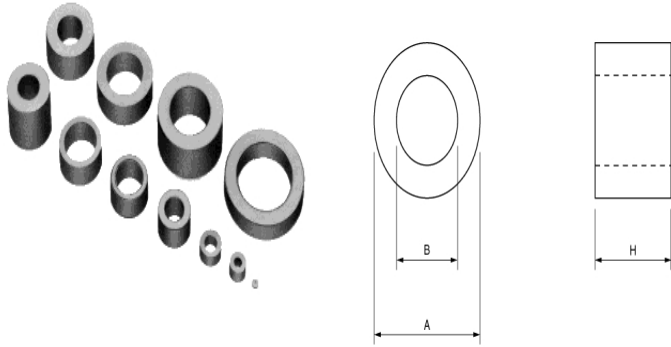
RoHS

REACH

< List of part numbers with package codes >

FSRB100100RTB00B

Appearance & Shape



Features

Features

1. Ease of use and excellent noise suppression-data lines can be passed through the core or wound around several times.
2. Effective for suppressing noise at high frequencies.

Applications

1. For Data-processing equipment (PC, PDA, Game machine, etc.), and peripheral equipments (Printer, HDD, Display, etc.)
2. For digital equipments (DSC, DVC, DVD recorder, Mobile phone, Digital audio, Optical drive, PDP/LCD/FED, facsimile, etc.)

Applications

Other Usage	For general
-------------	-------------

Packaging Information

Packaging	Specifications	Standard Packing Quantity
B	Bulk(Bag)	500

Attention

1.This datasheet is downloaded from the website of Murata Manufacturing Co., Ltd. Therefore, it's specifications are subject to change or our products in it may be discontinued without advance notice. Please check with our sales representatives or product engineers before ordering.

2.This datasheet has only typical specifications because there is no space for detailed specifications.

Therefore, please review our product specifications or consult the approval sheet for product specifications before ordering.

FSRB100100RTB00#

“#” indicates a package specification code.

Specifications

Material	RT
Mass	2.5g
Impedance at 10MHz(typ.)	294Ω (3Turn)
Impedance at 100MHz(typ.)	475Ω (3Turn)
Core Type	Ring core
A : Outer Dimension	10.0mm
A : Outer Dimension Tolerance	±0.3mm
B : Inner Dimension	6.0mm
B : Inner Dimension Tolerance	±0.2mm
H : Length Dimension	10.0mm
H Length Dimension Tolerance	±0.5mm
USB/IEEE1394	Yes

Attention

1.This datasheet is downloaded from the website of Murata Manufacturing Co., Ltd. Therefore, it's specifications are subject to change or our products in it may be discontinued without advance notice. Please check with our sales representatives or product engineers before ordering.

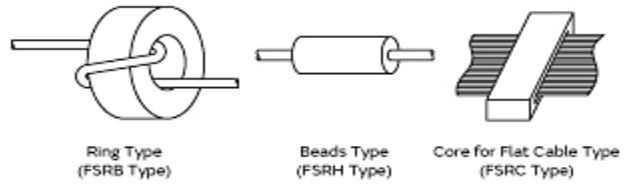
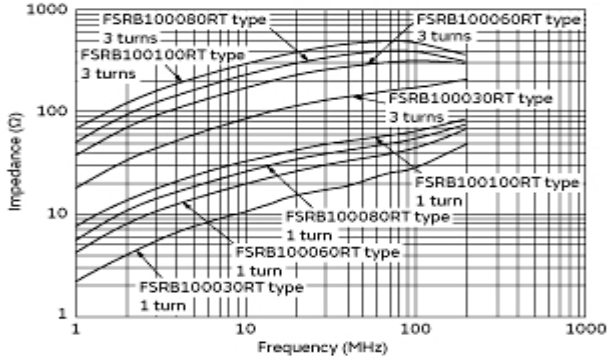
2.This datasheet has only typical specifications because there is no space for detailed specifications.

Therefore, please review our product specifications or consult the approval sheet for product specifications before ordering.

FSRB100100RTB00#

“#” indicates a package specification code.

Product Data



Impedance-Frequency Characteristics

Cases to use

Attention

- 1.This datasheet is downloaded from the website of Murata Manufacturing Co., Ltd. Therefore, it's specifications are subject to change or our products in it may be discontinued without advance notice. Please check with our sales representatives or product engineers before ordering.
- 2.This datasheet has only typical specifications because there is no space for detailed specifications. Therefore, please review our product specifications or consult the approval sheet for product specifications before ordering.