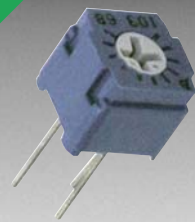


*ROHS COMPLIANT



BOURNS®

Features

- PC board and bushing mount
- Plastic bushing and plastic shaft
- Withstands typical industry washing processes
- Cermet resistance element
- RoHS compliant*

3366 - 1/4 " Square Trimming Potentiometer

Electrical Characteristics

Standard Resistance Range
10 ohms to 2 megohms
 (see standard resistance table)
 Resistance Tolerance±10 % std.
 Absolute Minimum Resistance
1 % or 2 ohms max.
 (whichever is greater)
 Contact Resistance Variation
2 % or 3 ohms max.
 (whichever is greater)
 Resolution.....Essentially infinite
 Insulation Resistance500 vdc.
 1,000 megohms min.
 Dielectric Strength
 Sea Level.....900 vac (1 minute)
 Adjustment Angle220 ° nom.

Environmental Characteristics

Power Rating (200 volts max.)
 70 °C.....0.5 watt
 125 °C.....0 watt
 Temperature Range
-55 °C to +125 °C
 Temperature Coefficient
 10 ohms to 20 ohms±150 ppm/°C
 50 ohms to 2 megohms...±100 ppm/°C
 Humidity.....10 cycles, 240 hours
 TRS ±2 %
 Vibration30 G TRS ±1 %; VRS ±1 %
 Shock.....100 G TRS ±1 %; VRS ±1 %
 Load Life1,000 hours @ 70 °C
 rated power
 Rotational Cycling.....100 cycles

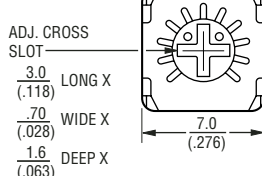
Physical Characteristics

Mechanical Angle260 ° nom.
 Torque3.0 oz-in. max.
 Stop Strength.....7.0 oz -in. min.
 WeightApproximately 0.02 oz.
 MarkingResistance, type and
 date code
 Wiper.....Set at 50 % nominal
 FlammabilityU.L.-94HB
 Standard Packaging50 pcs./tube
 Adjustment ToolH-90

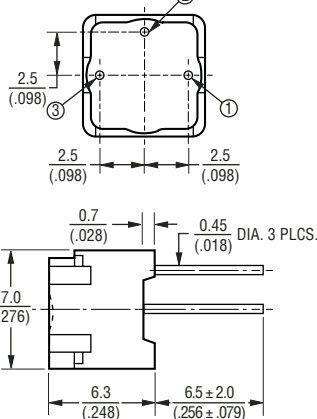
Product Dimensions

Common Dimensions

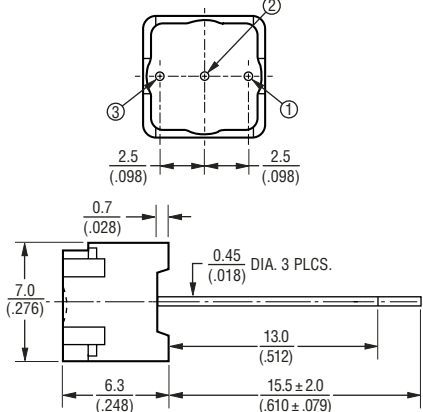
Top Adjust



3366P

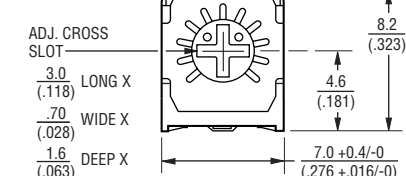


3366U

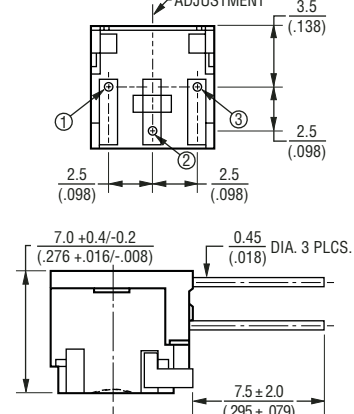


Common Dimensions

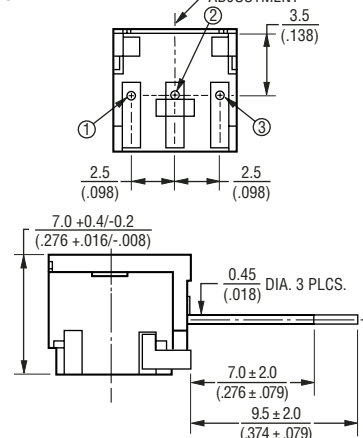
Side Adjust



3366S

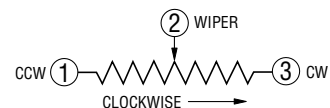


3366M



TOLERANCES: ± 0.3 (.012) EXCEPT WHERE NOTED

DIMENSIONS ARE: $\frac{\text{MM}}{\text{(INCHES)}}$



*RoHS Directive 2002/95/EC Jan 27 2003 including Annex.
 Specifications are subject to change without notice.
 Customers should verify actual device performance in their specific applications.

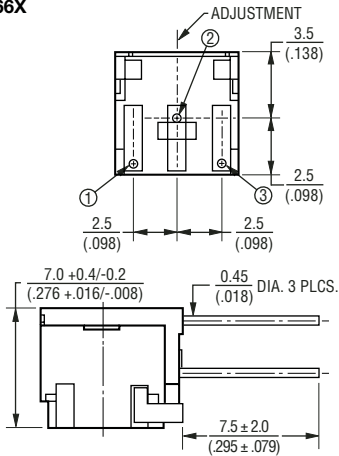
3366 - 1/4 " Square Trimming Potentiometer

BOURNS®

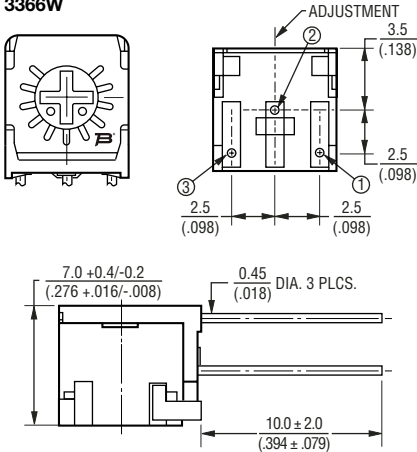
Product Dimensions

Top Adjust (Continued)

3366X



3366W



TOLERANCES: ± 0.3 (.012) EXCEPT WHERE NOTED

DIMENSIONS ARE: $\frac{\text{MM}}{\text{(INCHES)}}$

Standard Resistance Table

| Resistance (Ohms) | Resistance Code |
|-------------------|-----------------|
| 10 | 100 |
| 20 | 200 |
| 50 | 500 |
| 100 | 101 |
| 200 | 201 |
| 500 | 501 |
| 1,000 | 102 |
| 2,000 | 202 |
| 5,000 | 502 |
| 10,000 | 103 |
| 20,000 | 203 |
| 50,000 | 503 |
| 100,000 | 104 |
| 200,000 | 204 |
| 500,000 | 504 |
| 1,000,000 | 105 |
| 2,000,000 | 205 |

Popular resistance values listed in boldface.
Consult factory for special resistances.

How to Order

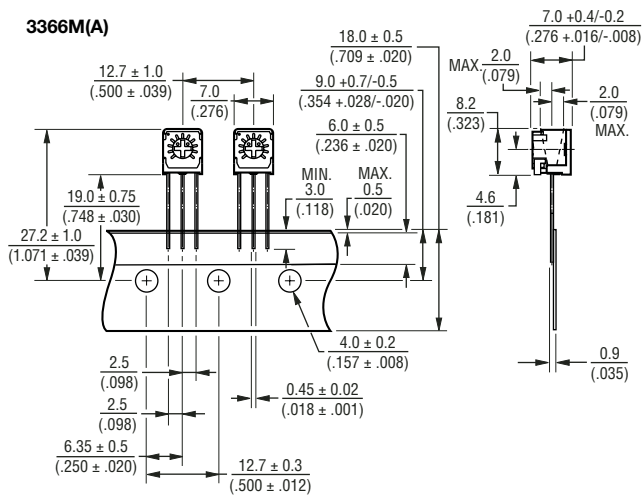
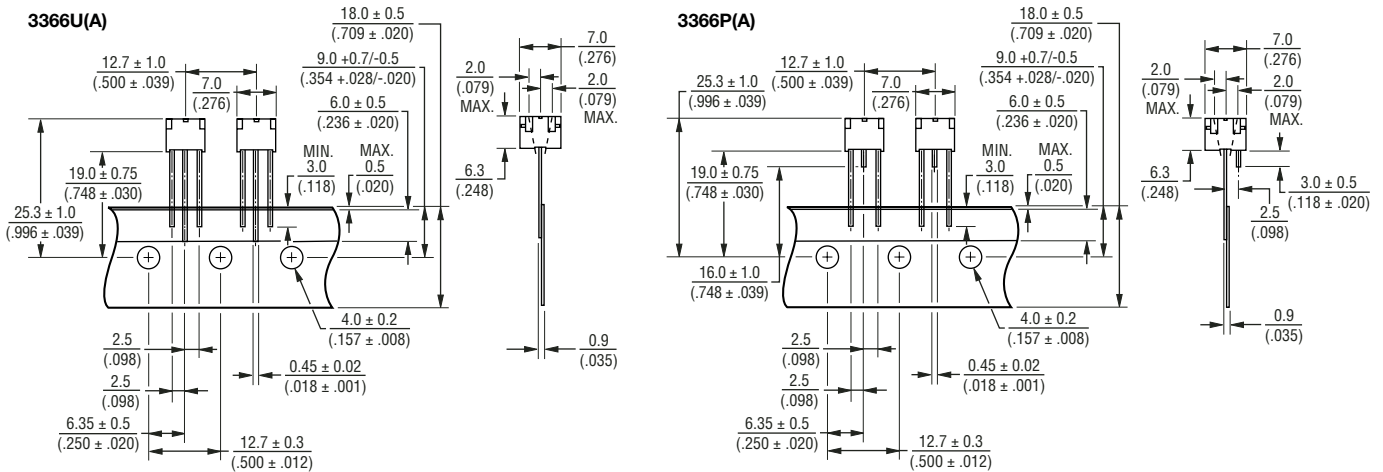
3366 P - 1 - 502 -

Model _____
 Style _____
 Standard or Modified _____
 Product Indicator _____
 -1 = Standard Product
 Resistance Code _____
 Packaging Designator _____
 Blank = Tube - 50 pcs./tube (Standard)
 A = Ammo Pack - 1000 pcs./box

3366 - 1/4 " Square Trimming Potentiometer

BOURNS®

Packaging Specifications



DIMENSIONS ARE: $\frac{\text{MM}}{\text{(INCHES)}}$

TOLERANCES: ± 0.3 (.012)
EXCEPT WHERE NOTED

Meets EIA Specification 468.



Reliable Electronic Solutions

Asia-Pacific:

Tel: +886-2 2562-4117 • Fax: +886-2 2562-4116

Europe:

Tel: +41-41 768 5555 • Fax: +41-41 768 5510

The Americas:

Tel: +1-951 781-5500 • Fax: +1-951 781-5700

www.bourns.com

REV. 08/06

Specifications are subject to change without notice.
Customers should verify actual device performance in their specific applications.