

# CKCL44X5R1H472M085AA

TDK Item Description : CKCL44X5R1H472MT\*\*\*\*\*

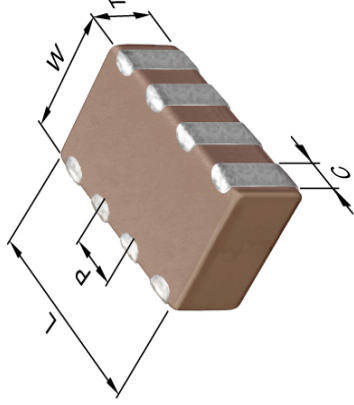


## Application & Main Feature

Commercial Grade ( 4 in 1 Array )

## Series

CKCL44(2012) [EIA CC0805]



## Dimensions

L	2.00mm	+/-0.15mm
W	1.25mm	+/-0.15mm
T	0.85mm	+/-0.15mm
C	0.25mm	Nom.
P	0.50mm	Nom.

## Temperature Characteristic

X5R (-55 to 85 degC +/-15%)

## Rated Voltage

1H (50Vdc)

## Capacitance

4.7nF

## Capacitance Tolerance

M (+/-20%)

## Dissipation Factor

3% Max.

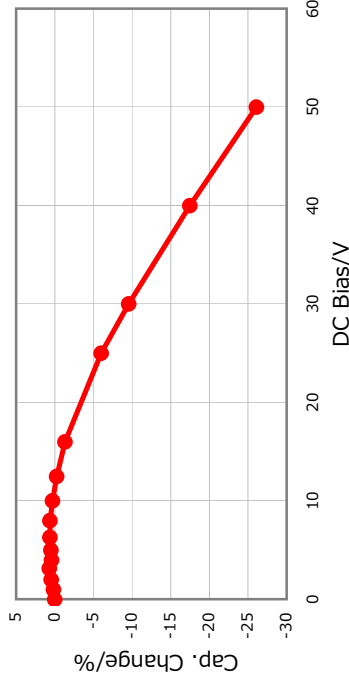
## Insulation Resistance

10Gohm Min.

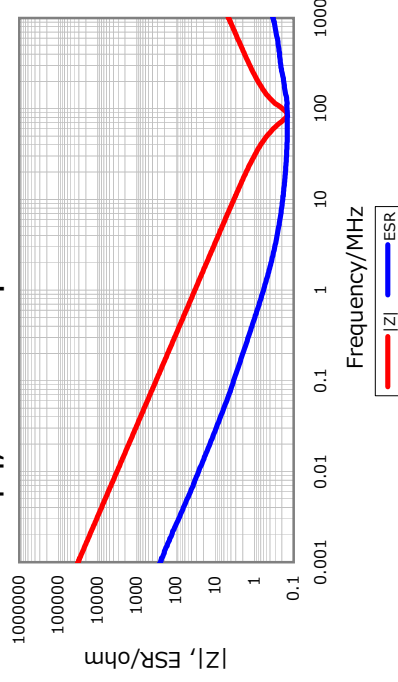
## AEC-Q200

Not Applicable

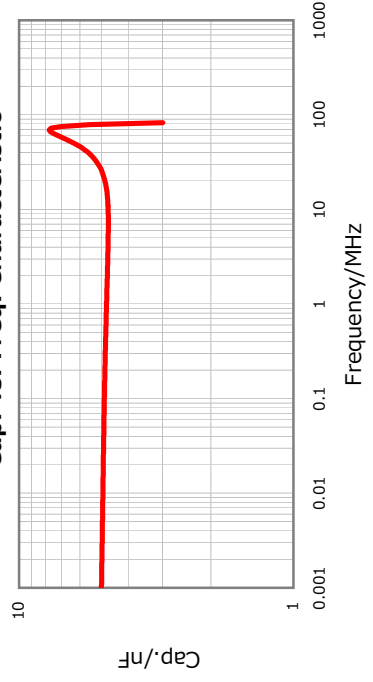
## DC Bias Characteristic



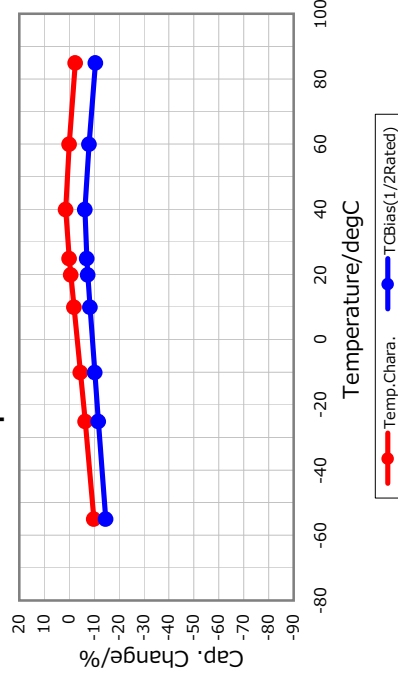
## |Z|, ESR vs. Freq. Characteristics



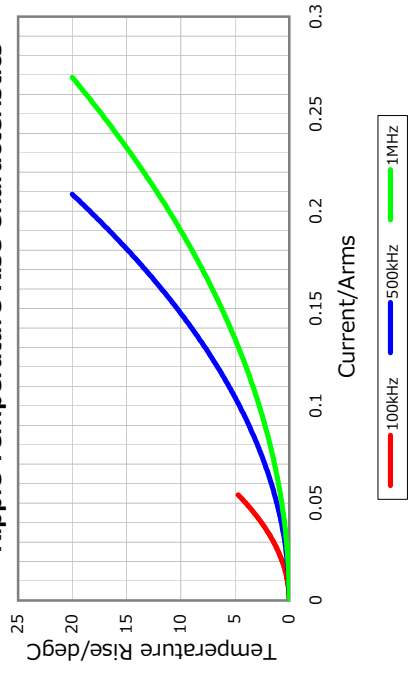
## Cap. vs. Freq. Characteristic



## Temperature Characteristics



## Ripple Temperature Rise Characteristics



All specifications are subject to change without notice.

January 4, 2016