

# LTC2657: 16-Bit Octal Rail-to-Rail DAC with I<sup>2</sup>C Interface

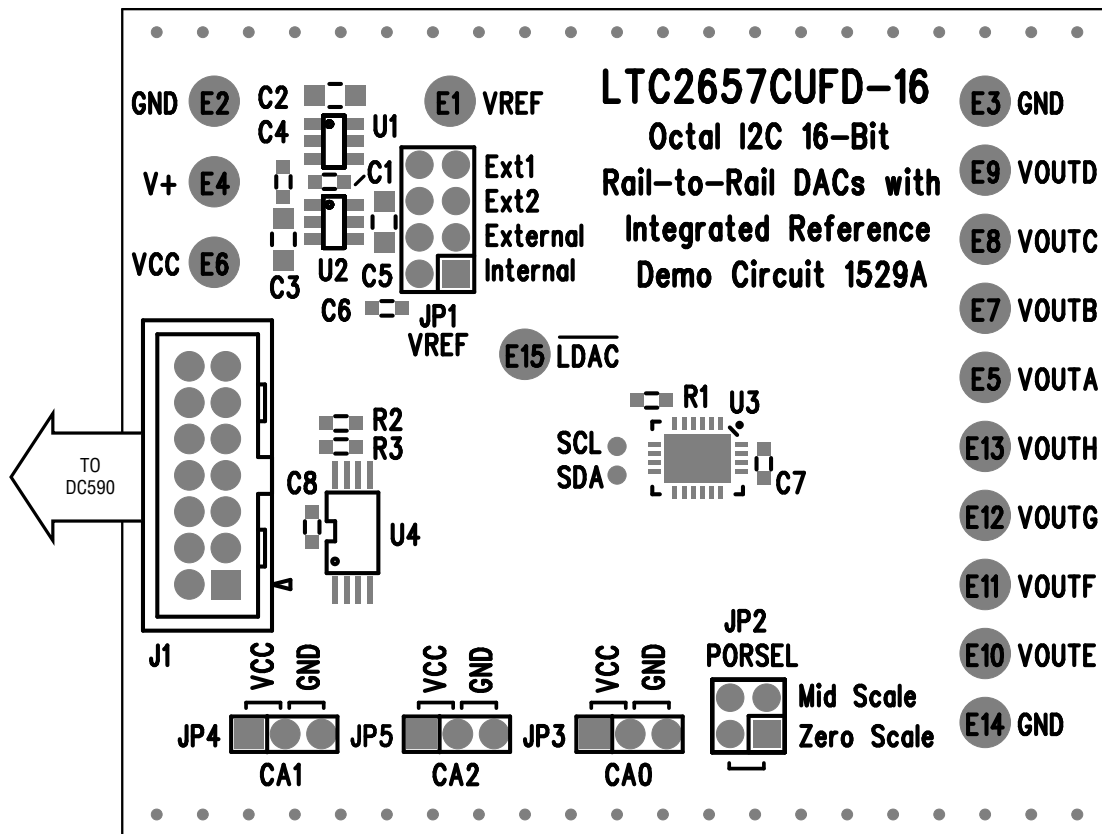
## DESCRIPTION

Demonstration circuit 1529A features the [LTC2657](#) Octal 16-bit DAC with  $\pm 4$ LSB INL error. This device establishes a new board-density benchmark for 16-bit DACs and advances performance standards for output drive, cross-talk and load regulation in single supply, voltage-output multiple DACs.

DC1529A has many features for evaluating the performance of the LTC2657.

Design files for this circuit board are available at <http://www.linear.com/demo/DC1529A>

LT, LT, LTC, LTM, Linear Technology and the Linear logo are registered trademarks of Linear Technology Corporation. All other trademarks are the property of their respective owners.

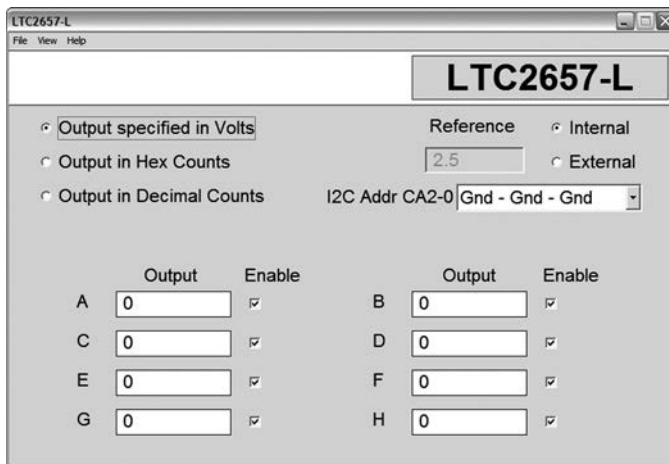


## QUICK START PROCEDURE

Connect DC1529A to a DC590 USB serial controller using the supplied 14 conductor ribbon cable. Connect DC590 to a host PC with a standard USB A/B cable. Run the evaluation software supplied with DC590 or download it from [www.linear.com/software](http://www.linear.com/software). The correct control panel will be loaded automatically.

If an external reference is used, click the “External” button in the control panel and enter the reference voltage in the text block.

Complete software documentation is available from the Help menu item, as features may be added periodically.



## HARDWARE SETUP

### Jumpers

**JP1:** VREF Select. Either an Internal or External reference can be selected. To drive through the VREF pin, set to External and connect a clean reference voltage to the VREF turret. Default is the internal reference.

**JP2:** Power-Up Mode. The LTC2657 can be set to either power-up in mid-scale or zero-scale. Default is zero-scale.

**JP3, JP4, JP5:** I<sup>2</sup>C Address Selection Jumpers. Set address here and double check that the address selected in software matches. By default all jumpers are tied to GND.

### Analog Connections

**DAC Outputs:** The eight DAC outputs from the LTC2657 are brought out to turrets labeled VOUTA through VOUTH. These may be connected to external instruments or other circuitry.

Note: DAC outputs are not in alphabetical order on the circuit board.

**VREF:** The VREF turret is connected directly to the reference

terminals of the LTC2657. When the onboard reference is being used, the reference voltage may be monitored at this point. An external reference may also be applied to this turret after setting JP1 to External.

### Grounding and Power Connections

**Power (V<sub>CC</sub>):** Normally DC1529A is powered by the DC590 controller. V<sub>CC</sub> can be supplied to this turret, however the power supply on DC590 must be disabled! Refer to DC590 Quick Start Guide for more details on this mode of operation.

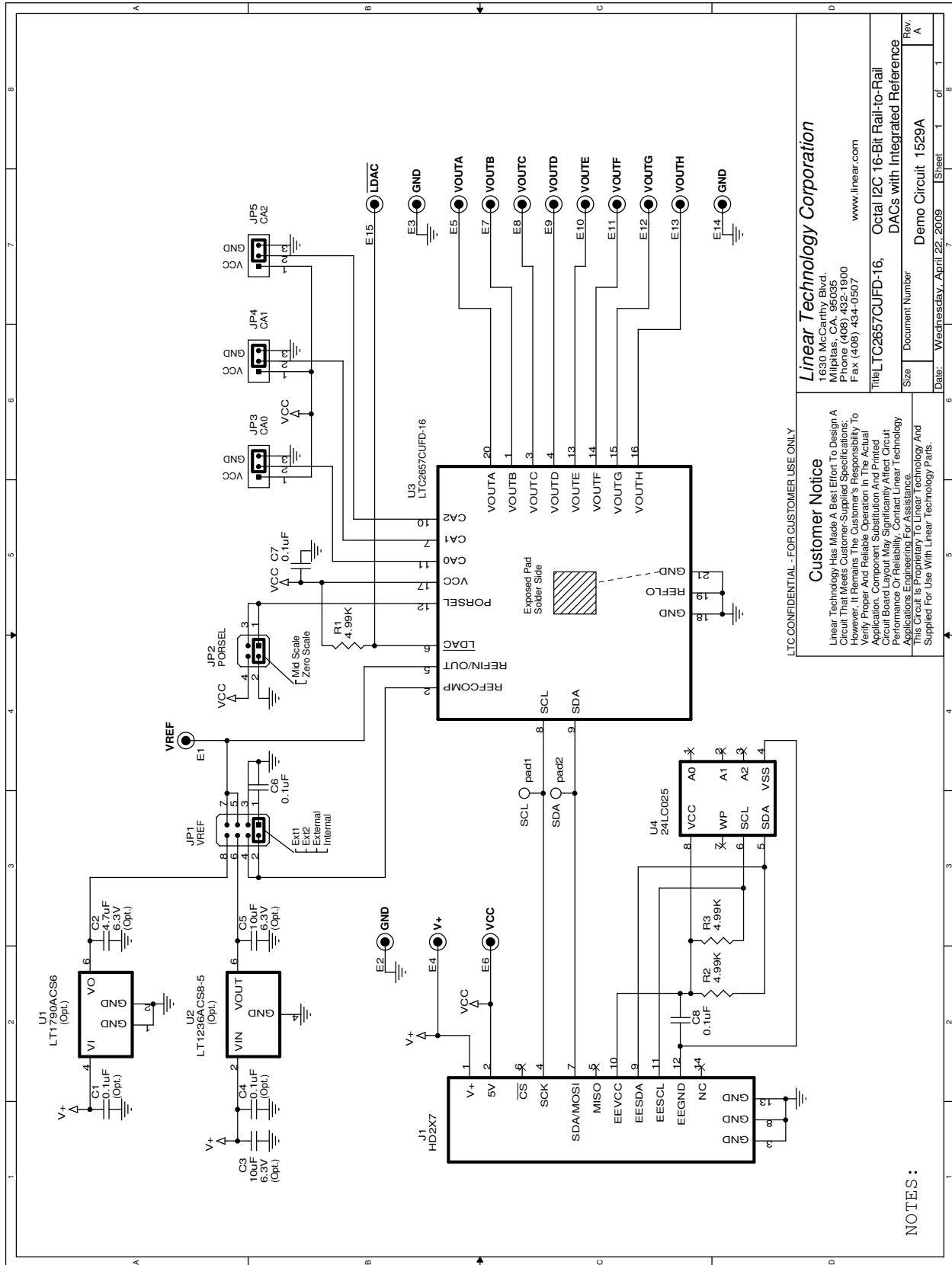
**Grounding:** There is one common ground plane on the board. All GND pins on the LTC2657 are tied to this ground plane through low impedance paths. Use the GND turrets as a reference point for measurements and connections to external circuits. Two bare ground strips are provided on the top and the bottom of the demo board.

# DEMO MANUAL DC1529A

## PARTS LIST

ITEM	QTY	REFERENCE	PART DESCRIPTION	MANUFACTURER/PART NUMBER
<b>Required Circuit Components</b>				
1	3	C6, C7, C8	CAP., CHIP X7R 0.1 $\mu$ F 16V 0603	AVX, 0603YC104MAT1A
2	0	C1, C4 (Opt.)	CAP., CHIP X7R 0.1 $\mu$ F 16V 0603	AVX, 0603YC104MAT1A
3	0	C2 (Opt.)	CAP., CHIP X5R 4.7 $\mu$ F 6.3V 0805	TAIYO YUDEN, JMK212BJ475MG
4	0	C3, C5 (Opt.)	CAP., CHIP X5R 10 $\mu$ F 6.3V 0805	TDK, C2012X5R0J106M
5	15	E1-E15	TURRET, TESTPOINT 0.064"	MILL-MAX, 2308-2
6	0	PAD1, PAD2	Opt.	
7	3	JP3-JP5	HEADER, 3-PIN 1 ROW 0.079CC	SAMTEC, TMM-103-02-L-S
8	1	JP2	HEADER, 2-PIN 2 ROW 0.079CC	SAMTEC, TMM-102-02-L-D
9	1	JP1	HEADER, 2-PIN 4 ROW 0.079CC	SAMTEC, TMM-104-02-L-D
10	5	FOR (JP1-JP5)	SHUNT, 0.079" CENTER	SAMTEC, 2SN-BK-G
11	1	J1	HEADER, VERTICAL DUAL 2X7 0.079CC	MOLEX, 87831-1420
12	3	R1-R3	RES., CHIP 4.99K 1% 0603	VISHAY, CRCW06034K99FKEA
13	0	U1 (Opt.)	I.C., MICROPOWER SOT-23 LOW DROPOUT	LINEAR TECH., LT1790ACS6
14	0	U2 (Opt.)	I.C., PRECISION REFERENCE	LINEAR TECH., LT1236ACS8-5
15	1	U4	I.C., SERIAL EEPROM, TSSOP-8	MICROCHIP, 24LC025-I/ST
<b>DC1529A-A Required Circuit Components</b>				
16	1	U3	I.C., LTC2657BCUFD-L16, UFD-20	LINEAR TECH., LTC2657BCUFD-L16#
<b>DC1529A-B Required Circuit Components</b>				
16	1	U3	I.C., LTC2657BCUFD-H16, UFD-20	LINEAR TECH., LTC2657BCUFD-H16#

**SCHEMATIC DIAGRAM**



LTC CONFIDENTIAL - FOR CUSTOMER USE ONLY

**Customer Notice**  
 Linear Technology has Made A Best Effort To Design A Circuit That Meets The Customer's Requirements. However, It Remains The Customer's Responsibility To Verify Proper And Reliable Operation In The Actual Application. Component Substitution And Printed Circuit Board Layout May Significantly Affect Circuit Performance Or Reliability. Contact Linear Technology Applications Engineering For Assistance.  
 This circuit is proprietary Linear Technology And Supplied For Use With Linear Technology Parts.

**Linear Technology Corporation**  
 1630 McCarthy Blvd.  
 Milpitas, CA 95035  
 Phone (408) 432-1900  
 Fax (408) 434-6507  
 www.linear.com

Title: LTC2657CUFD-16, Octal I2C 16-Bit Rail-to-Rail DACs with Integrated Reference	
Size	Document Number
Date: Wednesday, April 22, 2009	Sheet 1 of 1
Rev: A	Demo Circuit 1529A

NOTES:



Information furnished by Linear Technology Corporation is believed to be accurate and reliable. However, no responsibility is assumed for its use. Linear Technology Corporation makes no representation that the interconnection of its circuits as described herein will not infringe on existing patent rights.

# DEMO MANUAL DC1529A

---

## DEMONSTRATION BOARD IMPORTANT NOTICE

Linear Technology Corporation (LTC) provides the enclosed product(s) under the following **AS IS** conditions:

This demonstration board (DEMO BOARD) kit being sold or provided by Linear Technology is intended for use for **ENGINEERING DEVELOPMENT OR EVALUATION PURPOSES ONLY** and is not provided by LTC for commercial use. As such, the DEMO BOARD herein may not be complete in terms of required design-, marketing-, and/or manufacturing-related protective considerations, including but not limited to product safety measures typically found in finished commercial goods. As a prototype, this product does not fall within the scope of the European Union directive on electromagnetic compatibility and therefore may or may not meet the technical requirements of the directive, or other regulations.

If this evaluation kit does not meet the specifications recited in the DEMO BOARD manual the kit may be returned within 30 days from the date of delivery for a full refund. **THE FOREGOING WARRANTY IS THE EXCLUSIVE WARRANTY MADE BY THE SELLER TO BUYER AND IS IN LIEU OF ALL OTHER WARRANTIES, EXPRESSED, IMPLIED, OR STATUTORY, INCLUDING ANY WARRANTY OF MERCHANTABILITY OR FITNESS FOR ANY PARTICULAR PURPOSE. EXCEPT TO THE EXTENT OF THIS INDEMNITY, NEITHER PARTY SHALL BE LIABLE TO THE OTHER FOR ANY INDIRECT, SPECIAL, INCIDENTAL, OR CONSEQUENTIAL DAMAGES.**

The user assumes all responsibility and liability for proper and safe handling of the goods. Further, the user releases LTC from all claims arising from the handling or use of the goods. Due to the open construction of the product, it is the user's responsibility to take any and all appropriate precautions with regard to electrostatic discharge. Also be aware that the products herein may not be regulatory compliant or agency certified (FCC, UL, CE, etc.).

No License is granted under any patent right or other intellectual property whatsoever. **LTC assumes no liability for applications assistance, customer product design, software performance, or infringement of patents or any other intellectual property rights of any kind.**

LTC currently services a variety of customers for products around the world, and therefore this transaction **is not exclusive**.

**Please read the DEMO BOARD manual prior to handling the product.** Persons handling this product must have electronics training and observe good laboratory practice standards. **Common sense is encouraged.**

This notice contains important safety information about temperatures and voltages. For further safety concerns, please contact a LTC application engineer.

Mailing Address:

Linear Technology  
1630 McCarthy Blvd.  
Milpitas, CA 95035

Copyright © 2004, Linear Technology Corporation