

# CKCL22X5R1C105M085AB

TDK Item Description : CKCL22X5R1C105MT\*\*\*\*\*

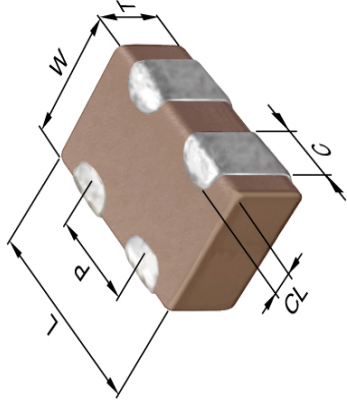
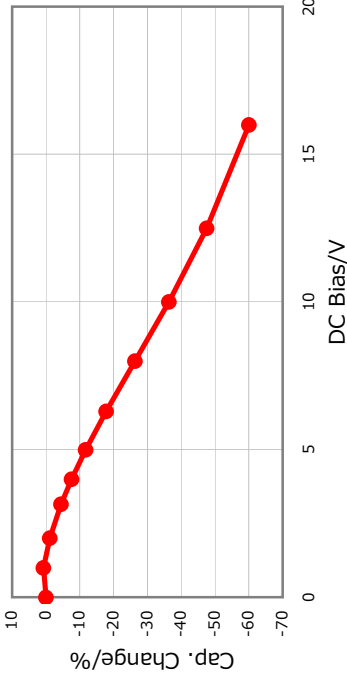


## Application & Main Feature

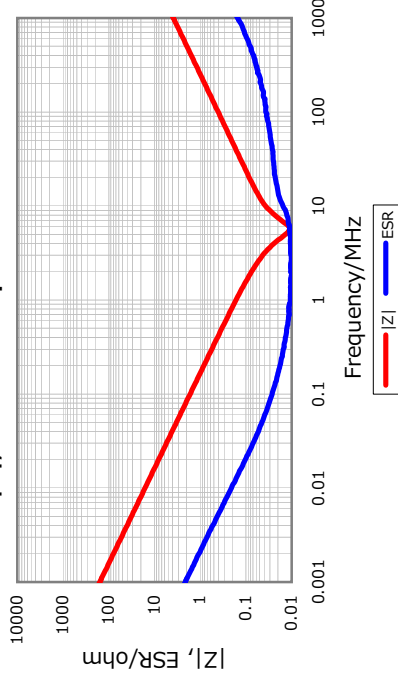
Commercial Grade ( 2 in 1 Array )

## Series

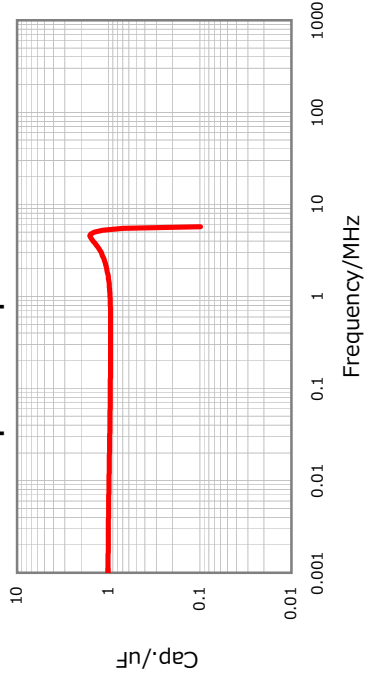
CKCL22(2012) [EIA CC0805]



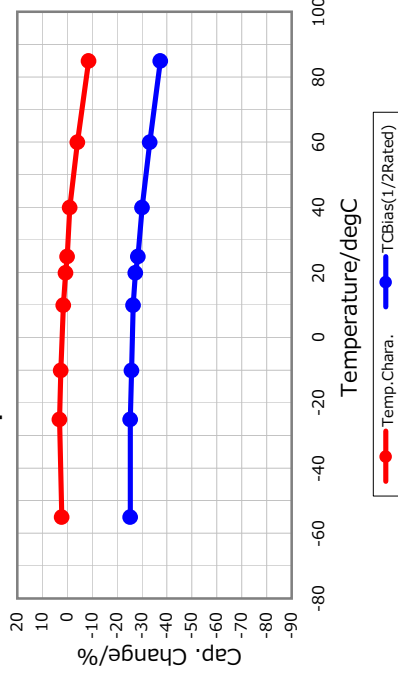
## |Z|, ESR vs. Freq. Characteristics



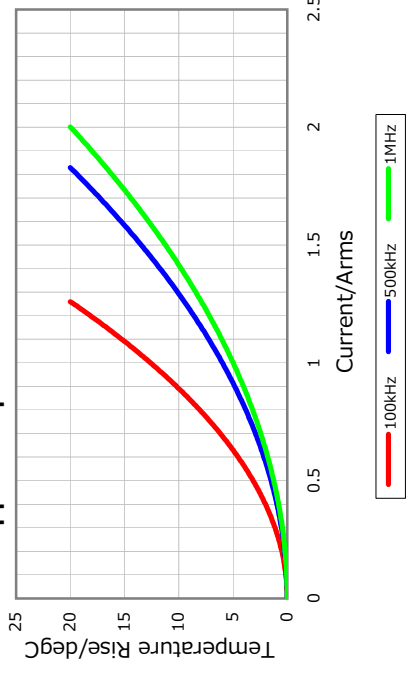
## Cap. vs. Freq. Characteristic



## Temperature Characteristics



## Ripple Temperature Rise Characteristics



## Dimensions

- L 2.00mm +/-0.15mm
- W 1.25mm +/-0.15mm
- T 0.85mm +/-0.15mm
- C 0.45mm Nom.
- P 1.00mm Nom.

## Temperature Characteristic

X5R (-55 to 85 degC +/-15%)

## Rated Voltage

1C (16Vdc)

## Capacitance

1uF

## Capacitance Tolerance

M (+/-20%)

## Dissipation Factor

5% Max.

## Insulation Resistance

100Mohm Min.

## AEC-Q200

Not Applicable



All specifications are subject to change without notice.

January 4, 2016