

**Circuits
from the Lab®**
Reference Designs

Circuits from the Lab® reference designs are engineered and tested for quick and easy system integration to help solve today's analog, mixed-signal, and RF design challenges. For more information and/or support, visit www.analog.com/CN0343.

Devices Connected/Referenced	
ADuC7126	32 kB RAM, 126 kB Flash ARM7TDMI Processor with Flexible Peripheral
ADP3629	High Speed, Dual, 2 A MOSFET Driver
ADCMP670	Dual Low Power 1.5% Comparator with 400 mV Reference
ADP1613	650 kHz /1.3 MHz Step-Up PWM DC-to-DC Switching Converters
AD8692	Low Cost, Low Noise, Dual CMOS Rail-to-Rail Output Operational Amplifiers
AD8541	General-Purpose CMOS Rail-to-Rail Amplifier
ADP7104	20 V, 500 mA, Low Noise, CMOS LDO
ADM3483	3.3 V, Slew Rate Limited, Half Duplex, RS-485/RS-422 Transceivers

Ultrasonic Distance Measurement

EVALUATION AND DESIGN SUPPORT

Circuit Evaluation Boards

[CN-0343 Circuit Evaluation Board \(EVAL-CN0343-EB1Z\)](#)

Design and Integration Files

[Schematics](#), [Source Code](#), [Layout Files](#), [Bill of Materials](#)

CIRCUIT FUNCTION AND BENEFITS

The circuit shown in Figure 1 is a completely self-contained distance sensor that utilizes an ultrasonic transmitter and sensitive analog receiver in conjunction with a precision analog microcontroller to provide distance measurements. Unlike complicated PLL-based receivers, the sensor shown in Figure 1 uses a sensitive window comparator circuit, thereby minimizing real estate and cost.

The approximate range is from 50 cm to 10 m with a resolution of about 2 cm. Temperature compensation is provided by the integrated temperature sensor and analog-to-digital converter (ADC) contained in the microcontroller.

In industrial applications, distance measurement is a common requirement, such as fluid level sensing or sensing the distance between solids. Industrial fluids are often corrosive or contain solids and debris, as in wastewater purification or chemical processing. Therefore, ultrasonic techniques are advantageous because the sensor does not contact the liquid or object directly, as in the case of flotation-based sensors.

For sensing the levels of thick liquids or foamy water, the ultrasonic level sensor is a better choice than capacitance, reed, or float sensors. In very dusty or corrosive environments, the ultrasonic sensor is the sensor of choice.

Rev. A

Circuits from the Lab® reference designs from Analog Devices have been designed and built by Analog Devices engineers. Standard engineering practices have been employed in the design and construction of each circuit, and their function and performance have been tested and verified in a lab environment at room temperature. However, you are solely responsible for testing the circuit and determining its suitability and applicability for your use and application. Accordingly, in no event shall Analog Devices be liable for direct, indirect, special, incidental, consequential or punitive damages due to any cause whatsoever connected to the use of any Circuits from the Lab circuits. (Continued on last page)

One Technology Way, P.O. Box 9106, Norwood, MA 02062-9106, U.S.A.
Tel: 781.329.4700 www.analog.com
Fax: 781.461.3113 ©2014–2015 Analog Devices, Inc. All rights reserved.

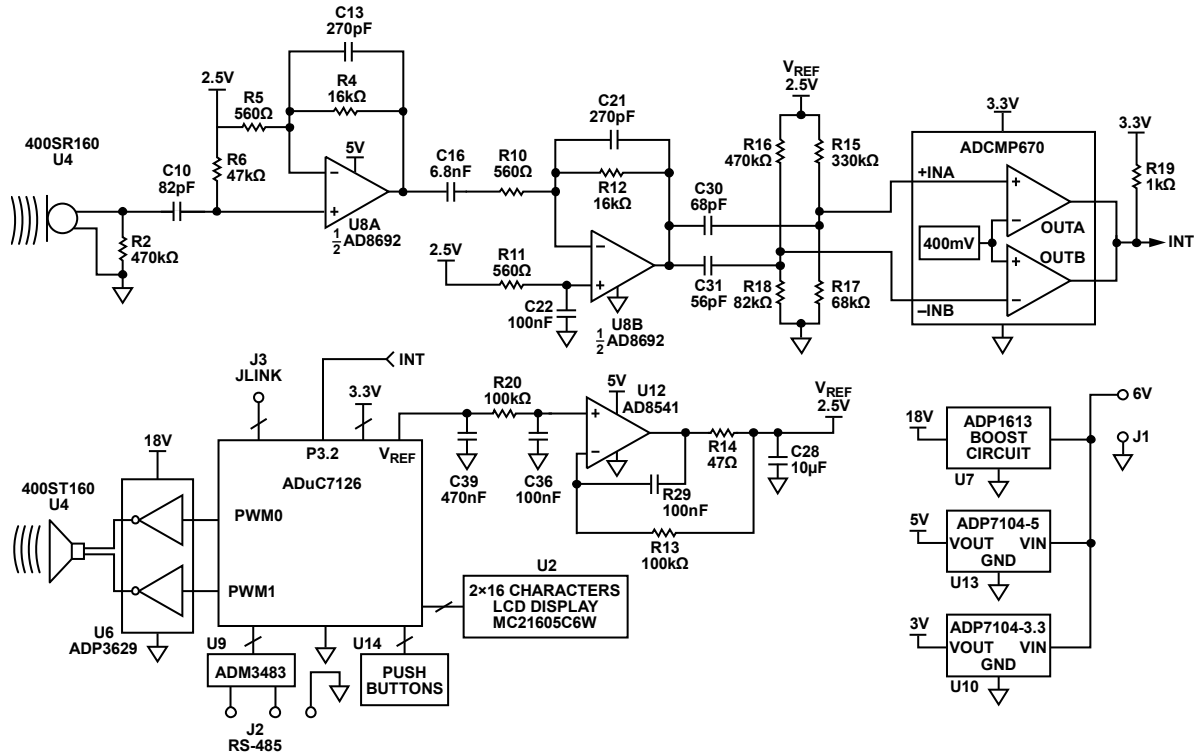


Figure 1. Ultrasonic Distance Sensor (Simplified Schematic: All Connections and Decoupling Not Shown)

CIRCUIT DESCRIPTION

Ultrasonic Measurement Theory

Figure 2 shows a typical ultrasonic distance measurement system. The time between the transmitted sound and the received sound, *t*, is used to measure the distance, *d*:

$$d = \frac{C_{AIR} \times t}{2}$$

where *C_{AIR}* is the velocity of sound.

In the dry air, the speed of sound in m/s is approximately

$$C_{AIR} = 20.0457\sqrt{273.15 + T} \text{ m/s}$$

where *T* is the temperature in °C.

At 25°C, *C_{AIR}* = 346.13 m/s. Ultrasonic distance measurements must have temperature compensation to yield accurate results, because the error in the distance measurement due to the velocity variation is approximately 0.18% of the distance for a 1°C error in the temperature measurement.

The acoustic impedance, *Z*, of a medium is defined as

$$Z = \rho \times V$$

where:

ρ is the density of the medium.

V is the acoustic velocity.

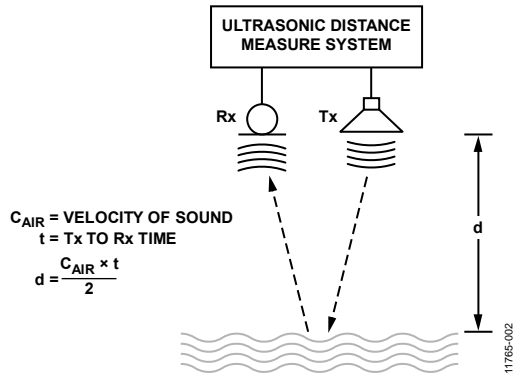


Figure 2. Typical Ultrasonic Distance Measurement System

When sound strikes a medium, the amount reflected is defined by the reflection coefficient, *R*:

$$R = \frac{Z2 - Z1}{Z2 + Z1}$$

where:

Z1 is the acoustic impedance of air.

Z2 is the acoustic impedance of the medium.

The acoustic impedance of liquids or solids is much greater than that of air, therefore *R* ~ 1, and most of the sound is reflected.

In a typical system, the ultrasonic transmitter is first driven and emits a short burst at the resonant frequency of the transmitter. The receiver then listens for the echo. When the echo is detected, the time interval is measured by the processor and the distance is calculated.

The receiver must be disabled during the time the transmit pulse occurs until it decays. This time is called the blanking time, and it prevents the transmitter from affecting the receiver. The minimum distance the system can measure, d_{MIN} , is determined by the duration of the blanking time, t_{BLANK} .

$$d_{MIN} = \frac{C_{AIR} \times t_{BLANK}}{2}$$

The maximum distance the system can measure is determined by the sensitivity of the receiver circuit. The resolution of the system is determined by the resolution of the timer.

Circuit Operation

The ultrasonic ceramic transmitter is a 400ST160 made by Pro-Wave Electronics Corporation. The maximum driving voltage is 20 V rms (57 V p-p), and the resonant frequency is 40 kHz. The transmitter is driven by the ADP3629 dual MOSFET driver connected to the 18 V ADP1613 boost supply. This produces a 36 V p-p differential drive signal. The ADP3629 is driven by the PWM0 and PWM1 outputs of the ADuC7126 precision analog microcontroller. When the pulse-width modulation (PWM) output is disabled, the outputs are high, which forces the ADP3629 outputs to ground.

When the ceramic transmitter is driven with the 40 kHz pulse train, it produces a sound wave at the self-resonant frequency of 40 kHz. When the 40 kHz drive signal is removed, it takes approximately 1 ms for the transmitter to stop resonating. This requires a blanking interval of about 2 ms to prevent the receiver from false triggering.

The ADuC7126 precision analog microcontroller has an ARM7TDMI core with 126 kB flash and 32 kB SRAM. The ADuC7126 also contains precision analog peripherals on-chip, including a 12-bit ADC, temperature sensor, reference, and 12-bit digital-to-analog converters (DACs). The ADuC7126 is programmed to control the timing and readout functions as well as to perform temperature compensation. The time between the transmit and receive signals is determined by using the ADuC7126 internal timer that operates on a 41 MHz clock.

The receiver consists of a Pro-Wave 400SR160 receiver followed by a two-stage amplifier and a window comparator. The overall circuit acts as a 40 kHz band-pass filter where C10/R6, C16/R10, C30/R15||R17, and C31/R16||R18 are the high-pass sections, and U8A (C13/R4) and U8B (C21/R12) are the low-pass sections. Each stage is tuned for -3 dB bandwidth of 40 kHz. The calculated gain of each stage at 40 kHz is as follows:

- C10/R6, HPF: 0.696
- U8A, LPF: 20.4
- C16/R10, HPF: 0.691
- U8B, LPF: -19.4
- C30/R15||R17: 0.694, C31/R16||R18: 0.701

The total gain at 40 kHz from the receiver transducer to the input of the comparator stage is obtained by multiplying the above values and is approximately 132, or 42.4 dB.

The output of the U8B gain stage drives an ADCMP670 dual comparator configured as a window comparator. The bias voltages that set the upper and lower limits of the window voltage are determined by the R15/R17 and R16/R18 dividers. The nominal window voltages at +INA and -INB are 427.1 mV and 371.4 mV, respectively. The corresponding window width is 55.7 mV. The threshold voltage of the window is set by the ADCMP670 internal reference voltage of 400 mV. When the comparator input signal exceeds the window threshold in either direction, the output INT signal goes low. A change of 25 mV in either direction triggers INT, corresponding to an input change of approximately $25 \text{ mV}/132 = 189 \text{ } \mu\text{V}$.

The operation of the circuit is as follows:

1. Microprocessor enables the interrupt input.
2. 40 kHz PWM transmission pulse train generated.
3. Transmission detected by receiver, and INT goes low.
4. Interrupt time captured by the ADuC7126 internal timer.
5. Transmitted pulses stopped.
6. Interrupt input disabled for 2 ms blanking period.
7. Interrupt input enabled.
8. INT goes low when echo signal detected.
9. Interrupt time captured by the timer.
10. Difference between interrupt times used to calculate distance.
11. Temperature compensation performed by digitizing the output of internal temperature sensor with on-chip ADC.
12. Result displayed on LCD display.

The interrupt signals from the window comparator are not handled by the microprocessor but are captured by the ADuC7126 internal timer. This minimizes software latency, and the 41.77 MHz timer provides a resolution of 23.9 ns.

The ADuC7126 has a calibrated on-chip temperature sensor and 12-bit ADC that can be used for temperature compensation. Additionally, the ADuC7126 has an on-chip high precision voltage reference that is buffered by the AD8541 and used to generate the high precision window comparator threshold voltages and the common-mode voltage for the AD8692 gain stages.

Window Comparator Design

While some ultrasonic receivers use PLLs driven by variable gain amplifiers (VGAs) to detect the echo, the receiver in Figure 1 uses a high gain two-stage amplifier and a window comparator to convert the 40 kHz sinusoidal transmitted signal and then the received echo signal to digital interrupts.

The ADCMP670 is a precision dual comparator with a 400 mV reference and has one inverting input and one noninverting input, making it suitable for use as a window comparator. The window comparator generates interrupts for both the rising edge and the falling edge of the echo signal.

In standard atmosphere at 25°C, the 40 kHz ultrasonic wavelength in the air is

$$\lambda = \frac{v}{f} = \frac{346.13 \text{ m/s}}{40 \text{ kHz}} = 8.65 \text{ mm}$$

If there is a 1 cycle error in the detection of the 40 kHz echo, the corresponding distance error is approximately 8.65 mm/2 = 4.32 mm.

Proper selection of the threshold voltages is critical to the operation of the circuit. If the difference window voltage is too large, there is a loss in sensitivity. On the other hand, if the window voltage is too small, the circuit may produce false interrupts due to noise.

The [ADCMP670](#) dual comparator (3.3 V supply, 0°C to +70°C) must have a +INA threshold of greater than 409 mV and a -INB threshold of less than 383.5 mV. If these conditions are not met under the worst case conditions, then the window comparator does not operate properly.

The following must therefore be considered in selecting the +INA and -INB bias voltages and the corresponding divider resistors, R15, R16, R17, and R18:

1. Initial accuracy (2.5 V ±5 mV) and temperature variation (15 ppm/°C) of the [ADuC7126](#) 2.5 V reference voltage
2. Maximum offset voltage over temperature (7 mV) for the [AD8541](#)
3. Initial tolerance (1%) and temperature coefficient (100 ppm/°C) of the bias resistors: R15, R16, R17, and R18

Assuming a 25°C ±50° temperature range, the minimum and maximum reference voltage is given by

$$\begin{aligned} V_{REFMAX} &= 2.5 \text{ V} + V_{OS(ADuC7126)} + 2.5 \text{ V}(TCV_{OS(ADuC7126)} \times \Delta T) \\ &= 2.5 \text{ V} + 5 \text{ mV} + 7 \text{ mV} + 2.5 \text{ V} \times 15 \text{ ppm/}^\circ\text{C} \times 50^\circ\text{C} \\ &= 2.5138 \text{ V} \end{aligned}$$

$$\begin{aligned} V_{REFMIN} &= 2.5 \text{ V} - V_{OS(ADuC7126)} - 2.5 \text{ V}(TCV_{OS(ADuC7126)} \times \Delta T) \\ &= 2.5 \text{ V} - 5 \text{ mV} - 7 \text{ mV} - 2.5 \text{ V} \times 15 \text{ ppm/}^\circ\text{C} \times 50^\circ\text{C} \\ &= 2.4861 \text{ V} \end{aligned}$$

For the window comparator not to have spurious triggering, the [ADCMP670](#) input bias voltages must satisfy the following conditions:

$$V_{+INA} > 409 \text{ mV when } V_{REF} = 2.4861 \text{ V}$$

$$V_{-INB} < 383.5 \text{ mV when } V_{REF} = 2.5138 \text{ V}$$

To reduce the system cost, choose E24 type 1%, 100 ppm/°C resistors for R15, R16, R17, and R18.

Over a 50°C temperature range, the 1% resistor values can change an additional 0.5%. Therefore, the ratios R15:R17 and R16:R18 can be either 3% above or below the nominal value in the worst case.

For the V_{+INA} pin of the [ADCMP670](#),

$$\frac{R15}{R17} < \frac{2.4861 \text{ V} - 409 \text{ mV}}{409 \text{ mV}} \times 0.97 = 4.926$$

Choose R15 = 330 kΩ, R17 = 68 kΩ, then

$$\frac{R15}{R17} = 4.853 < 4.926$$

For the V_{-INB} pin of the [ADCMP670](#),

$$\frac{R16}{R18} > \frac{2.5138 \text{ V} - 383.5 \text{ mV}}{383.5 \text{ mV}} \times 1.03 = 5.722$$

Choose R16 = 470 kΩ, R18 = 82 kΩ, then

$$\frac{R16}{R18} = 5.732 > 5.722$$

Assuming nominal values for the resistors and the reference voltage, $V_{+INA} = 427.1 \text{ mV}$, $V_{-INB} = 371.4 \text{ mV}$, the window voltage is approximately 55.7 mV.

The values of C30 and C31 are selected such that they form 40 kHz high-pass filters with R15||R17 and R16||R18, respectively.

Reference Buffer Circuit

The reference output of the [ADuC7126](#) has only 5 μA drive capability and therefore must be buffered for use in the circuit. The [AD8541](#) was chosen because of its low supply current (45 μA) and single-supply capability.

The [AD8541](#) drives a large 10 μF decoupling capacitor required for charge storage and transient suppression. Therefore, the op amp must be properly compensated to maintain stability. Most rail-to-rail output op amps require some type of compensation when driving capacitive loads because their output stage typically has a higher impedance than traditional emitter-follower or source follower stages.

The compensation network used in the circuit consists of R13, R14, and C29. Details for selecting the proper values can be found in the following references: [Op Amps Driving Capacitive Loads \(Ask the Applications Engineer—25\)](#), [Analog Dialogue 31-2](#) and [Practical Techniques to Avoid Instability Due to Capacitive Loading \(Ask the Applications Engineer—32\)](#), [Analog Dialogue 38-2](#).

Power Supply Circuits

The circuit in Figure 1 is powered from a single external +6 V supply or wall wart. The 5 V and 3.3 V supplies are developed from the [ADP7104-5](#) and [ADP7104-3.3](#) low dropout regulators (LDOs), respectively.

The 18 V required by the [ADP3629](#) ultrasonic transmitter drivers is supplied by the [ADP1613](#) boost circuit shown in Figure 3. The design is based on the [ADP161x Boost Regulator Design Tool](#), one of a number of useful power management design tools available at [ADIsimPower](#).

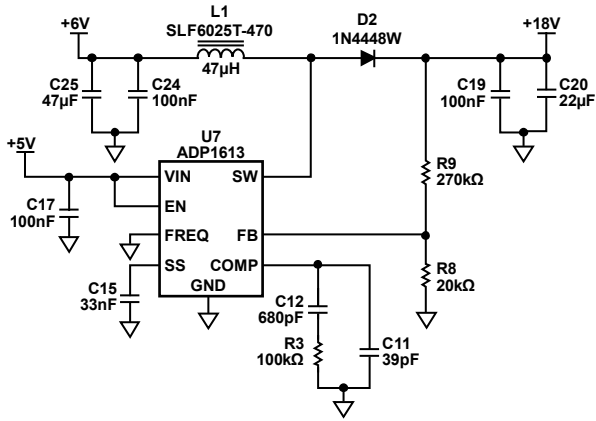


Figure 3. ADP1613 Boost Regulator Circuit

Printed Circuit Board (PCB) Layout Considerations

Because of the clock speeds of the ADuC7126 and the high sensitivity of the receiver circuit, careful attention must be given to excellent PCB layout, grounding, and decoupling techniques. See the MT-031 Tutorial and MT-101 Tutorial for details on grounding and decoupling.

Complete schematics, layouts, Gerber files, and bill of materials for the EVAL-CN0343-EB1Z board can be found in the CN-0343 Design Support Package at www.analog.com/CN0343-DesignSupport.

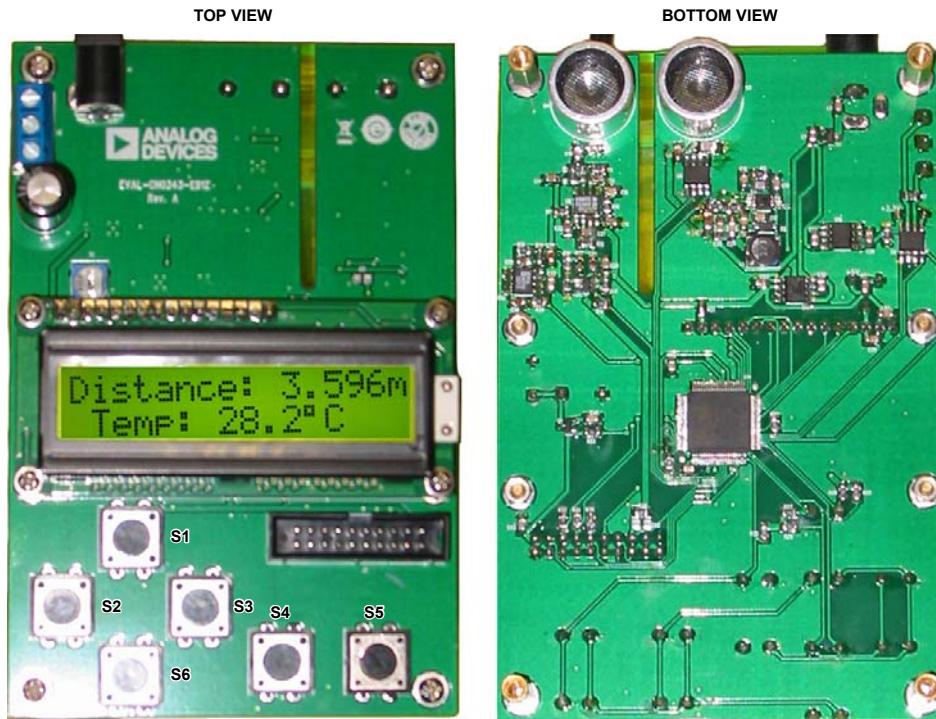


Figure 4. Top View and Bottom View of EVAL-CN0343-EB1Z PCB



Figure 5. Examples of LCD Readout

Software Operation

The [EVAL-CN0343-EB1Z](#) comes preloaded with the code required to make distance measurements. The code can be found in the [CN0343 Design Support Package](#) at www.analog.com/CN0343-DesignSupport in the [CN0343-SourceCode.zip](#) file.

The user interface consists of the six push button keys, as shown in Figure 4.

The default functions of the buttons are as follows:

- S1: UP**
- S2: LEFT**
- S3: RIGHT**
- S6: DOWN**
- S4: OK**
- S5: CANCEL**

After power-on, the LCD shows the welcome screen for about three seconds:

ANALOG DEVICES
EVAL-CN0343-EB1Z

After the welcome screen, the circuit enters working mode and displays the home screen, which shows the target distance and the temperature. The temperature displayed is that measured by the [ADuC7126](#). The distance measurement is corrected for the measured temperature.

Distance: X.XXX m
Temp: YY.Y°C

Press the **OK** key to cause the processor to enter the menu status. The **UP**, **DOWN**, **LEFT**, and **RIGHT** keys each display different menu items, respectively, Calibrate Temperature, RS-485 Interface Baud Rate, and RS-485 Interface Address.

Display the desired menu item, such as Calibrate Temperature:

Calibrate
Temperature?

Press the **OK** key and the following display appears:

Sensor: XX.X°C
Set to: YY.Y°C

The temperature set to value (up to $\pm 50^{\circ}\text{C}$) is set as follows: use the **LEFT** and **RIGHT** keys to select the numerical digit, and then the **UP** and **DOWN** keys to increase or decrease the digit. Repeat this for each temperature digit.

The temperature set to feature allows the user to offset the temperature measured by the [ADuC7126](#) internal sensor and make it agree with the actual air temperature measured for higher accuracy.

Once the desired temperature offset is entered, press the **OK** key.

Note that pressing the **CANCEL** key at any time cancels the current operation and returns the user to the previous screen.

The RS-485 baud rate setting is 75 Hz to 250 kHz, and the RS-485 address range is 1 to 255.

The default system settings are: temperature offset, 0°C ; RS-485 baud rate, 115200; RS-485 address, 1.

More information regarding the actual [ADuC7176](#) source code can be found in the [CN0343 Design Support Package](#) at www.analog.com/CN0343-DesignSupport.

COMMON VARIATIONS

Although the maximum drive voltage for the [ADP3629](#) is 18 V, larger sound levels from the transmitter can be achieved by using a higher drive voltage and an analog switch with a higher voltage capability such as the [ADG5436](#). For output voltages greater than 20 V, the [ADP1613](#) boost circuit can be modified by adding an external MOSFET switch as described in the [ADP161x Boost Regulator Design Tool](#), which is one of a number of useful power management design tools available at [ADIsimPower](#).

CIRCUIT EVALUATION AND TEST

This circuit uses the [EVAL-CN0343-EB1Z](#) circuit board.

Equipment Needed

The following equipment is needed:

- [EVAL-CN0343-EB1Z](#) circuit board
- 6 V power supply or wall wart ([EVAL-CFTL-6V-PWRZ](#))
- [CN-0343](#) source code: www.analog.com/CN0343-DesignSupport

Setup

Connect the 6 V power supply ([EVAL-CFTL-6V-PWRZ](#)) to J1 on the [EVAL-CN0343-EB1Z](#) circuit board.

Turn on the power by connecting the [EVAL-CFTL-6V-PWRZ](#), put the [EVAL-CN0343-EB1Z](#) board at the front of target distance in 50 cm to 10 m, and make sure that the U3 and U4 ultrasonic sensors are facing the target. The target must have a large, smooth, nonabsorbing surface.

Make sure there are no objects within the circular cone angle of about 60° from the sensor. The target surface must be perpendicular to the sensor.

To use the [EVAL-CN0343-EB1Z](#) in standalone mode, the only requirement is to connect the power. To use the board in network mode, connect a PC with an RS-485 interface to connect to J2. Pin 1 (close to J1) is the Signal B, Pin 2 is GND, and Pin 3 is Signal A.

After setting both the [EVAL-CN0343-EB1Z](#) and the PC to the same RS-485 baud rate, use the PC to send the xxx query\r\n, where command xxx is the [CN-0343](#) decimal address, and \r\n are the return characters. The [CN-0343](#) replies to the command with the address, temperature, and distance information.

Connectivity for Prototype Development

The EVAL-CN0343-EB1Z is designed to be powered with the EVAL-CFTL-6V-PWRZ wall wart 6 V power supply. In standalone working mode, the power supply is the only connection required.

In network mode, any device with an RS-485 interface can read the results from EVAL-CN0343-EB1Z. The largest numerical address allowed is 255.

A typical PC connection diagram showing an RS-485 to RS-232 adapter is shown in Figure 6.

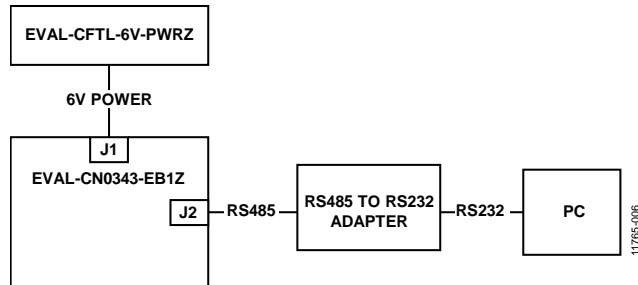


Figure 6. Connection Diagram for Using the EVAL-CN0343-EB1Z in Network Mode

LEARN MORE

CN-0343 Design Support Package:

www.analog.com/CN0343-DesignSupport

400ST160 Ultrasonic Transmitter and 400SR160 Ultrasonic Receiver, Pro-Wave Electronic Corporation.

Op Amps Driving Capacitive Loads (Ask the Applications Engineer—25), Analog Dialogue 31-2, Analog Devices.

Practical Techniques to Avoid Instability Due to Capacitive Loading (Ask the Applications Engineer—32), Analog Dialogue 38-2, Analog Devices.

Linear Circuit Design Handbook, Analog Devices.

Op Amp Applications Handbook, Analog Devices.

MT-031 Tutorial, *Grounding Data Converters and Solving the Mystery of “AGND” and “DGND”*, Analog Devices.

MT-101 Tutorial, *Decoupling Techniques*, Analog Devices.

Data Sheets and Evaluation Boards

[ADuC7126 data sheet](#)

[ADP3629 data sheet](#)

[ADCMP670 data sheet](#)

[ADP1613 data sheet](#)

[AD8692 data sheet](#)

[AD8541 data sheet](#)

[ADP7104 data sheet](#)

[ADM3483 data sheet](#)

REVISION HISTORY

8/15—Rev. 0 to Rev. A

Changed query xxx\r\n to xxx query\r\n, Setup Section 6

4/14—Revision 0: Initial Version

(Continued from first page) Circuits from the Lab reference designs are intended only for use with Analog Devices products and are the intellectual property of Analog Devices or its licensors. While you may use the Circuits from the Lab reference designs in the design of your product, no other license is granted by implication or otherwise under any patents or other intellectual property by application or use of the Circuits from the Lab reference designs. Information furnished by Analog Devices is believed to be accurate and reliable. However, Circuits from the Lab reference designs are supplied "as is" and without warranties of any kind, express, implied, or statutory including, but not limited to, any implied warranty of merchantability, noninfringement or fitness for a particular purpose and no responsibility is assumed by Analog Devices for their use, nor for any infringements of patents or other rights of third parties that may result from their use. Analog Devices reserves the right to change any Circuits from the Lab reference designs at any time without notice but is under no obligation to do so.

©2014–2015 Analog Devices, Inc. All rights reserved. Trademarks and registered trademarks are the property of their respective owners.
CN11765-0-8/15(A)

