



**ULTRA LOW PHASE NOISE AMPLIFIER MODULE, 7 - 11 GHz**

**Features**

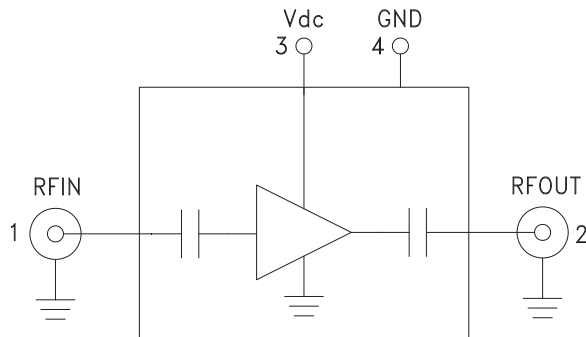
- Ultra Low Phase Noise: -170 dBc/Hz @ 1 kHz
- Noise Figure: 6 dB
- Gain: 9 dB
- Psat: +25 dBm
- 50 Ohm Matched Input/Output
- Single Supply Voltage: +7V @ 300mA
- Hermetically Sealed Module
- Field Replaceable SMA Connectors
- 55 °C to +85 °C Operating Temperature

**Typical Applications**

The HMC-C076 is ideal for:

- Microwave Radio
- Military & Space
- Test Instrumentation
- VSAT

**Functional Diagram**



**General Description**

The HMC-C076 is a GaAs HBT Ultra Low Noise Amplifier in a miniature, hermetic module designed to operate between 7 and 11 GHz. This high dynamic range amplifier module provides 9 dB of gain, 6 dB noise figure and up to +25 dBm of output power with a single supply of +7V. The ultra low phase noise contribution of -170 dBc/Hz at 1 kHz offset, enables superior modulation accuracy within transceiver architectures. The wideband distributed amplifier I/O's are internally matched to 50 Ohms and DC blocked for robust performance. The module features removable SMA connectors which can be detached to allow direct connection of the I/O pins to a microstrip or coplanar circuit.

**Electrical Specifications,  $T_A = +25^\circ C$ ,  $V_{dc} = +7V$**

Parameter	Min.	Typ.	Max.	Units
Frequency Range		7 - 11		GHz
Vdc Range	6	7	8	V
Gain	5	9		dB
Gain Variation Over Temperature		0.02		dB/ °C
Noise Figure		6		dB
Input Return Loss		12		dB
Output Return Loss		15		dB
Output Power for 1 dB Compression (P1dB)	20	22		dBm
Saturated Output Power (Psat)		25		dBm
Output Third Order Intercept (IP3)		33		dBm
Phase Noise @ 100 Hz, Psat, 9 GHz		-160		dBc/Hz
Phase Noise @ 1 kHz, Psat, 9 GHz		-170		dBc/Hz
Phase Noise @ 10 kHz, Psat, 9 GHz		-180		dBc/Hz
Supply Current		300	360	mA

Information furnished by Analog Devices is believed to be accurate and reliable. However, no responsibility is assumed by Analog Devices for its use, nor for any infringements of patents or other rights of third parties that may result from its use. Specifications subject to change without notice. No license is granted by implication or otherwise under any patent or patent rights of Analog Devices. Trademarks and registered trademarks are the property of their respective owners.

For price, delivery, and to place orders: Analog Devices, Inc., One Technology Way, P.O. Box 9106, Norwood, MA 02062-9106 Phone: 781-329-4700 • Order online at [www.analog.com](http://www.analog.com) Application Support: Phone: 1-800-ANALOG-D

# HMC-C076\* PRODUCT PAGE QUICK LINKS

Last Content Update: 11/29/2017

---

## [COMPARABLE PARTS](#)

View a parametric search of comparable parts.

## [DOCUMENTATION](#)

### Data Sheet

- [HMC-C076 Data Sheet](#)

## [DESIGN RESOURCES](#)

- [HMC-C076 Material Declaration](#)
- [PCN-PDN Information](#)
- [Quality And Reliability](#)
- [Symbols and Footprints](#)

## [DISCUSSIONS](#)

View all HMC-C076 EngineerZone Discussions.

## [SAMPLE AND BUY](#)

Visit the product page to see pricing options.

## [TECHNICAL SUPPORT](#)

Submit a technical question or find your regional support number.

## [DOCUMENT FEEDBACK](#)

Submit feedback for this data sheet.

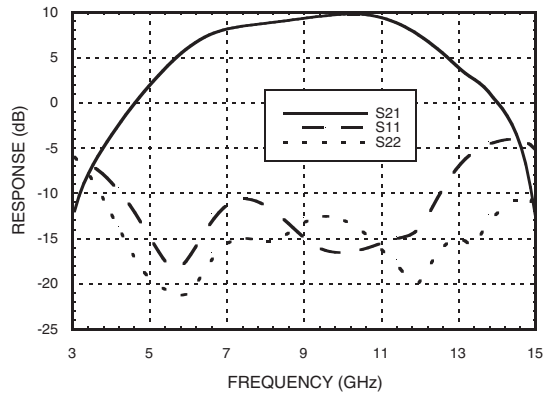
---

This page is dynamically generated by Analog Devices, Inc., and inserted into this data sheet. A dynamic change to the content on this page will not trigger a change to either the revision number or the content of the product data sheet. This dynamic page may be frequently modified.

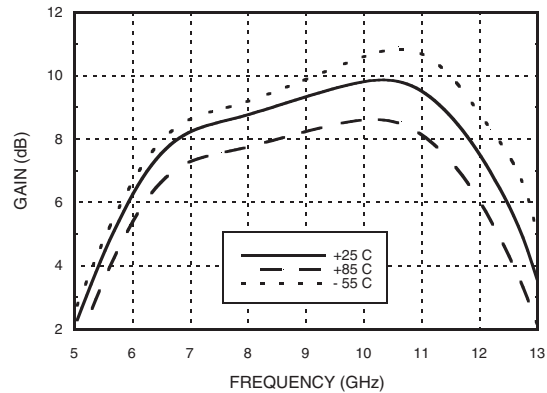


**ULTRA LOW PHASE NOISE AMPLIFIER MODULE, 7 - 11 GHz**

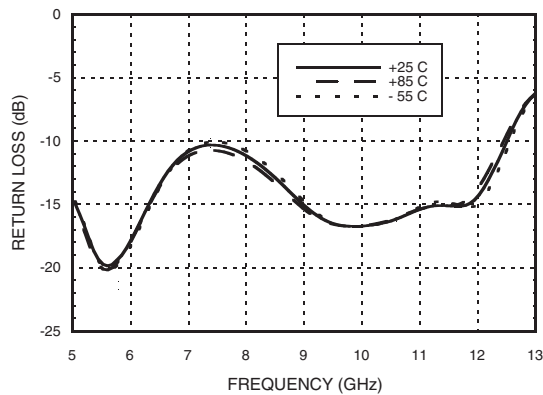
**Broadband, Gain & Return Loss**



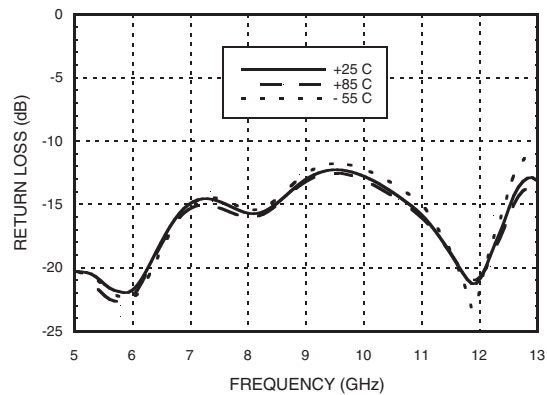
**Gain vs. Temperature**



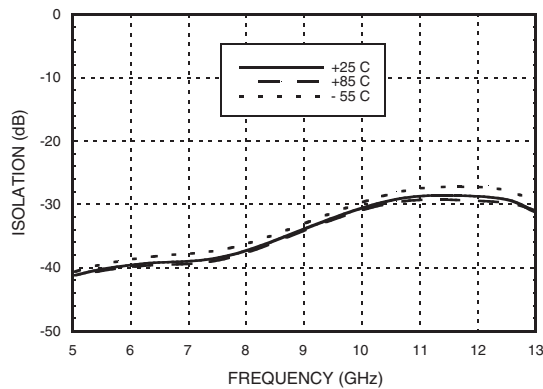
**Input Return Loss vs. Temperature**



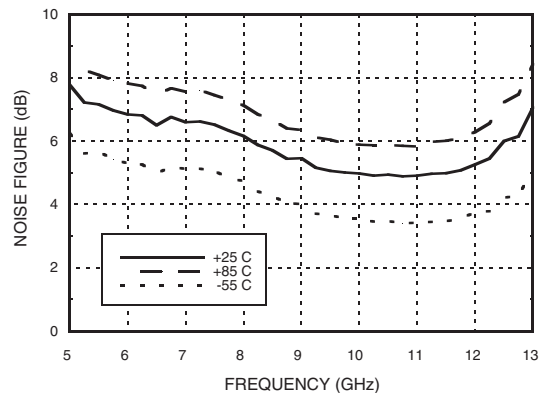
**Output Return Loss vs. Temperature**



**Reverse Isolation vs. Temperature**



**Noise Figure vs. Temperature**



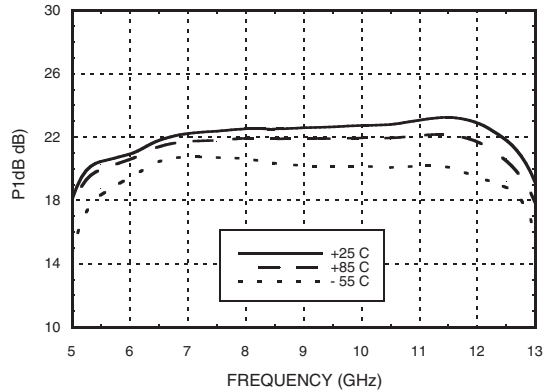
Information furnished by Analog Devices is believed to be accurate and reliable. However, no responsibility is assumed by Analog Devices for its use, nor for any infringements of patents or other rights of third parties that may result from its use. Specifications subject to change without notice. No license is granted by implication or otherwise under any patent or patent rights of Analog Devices. Trademarks and registered trademarks are the property of their respective owners.

For price, delivery, and to place orders: Analog Devices, Inc., One Technology Way, P.O. Box 9106, Norwood, MA 02062-9106 Phone: 781-329-4700 • Order online at [www.analog.com](http://www.analog.com) Application Support: Phone: 1-800-ANALOG-D

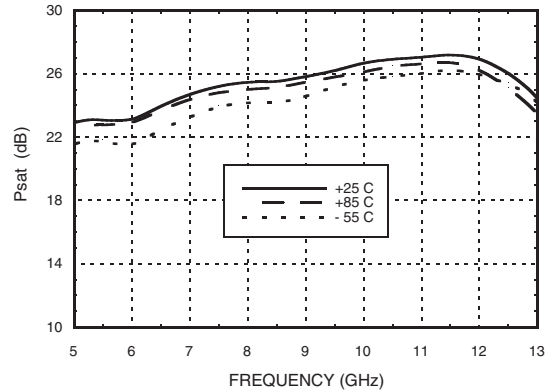


**ULTRA LOW PHASE NOISE AMPLIFIER MODULE, 7 - 11 GHz**

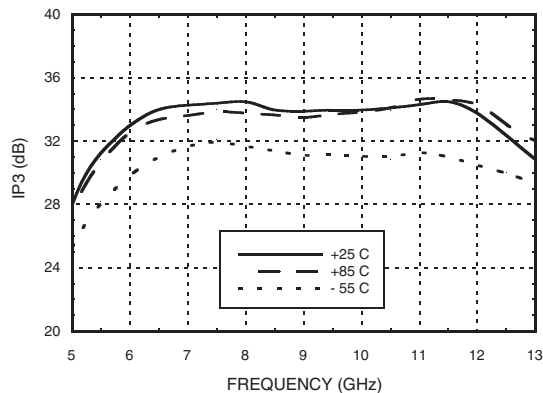
**Output P1dB vs. Temperature**



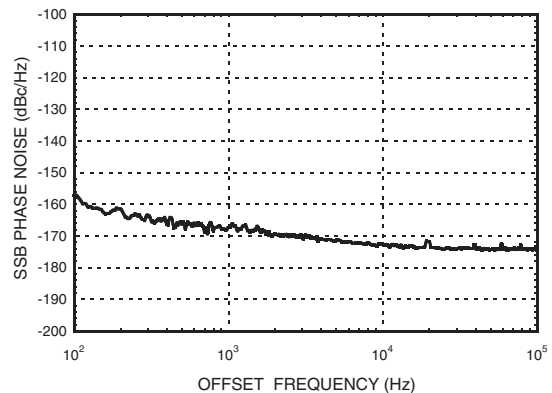
**Output Psat vs. Temperature**



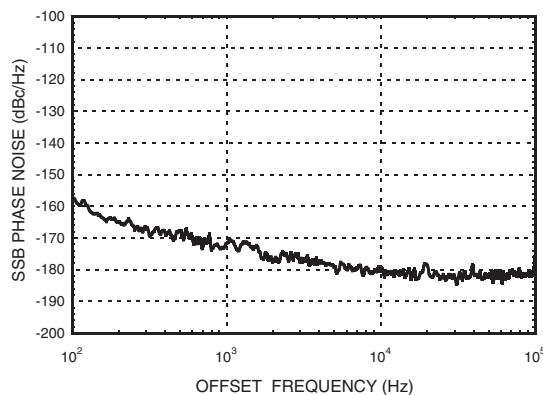
**Output IP3 vs. Temperature**



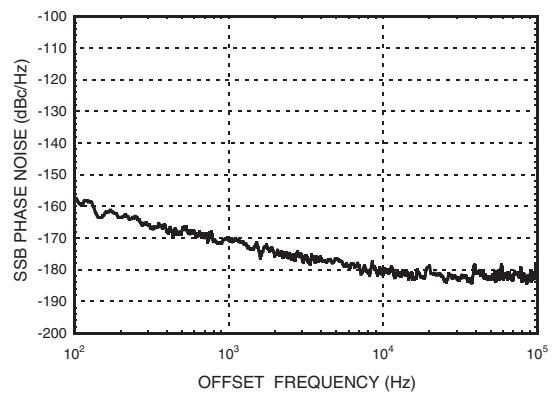
**Phase Noise at Pout = 10 dBm @ 9 GHz**



**Phase Noise at Pout = P1dB @ 9 GHz**



**Phase Noise at Pout = Psat @ 9 GHz**



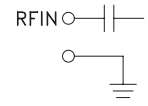
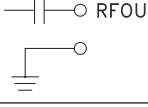
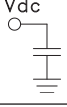

Information furnished by Analog Devices is believed to be accurate and reliable. However, no responsibility is assumed by Analog Devices for its use, nor for any infringements of patents or other rights of third parties that may result from its use. Specifications subject to change without notice. No license is granted by implication or otherwise under any patent or patent rights of Analog Devices. Trademarks and registered trademarks are the property of their respective owners.

For price, delivery, and to place orders: Analog Devices, Inc., One Technology Way, P.O. Box 9106, Norwood, MA 02062-9106 Phone: 781-329-4700 • Order online at [www.analog.com](http://www.analog.com) Application Support: Phone: 1-800-ANALOG-D


**ULTRA LOW PHASE NOISE  
AMPLIFIER MODULE, 7 - 11 GHz**
**Absolute Maximum Ratings**

Bias Supply Voltage (V)	+8V
RF Input Power (RFIN)	+20 dBm
Continuous Pdiss (T = 85 °C)	2.88W
Storage Temperature	-65 to +150 °C
Operating Temperature	-55 to +85 °C
ESD Sensitivity (HBM)	Class 1A

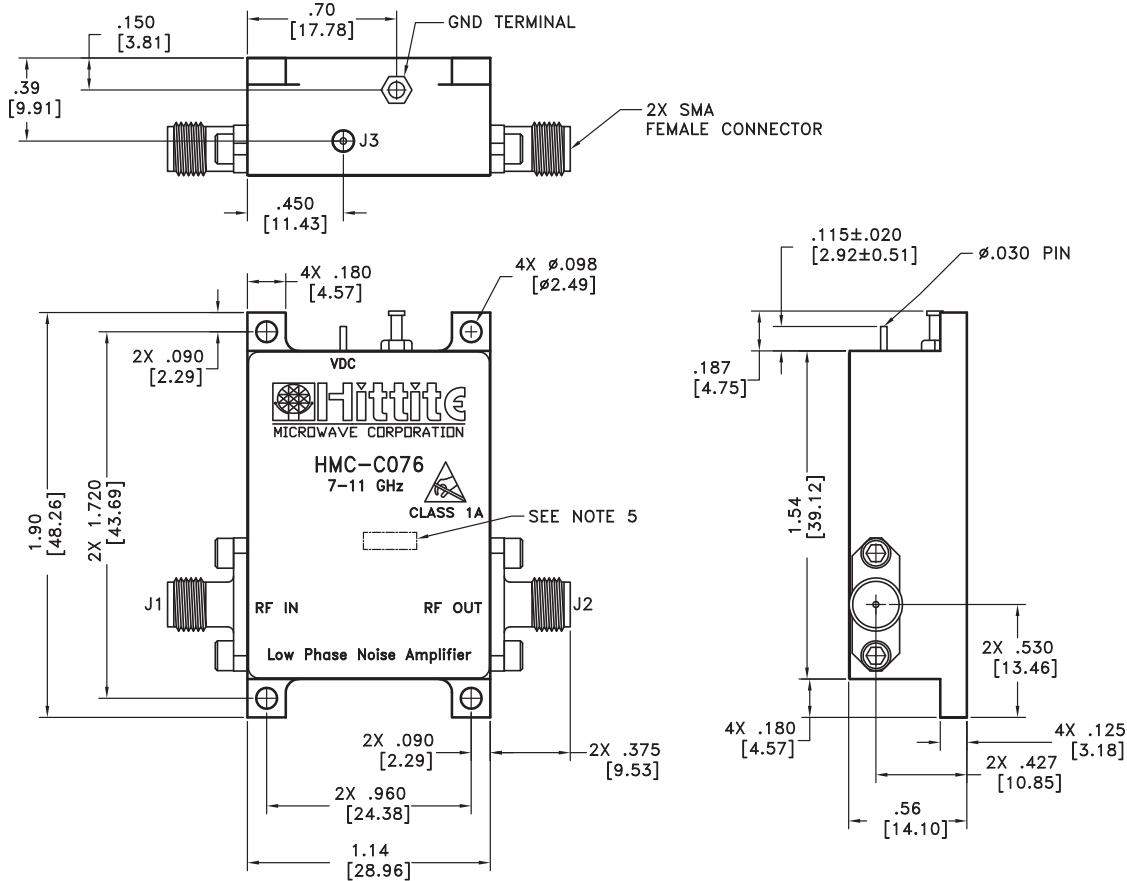

**ELECTROSTATIC SENSITIVE DEVICE  
OBSERVE HANDLING PRECAUTIONS**
**Pin Descriptions**

Pin Number	Function	Description	Interface Schematic
1	RFIN & RF Ground	RF input connector, coaxial female, field replaceable. This pin is AC coupled and matched to 50 Ohms.	
2	RFOUT & RF Ground	RF output connector, coaxial female, field replaceable. This pin is AC coupled and matched to 50 Ohms.	
3	Vdc	Power supply voltage for the amplifier.	
4	GND	Power supply ground.	



**ULTRA LOW PHASE NOISE AMPLIFIER MODULE, 7 - 11 GHz**

**Outline Drawing**



**Package Information**

Package Type	C-16
Package Weight	107 gms [1]

[1] ±1 gms Tolerance

**NOTES:**

1. PACKAGE, LEADS, COVER MATERIAL: KOVAR™
2. FINISH: GOLD PLATE OVER NICKEL PLATE.
3. ALL DIMENSIONS ARE IN INCHES [MILLIMETERS].
4. TOLERANCES:
  - 4.1 .XX = ±.02
  - 4.2 .XXX = ±.010
5. MARK LOT NUMBER ON 0.080 X 0.250 LABEL WHERE SHOWN, WITH 0.030" MIN TEXT HEIGHT.

Information furnished by Analog Devices is believed to be accurate and reliable. However, no responsibility is assumed by Analog Devices for its use, nor for any infringements of patents or other rights of third parties that may result from its use. Specifications subject to change without notice. No license is granted by implication or otherwise under any patent or patent rights of Analog Devices. Trademarks and registered trademarks are the property of their respective owners.

For price, delivery, and to place orders: Analog Devices, Inc., One Technology Way, P.O. Box 9106, Norwood, MA 02062-9106 Phone: 781-329-4700 • Order online at [www.analog.com](http://www.analog.com) Application Support: Phone: 1-800-ANALOG-D

**ULTRA LOW PHASE NOISE  
AMPLIFIER MODULE, 7 - 11 GHz****Notes:**