

Evaluating the ADP1032 Two-Channel, Isolated Micropower Management Unit

EVALUATION BOARD FEATURES

- Input voltage range: 4.5 V to 60 V
- Output voltage for V_{OUT1} : 24 V or 6 V to 28 V
- Output voltage for V_{OUT2} : 3.3 V, 5.0 V, or 5.15 V
- Enable and disable controls
- Slew rate controls
- Access to SYNC pin for oscillator synchronization
- Access to all seven data channels

EVALUATION KIT CONTENTS

ADP1032CP-x-EVALZ

SUPPORTED ADP1032 MODELS

ADP1032ACPZ-1, ADP1032ACPZ-2, ADP1032ACPZ-3, ADP1032ACPZ-4, and ADP1032ACPZ-5

ADDITIONAL EQUIPMENT NEEDED

- DC power supplies
- Multimeters for voltage and current measurements
- Electronic or resistive loads
- Function generator or alternative digital driver
- Oscilloscope

GENERAL DESCRIPTION

The ADP1032CP-x-EVALZ (where x represents the device model number of 1 through 5) can be used to demonstrate the functionality of the ADP1032 dc-to-dc converters and the isolated data channels.

Simple device measurements, such as line regulation, load regulation, and efficiency can be evaluated with the board. The performance of the isolated digital channels can also be evaluated. Device features, including oscillator synchronization, soft start, power good monitoring, sequencing and slew rate control may be demonstrated.

For more details about the dc-to-dc converters and the isolated data channels, refer to the ADP1032 data sheet.

ADP1032CP-x-EVALZ PHOTOGRAPH

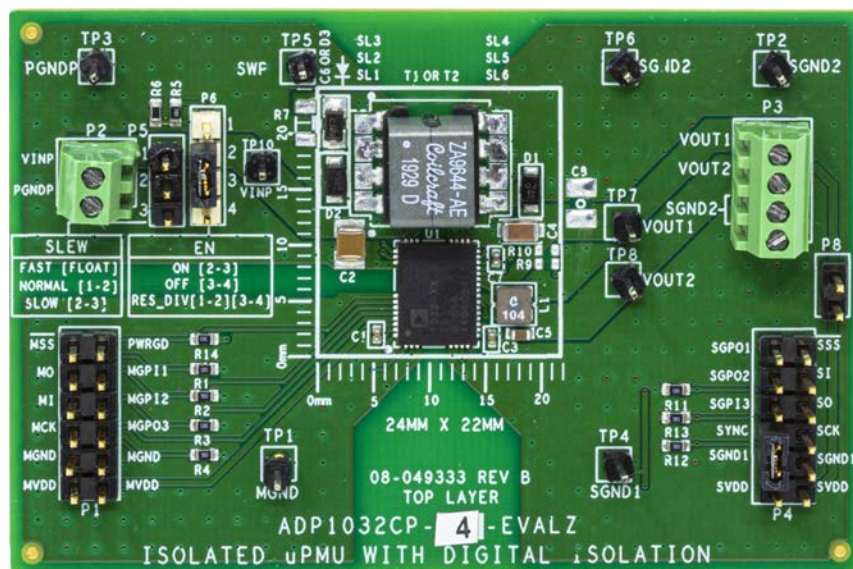


Figure 1.

TABLE OF CONTENTS

Evaluation Board Features	1	Power Domain Efficiency Measurement.....	5
Evaluation Kit Contents	1	Data Input/Output (I/O) Measurement	5
Supported ADP1032 Models	1	High Voltage Capability.....	5
Additional Equipment Needed	1	Output Voltage Measurements	6
General Description	1	Line Regulation	6
ADP1032CP-x-EVALZ Photograph	1	Load Regulation	6
Revision History	2	Efficiency	7
Evaluation Board Hardware	3	Transformer Configurations	7
Evaluation Board Configurations	3	Evaluation Board Schematic and Artwork	8
Measurement Setup.....	5	Ordering Information.....	11
Flyback Output Measurements	5	Bill of Materials	11
Buck Output Measurements.....	5		

REVISION HISTORY

1/2020—Revision 0: Initial Version

EVALUATION BOARD HARDWARE

EVALUATION BOARD CONFIGURATIONS

The evaluation board is configured for 4.5 V to 60 V input voltage and 24 V or 6 V to 28 V output voltage for V_{OUT1} , and 3.3 V, 5.0 V, or 5.15 V output voltage for V_{OUT2} . The board is designed so that the end user can customize the design if desired, and alternative component values can be obtained from the [ADP1032](#) data sheet.

Figure 2 outlines the board features available to the user and Figure 3 highlights the [ADP1032](#) and supporting components, including locations for optional components if the user wants to modify the design.

The [ADP1032](#) evaluation board was designed to accommodate two transformers: Coilcraft ZA9644-AE (T2) and Würth Elektronik 750317986 (T1).

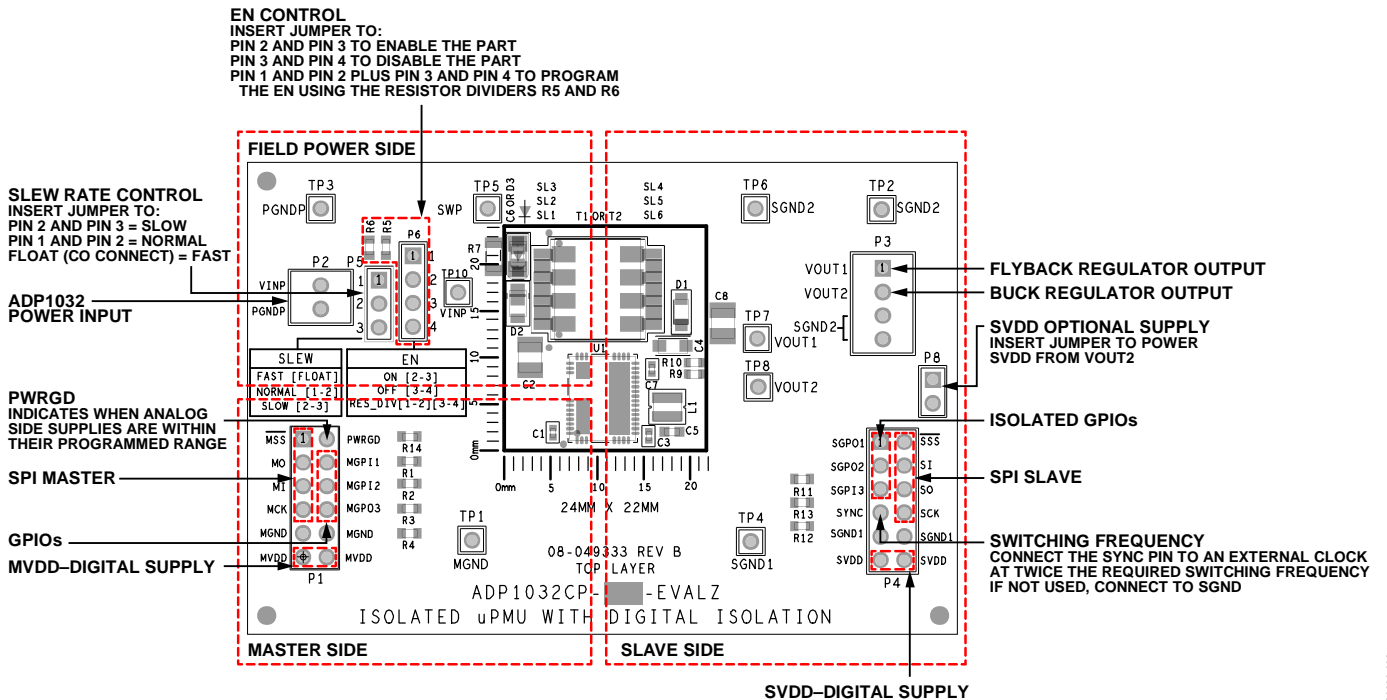


Figure 2. Outline of ADP1032CP-x-EVALZ Features

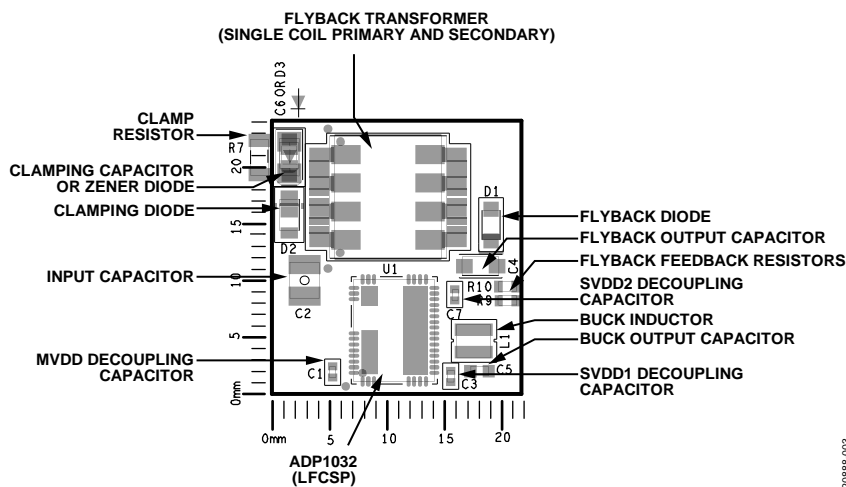


Figure 3. ADP1032CP-x-EVALZ Top Component Detail

Table 1. Evaluation Board Function Descriptions

Jumper/Connector Designation	Jumper/Connector Mnemonic	Description
P1	MVDD	Master side power input. This is between 2.3 V and 5.5 V.
	MCK	Serial peripheral interface (SPI) clock input from the master controller. Drives SCK on slave side.
	MI	SPI data output from the slave to the master master input, slave output (MISO) line. Driven by SO on slave side.
	MO	SPI data input from the master output, slave input (MOSI) line. Drives SI on slave side.
	$\overline{\text{MSS}}$	SPI slave select input from the master. This signal uses an active low logic. Drives $\overline{\text{SSS}}$ on slave side.
	PWRGD	Indicates when secondary side supplies on slave side are within their programmed range.
	MGPI1	General-Purpose Input 1. Used to send a low speed logic signal to the slave side. Paired with SGPO1.
	MGPI2	General-Purpose Input 2. Used to send a low speed logic signal to the slave side. Paired with SGPO2.
P2	MGPO3	General-Purpose Output 3. Used to receive a low speed logic signal from the slave side. Paired with SGPI3.
	MGND	Master side ground connection.
P2	VINP	Power input to ADP1032. This is between 4.5 V and 60 V.
	PGNDP	Power side ground connection.
P3	VOUT1	Output from flyback regulator.
	VOUT2	Output from buck regulator.
	SGND2	Slave Side Ground 2 connection.
P4	SVDD	Slave side power input. This is between 1.8 V and 5.5 V.
	SCK	SPI slave clock output. Paired with MCK.
	SO	SPI slave data output. Paired with MI.
	SI	SPI slave data input. Paired with MO.
	$\overline{\text{SSS}}$	SPI slave select output. Paired with $\overline{\text{MSS}}$. Driven by $\overline{\text{MSS}}$ on the master side.
	SGPO1	General Purpose Output 1. Paired with MGPI1.
	SGPO2	General Purpose Output 2. Paired with MGPI2.
	SGPI3	General Purpose Input 3. Paired with MGPO3.
	SYNC	Frequency setting and synchronization input. Connect the SYNC pin to an external clock. This is between 350 kHz and 750 kHz. The switching frequency of the flyback regulator is half of the external clock frequency. If not used, connect to SGND1.
	SGND1	Slave Side Ground 1 connection.
P5	SLEW	Flyback regulator slew rate control. The SLEW pin sets the slew rate for the SWP pin driver. For the fastest slew rate (best efficiency), leave the SLEW pin open. For the normal slew rate, connect the SLEW pin to VINP with Pin 1 and Pin 2 shorted. For the slowest slew rate (best electromagnetic interference (EMI) performance), connect the SLEW pin to PGNDP with Pin 2 and Pin 3 shorted.
P6	EN	Precision enable control. The EN pin is compared to an internal precision reference to enable the flyback regulator output. Connect a jumper to Pin 2 and Pin 3 to turn on the flyback regulator. Connect a jumper to Pin 3 and Pin 4 to turn off the flyback regulator. Connect a jumper to Pin 1 and Pin 2 together with another jumper to Pin 3 and Pin 4 to use the input as a programmable undervoltage lockout (UVLO) through the R5 resistive divider and R6 resistive divider.
P8	SVDD Optional Supply	Option for VOUT2 to power SVDD. Connect a jumper to P8 to power the SVDD from VOUT2.
TP1	MGND	MGND test point.
TP2, TP6	SGND2	SGND2 test points. Connected to SGND1.
TP3	PGNDP	PGNDP test point.
TP4	SGND1	SGND1 test point. Connected to SGND2.
TP5	SWP	Flyback regulator switching node test point.
TP7	VOUT1	VOUT1 test point.
TP8	VOUT2	VOUT2 test point.

MEASUREMENT SETUP

FLYBACK OUTPUT MEASUREMENTS

Figure 4 shows the recommended setup to evaluate the flyback regulator of the ADP1032CP-x-EVALZ.

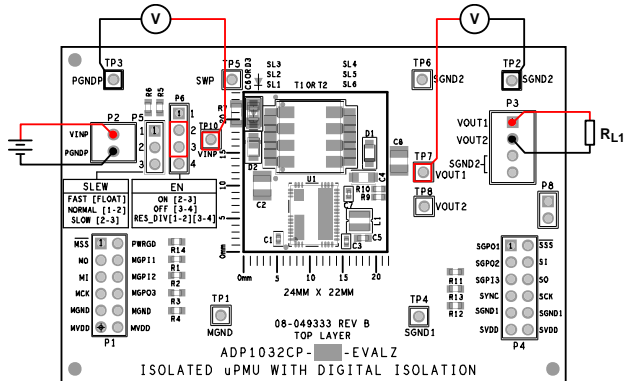


Figure 4. Flyback Regulator Measurement Setup

BUCK OUTPUT MEASUREMENTS

Figure 5 shows the recommended setup to evaluate the buck regulator of the ADP1032CP-x-EVALZ.

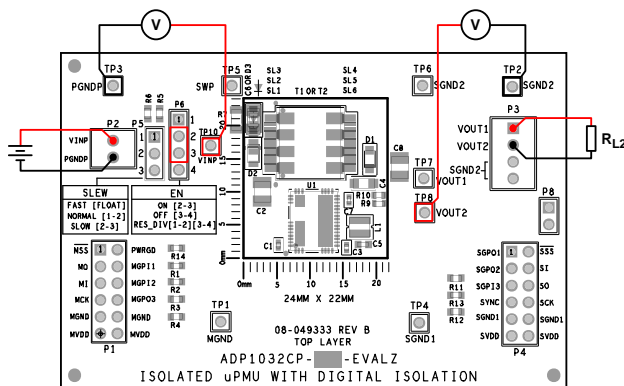


Figure 5. Buck Regulator Measurement Setup

POWER DOMAIN EFFICIENCY MEASUREMENT

For overall efficiency measurements, the actual input and output voltages and currents must be measured. Figure 6 shows the setup for the overall efficiency measurement for the ADP1032CP-x-EVALZ.

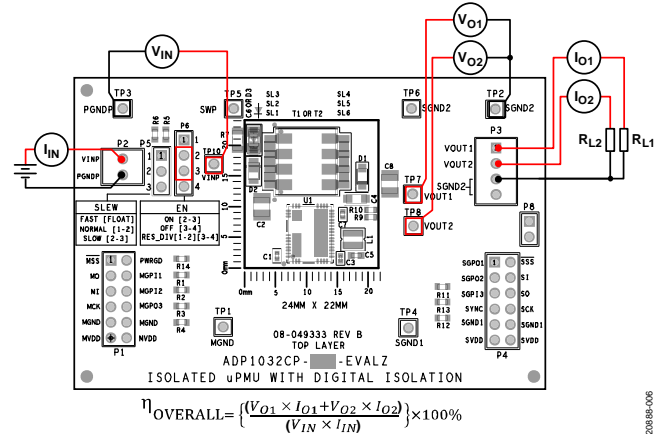


Figure 6. Overall Efficiency Measurement Setup

$$\eta_{\text{OVERALL}} = \left\{ \frac{(V_{O1} \times I_{O1} + V_{O2} \times I_{O2})}{(V_{IN} \times I_{IN})} \right\} \times 100\%$$

DATA INPUT/OUTPUT (I/O) MEASUREMENT

Each data channel, and the associated power supply input, is accessed through the P1 and P4 header connectors. Each side of the ADP1032CP-x-EVALZ isolator requires an off board power source. The power sources must be independent from each other if users want to apply common-mode voltages across the isolation barrier. Sharing a single power supply for MVDD and SVDD does not harm the isolator. Sharing a power supply is also useful for testing the ADP1032 digital isolators when common-mode voltages are not present.

A 100 kΩ pull-down resistor to ground is installed on each digital input. A 100 kΩ pull-up resistor is installed across the PWRGD output and MVDD.

To properly operate the SPI channels and the GPIO channels, refer to the ADP1032 data sheet.

HIGH VOLTAGE CAPABILITY

Take appropriate care when using the evaluation board at high voltages. Do not rely on the printed circuit board (PCB) for safety functions because the PCB has not been high potential tested (also known as HIPOT tested or dielectric withstanding voltage tested) nor certified for safety.

OUTPUT VOLTAGE MEASUREMENTS

For basic output voltage accuracy measurements, connect the evaluation board to a voltage source and a voltmeter. Use a resistor as the load for the regulator.

Ensure that the resistor has an adequate power rating to handle the expected power dissipation. Use an electronic load as an alternative. Ensure that the voltage source supplies enough current for the expected load levels, considering the device efficiency.

Use the following steps to connect to a voltage source and voltmeter:

1. Connect the negative terminal (–) of the voltage source to the PGNDP terminal of the power input connector (P2) on the left side of the evaluation board.
2. Connect the positive terminal (+) of the voltage source to the VINP terminal of the power input connector (P2) on the left side of the evaluation board.
3. Connect a voltmeter across the VINP input terminal at TP10, and connect PGNDP at TP3 to monitor the actual input voltage supplied to the ADP1032.
4. Connect a load between the VOUT1 or VOUT2 terminal and the SGND2 terminal at the output connector (P3) on the right side of the evaluation board.
5. Connect the voltmeter across the selected output terminal and ground in parallel with the load resistor.

Turn on the voltage source for VINP. If the EN jumper is in Pin 2 and Pin 3, the regulator powers up.

If the load current is large, the user needs to connect the voltmeter as close as possible to the output capacitor to reduce the effects of the voltage drops across the resistor (IR).

If long power leads are used from the power supply, especially at higher loads, it is recommended to connect a large capacitor (100 μF or more) across the VINP terminals to prevent losses from lead inductance. Likewise, adjust the power supply output voltage to ensure that the supply voltage measured at VINP test point TP10 is within the user specified target range. A power supply with a 4-wire supply and sense arrangement can be used as an alternative to manually adjust the supply voltage to be within the user specified range.

LINE REGULATION

For line regulation measurements, the output of the regulator is monitored while its input is varied. For optimal line regulation, the output must change as little as possible with varying input levels. This measurement can be repeated under different load conditions. During line regulation tests, ensure that the leads to the power supply are short and remove any additional input capacitor. Figure 7 shows the typical line regulation performance of the ADP1032 flyback regulator output.

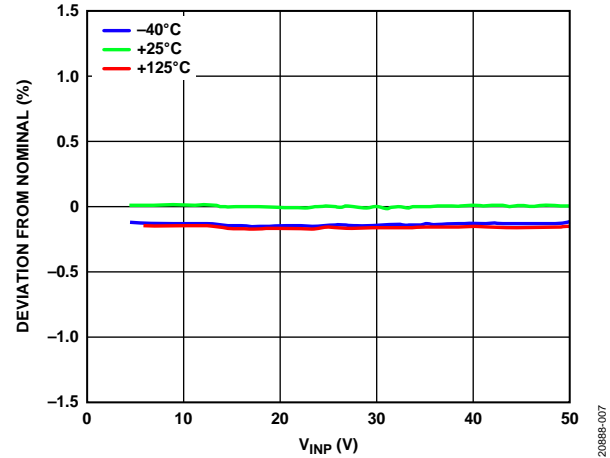


Figure 7. Flyback Regulator Line Regulation, $V_{OUT1} = 24\text{ V}$, 80 mA Load, $T_A = 25^\circ\text{C}$, Nominal Condition: $V_{OUT1} = 24\text{ V}$ with Input Voltage ($V_{INP} = 24\text{ V}$)

LOAD REGULATION

For load regulation measurements, monitor the regulator output while the load is varied. For optimal load regulation, the output must change as little as possible with varying loads. The input voltage must be held constant during this measurement. Figure 8 and Figure 9 show the typical load regulation performance of the ADP1032 at the flyback regulator output and buck regulator output, respectively. Keep power leads short during this test and ensure that the supply voltage is constant under all load conditions or use a power supply with remote sense.

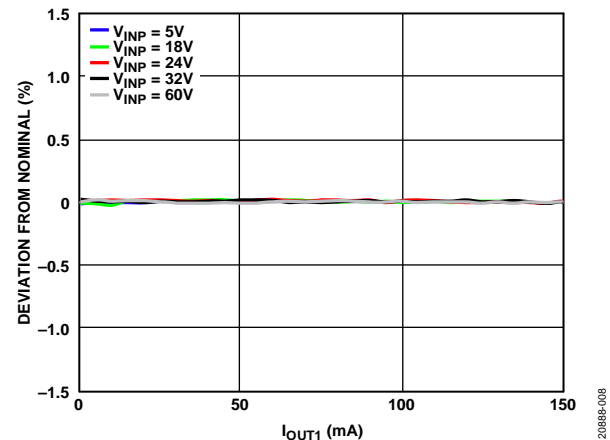


Figure 8. Flyback Regulator Load Regulation over Various V_{INP} , Using Adjustable Version, $V_{OUT1} = 24\text{ V}$, $V_{OUT2} = 3.3\text{ V}$, Buck Regulator Output Current ($I_{OUT2} = 0\text{ mA}$, $T_A = 25^\circ\text{C}$, Nominal Condition: V_{OUT1} at 20 mA Load)

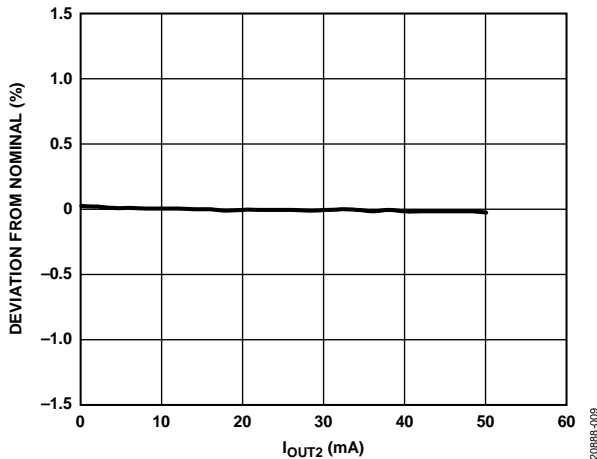


Figure 9. Buck Regulator Load Regulation, $V_{OUT1} = 24\text{ V}$, $V_{OUT2} = 3.3\text{ V}$, $T_A = 25^\circ\text{C}$, Nominal Condition: V_{OUT2} at 10 mA Load

EFFICIENCY

For efficiency measurements, monitor the regulator input supply and output voltages while the load is varied. Keep power leads short during this test and use a power supply with remote sense. Connect ammeters in series with the input supply and the loads. Connect voltmeters to the test points provided for the input and output of the regulators. For the highest possible efficiency results, measure the voltage across the input and output capacitors. If possible, particularly at a low current, trigger the meters simultaneously and set to average readings for a period of a few hundred milliseconds or more. Figure 10 shows a typical overall efficiency curve for the ADP1032 with varying output load on the flyback regulator and a constant load on the buck regulator.

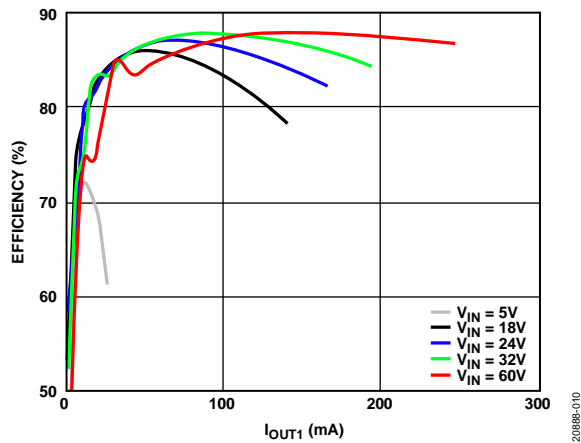


Figure 10. ADP1032 Overall Efficiency with Various Input Voltages, $V_{OUT1} = 24\text{ V}$, $V_{OUT2} = 3.3\text{ V}$, $I_{OUT2} = 30\text{ mA}$, $T_A = 25^\circ\text{C}$

TRANSFORMER CONFIGURATIONS

The ADP1032CP-x-EVALZ is designed to accommodate two transformers: the Coilcraft ZA9644-AE as T2 and the Würth Elektronik 750317986 as T1. These transformers are chosen due to their smaller size and performance. See the ADP1032 data sheet for the size and efficiency performance comparisons. When ZA9644-AE (T2) is used, do not connect any solder link (SLx) as shown in Figure 1. When the 750317986 (T1) is used, connect solder links SL2, SL4, and SL6. Refer to Figure 11 if the 750317986 (T1) transformer is used.



Figure 11. Solder Link Connections when Using T1

EVALUATION BOARD SCHEMATIC AND ARTWORK

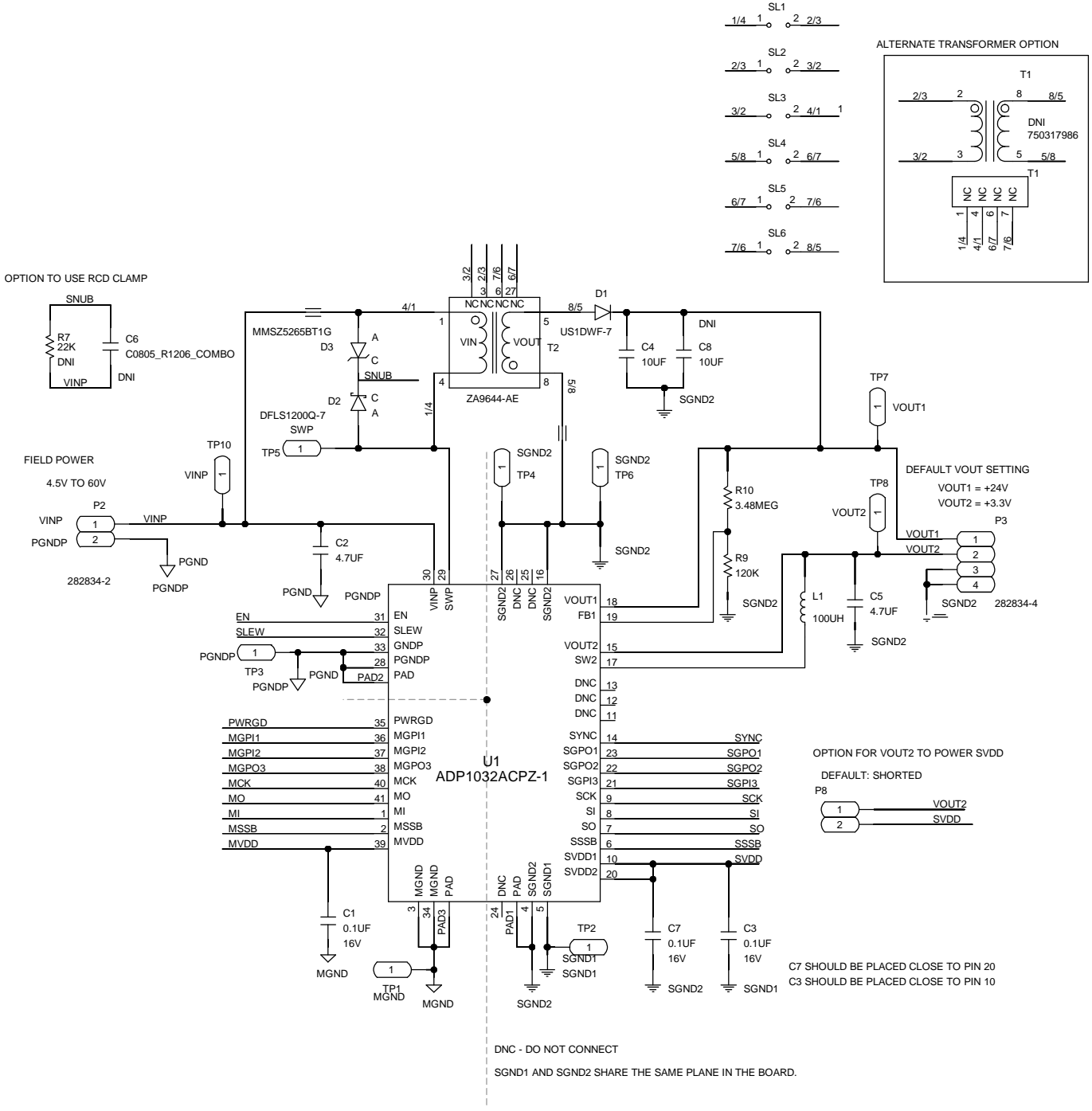


Figure 12. ADP1032CP-x-EVALZ Schematic

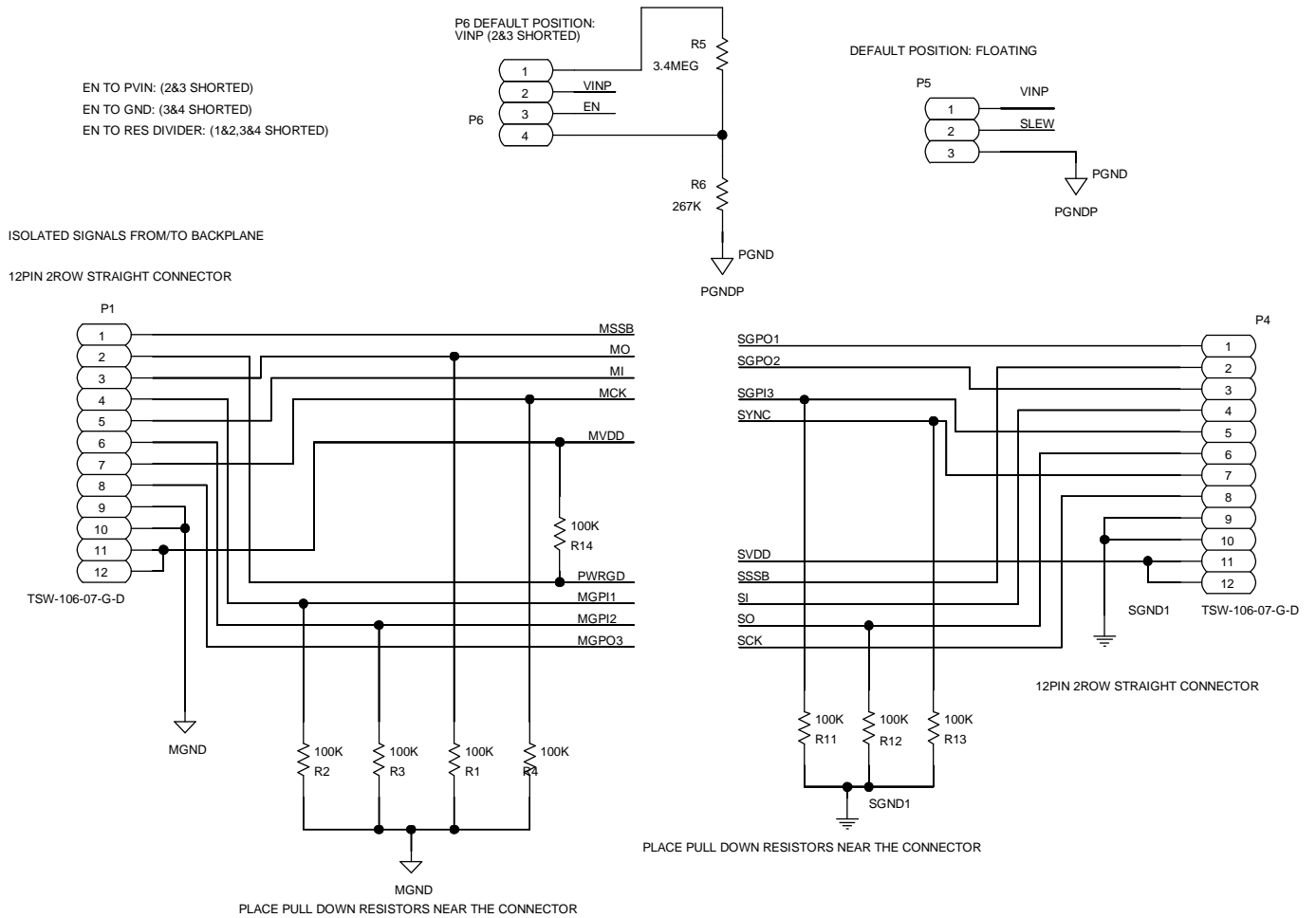


Figure 13. ADP1032CP-x-EVALZ Schematic, Connectors and Peripherals

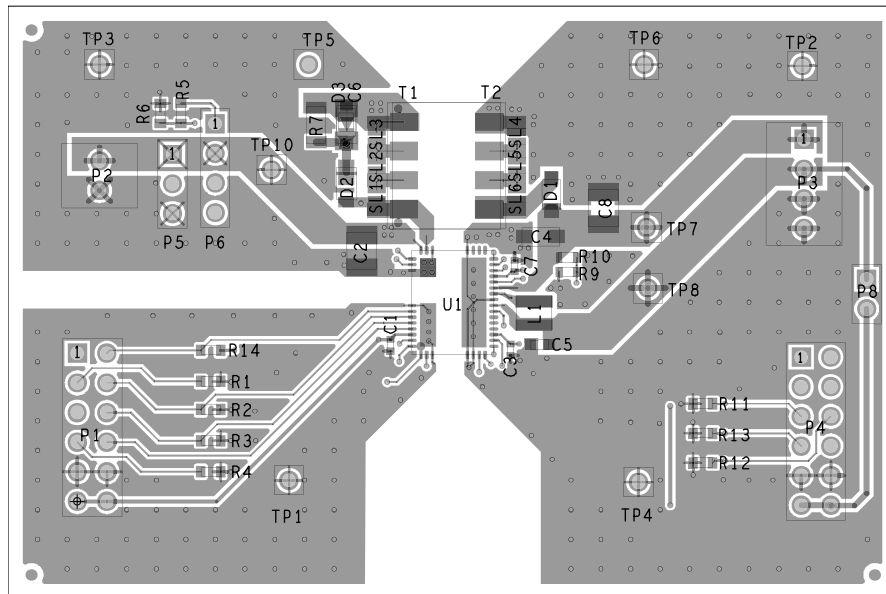
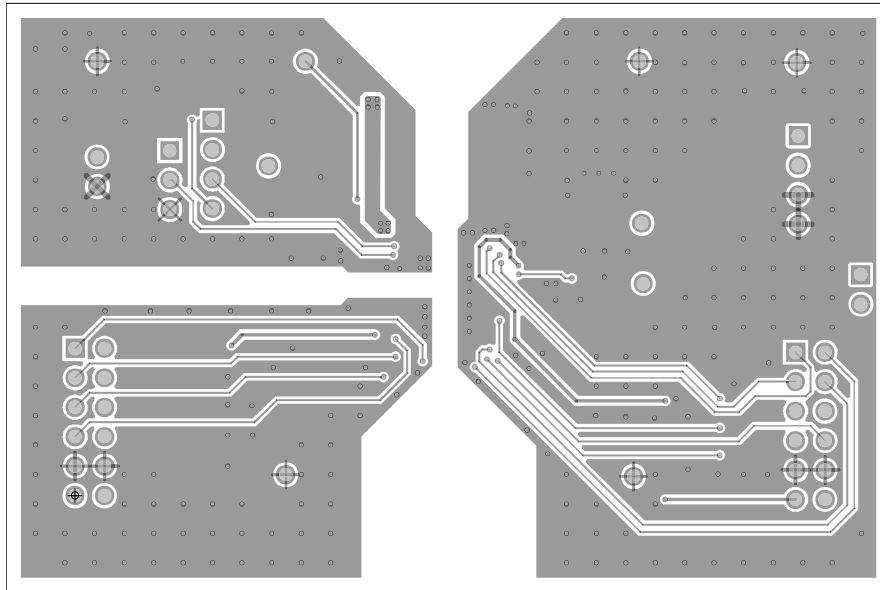
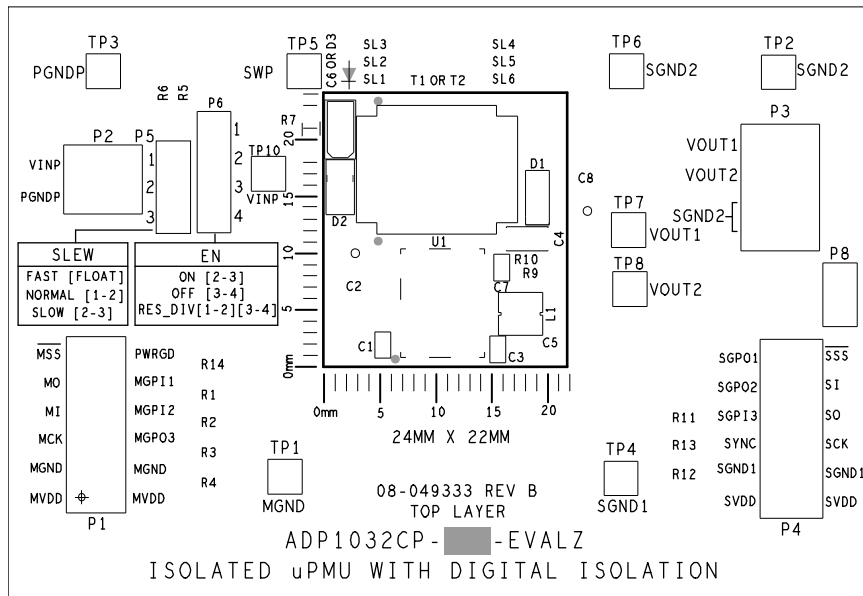


Figure 14. ADP1032CP-x-EVALZ Top Layer



20885-014

Figure 15. ADP1032CP-x-EVALZ Bottom Layer



20885-015

Figure 16. ADP1032CP-x-EVALZ Silkscreen (Top)

ORDERING INFORMATION

BILL OF MATERIALS

Table 2.

Quantity	Reference Designator	Description	Manufacturer/Part Number
3	C1, C3, C7	Capacitors multilayer ceramic capacitor (MLCC), 0.1 μ F, 16 V, 0402, X7R	Determined by the user
1	C2	Capacitor MLCC, 4.7 μ F, 100 V, 1210, X7S	Murata/GCM32DC72A475KE02L
1	C4	Capacitor MLCC, 10 μ F, 50 V, 1206, X7R	Samsung/CL31B106KBHNNNE
1	C5	Capacitor MLCC, 4.7 μ F, 10 V, 0603, X7S	TDK/C1608X7S1A475K080AC
1	D1	Diode, ultrafast rectifier, 1 A, 200 V, SMD	Diodes Incorporated/US1DWF-7
1	D2	Diode, Schottky rectifier, 1 A, 200 V, SMD	Diodes Incorporated/DFLS1200Q-7
1	D3	Diode, Zener voltage regulator, 62 V, 0.5 W	On Semiconductor/MMSZ5265BT1G
1	L1	Inductor, shielded, 100 μ H, 0.39 A	Coilcraft/XFL3012-104MEB
2	P1, P4	Headers, 12-pin	Samtec/TSW-106-07-G-D
1	P2	Terminal block, 2-pin	TE Connectivity/282834-2
1	P3	Terminal block, 4-pin	TE Connectivity/282834-4
1	P5	Header, 3-pin	Samtec/TSW-103-07-F-S
1	P6	Header, 4-pin	Samtec/TSW-104-07-G-S
9	TP1 to TP8, TP10	Headers, 1-pin	Samtec/TSW-101-07-G-S
1	P8	Header, 2-pin	Samtec/TSW-101-07-G-D
8	R1 to R4, R11 to R14	Resistors, 100 k Ω , 1/10 W, 1%, 0603, SMD	Determined by the user
1	R5	Resistor, 3.4 M Ω , 1/10 W, 1%, 0603, SMD	Determined by the user
1	R6	Resistor, 267 k Ω , 1/10 W, 1%, 0603, SMD	Determined by the user
1	R9	Resistor, 120 k Ω , 1/10 W, 1%, 0603, SMD	Determined by the user
1	R10	Resistor, 3.48 M Ω , 1/10 W, 1%, 0603, SMD	Determined by the user
1	T2	Transformer, 1:1 turn ratio, 470 μ H	Coilcraft/ZA9644-AE
1	U1	Two-channel isolated μ PMU with 7-channel digital isolators	Analog Devices/ADP1032

**ESD Caution**

ESD (electrostatic discharge) sensitive device. Charged devices and circuit boards can discharge without detection. Although this product features patented or proprietary protection circuitry, damage may occur on devices subjected to high energy ESD. Therefore, proper ESD precautions should be taken to avoid performance degradation or loss of functionality.

Legal Terms and Conditions

By using the evaluation board discussed herein (together with any tools, components documentation or support materials, the "Evaluation Board"), you are agreeing to be bound by the terms and conditions set forth below ("Agreement") unless you have purchased the Evaluation Board, in which case the Analog Devices Standard Terms and Conditions of Sale shall govern. Do not use the Evaluation Board until you have read and agreed to the Agreement. Your use of the Evaluation Board shall signify your acceptance of the Agreement. This Agreement is made by and between you ("Customer") and Analog Devices, Inc. ("ADI"), with its principal place of business at One Technology Way, Norwood, MA 02062, USA. Subject to the terms and conditions of the Agreement, ADI hereby grants to Customer a free, limited, personal, temporary, non-exclusive, non-sublicensable, non-transferable license to use the Evaluation Board FOR EVALUATION PURPOSES ONLY. Customer understands and agrees that the Evaluation Board is provided for the sole and exclusive purpose referenced above, and agrees not to use the Evaluation Board for any other purpose. Furthermore, the license granted is expressly made subject to the following additional limitations: Customer shall not (i) rent, lease, display, sell, transfer, assign, sublicense, or distribute the Evaluation Board; and (ii) permit any Third Party to access the Evaluation Board. As used herein, the term "Third Party" includes any entity other than ADI, Customer, their employees, affiliates and in-house consultants. The Evaluation Board is NOT sold to Customer; all rights not expressly granted herein, including ownership of the Evaluation Board, are reserved by ADI. CONFIDENTIALITY. This Agreement and the Evaluation Board shall all be considered the confidential and proprietary information of ADI. Customer may not disclose or transfer any portion of the Evaluation Board to any other party for any reason. Upon discontinuation of use of the Evaluation Board or termination of this Agreement, Customer agrees to promptly return the Evaluation Board to ADI. ADDITIONAL RESTRICTIONS. Customer may not disassemble, decompile or reverse engineer chips on the Evaluation Board. Customer shall inform ADI of any occurred damages or any modifications or alterations it makes to the Evaluation Board, including but not limited to soldering or any other activity that affects the material content of the Evaluation Board. Modifications to the Evaluation Board must comply with applicable law, including but not limited to the RoHS Directive. TERMINATION. ADI may terminate this Agreement at any time upon giving written notice to Customer. Customer agrees to return to ADI the Evaluation Board at that time. LIMITATION OF LIABILITY. THE EVALUATION BOARD PROVIDED HEREUNDER IS PROVIDED "AS IS" AND ADI MAKES NO WARRANTIES OR REPRESENTATIONS OF ANY KIND WITH RESPECT TO IT. ADI SPECIFICALLY DISCLAIMS ANY REPRESENTATIONS, ENDORSEMENTS, GUARANTEES, OR WARRANTIES, EXPRESS OR IMPLIED, RELATED TO THE EVALUATION BOARD INCLUDING, BUT NOT LIMITED TO, THE IMPLIED WARRANTY OF MERCHANTABILITY, TITLE, FITNESS FOR A PARTICULAR PURPOSE OR NON-INFRINGEMENT OF INTELLECTUAL PROPERTY RIGHTS. IN NO EVENT WILL ADI AND ITS LICENSORS BE LIABLE FOR ANY INCIDENTAL, SPECIAL, INDIRECT, OR CONSEQUENTIAL DAMAGES RESULTING FROM CUSTOMER'S POSSESSION OR USE OF THE EVALUATION BOARD, INCLUDING BUT NOT LIMITED TO LOST PROFITS, DELAY COSTS, LABOR COSTS OR LOSS OF GOODWILL. ADI'S TOTAL LIABILITY FROM ANY AND ALL CAUSES SHALL BE LIMITED TO THE AMOUNT OF ONE HUNDRED US DOLLARS (\$100.00). EXPORT. Customer agrees that it will not directly or indirectly export the Evaluation Board to another country, and that it will comply with all applicable United States federal laws and regulations relating to exports. GOVERNING LAW. This Agreement shall be governed by and construed in accordance with the substantive laws of the Commonwealth of Massachusetts (excluding conflict of law rules). Any legal action regarding this Agreement will be heard in the state or federal courts having jurisdiction in Suffolk County, Massachusetts, and Customer hereby submits to the personal jurisdiction and venue of such courts. The United Nations Convention on Contracts for the International Sale of Goods shall not apply to this Agreement and is expressly disclaimed.