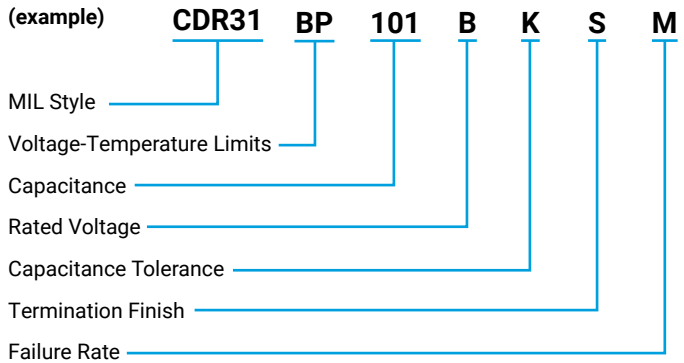


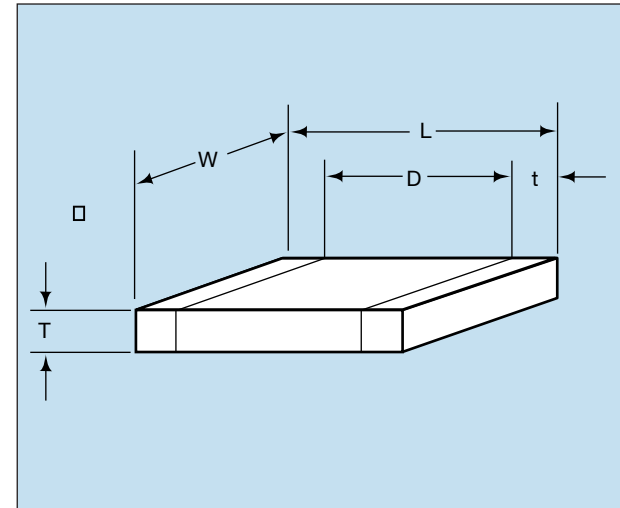
Part Number Example CDR31 thru CDR35

MILITARY DESIGNATION PER MIL-PRF-55681

Part Number Example



NOTE: Contact factory for availability of Termination and Tolerance Options for Specific Part Numbers.



MIL Style: CDR31, CDR32, CDR33, CDR34, CDR35

Voltage-Temperature Limits:

BP = 0 ± 30 ppm/ $^{\circ}\text{C}$ without voltage; 0 ± 30 ppm/ $^{\circ}\text{C}$ with rated voltage from -55°C to $+125^{\circ}\text{C}$

BX = $\pm 15\%$ without voltage; $+15 - 25\%$ with rated voltage from -55°C to $+125^{\circ}\text{C}$

Capacitance: Two digit figures followed by multiplier (number of zeros to be added) e.g., 101 = 100 pF

Rated Voltage: A = 50V, B = 100V

Capacitance Tolerance: B $\pm .10$ pF, C $\pm .25$ pF, D $\pm .5$ pF, F $\pm 1\%$, J $\pm 5\%$, K $\pm 10\%$, M $\pm 20\%$

Termination Finish:

- M = Palladium silver
- N = Silver-nickel-gold
- S = Solder coated final with a minimum of 4 percent lead
- T = Silver
- U = Base metallization-barrier metal-solder coated (tin/lead alloy, with a minimum of 4 percent lead)
- W = Base metallization-barrier metal-tinned (tin or tin/lead alloy)
- Y = Base metallization-barrier metal-tin (100 percent)
- Z = Base metallization-barrier metal-tinned (tin/lead alloy, with a minimum of 4 percent lead)

*See MIL-PRF-55681 Specification for more details

Failure Rate Level: M = 1.0%, P = .1%, R = .01%, S = .001%

Packaging: Bulk is standard packaging. Tape and reel per RS481 is available upon request.

***Not RoHS Compliant**

CROSS REFERENCE: MIL-PRF-55681/CDR31 THRU CDR35

| Per MIL-PRF-55681 | Style | Length (L) (mm) | Width (W) (mm) | Thickness (T) | | Termination Band (t) | |
|-------------------|-------|--------------------|-------------------|---------------|-----------|----------------------|-----------|
| | | | | Max. (mm) | Max. (mm) | Min. (mm) | Max. (mm) |
| CDR31 | 0805 | 2.00 | 1.25 | 1.3 | .50 | .70 | .30 |
| CDR32 | 1206 | 3.20 | 1.60 | 1.3 | — | .70 | .30 |
| CDR33 | 1210 | 3.20 | 2.50 | 1.5 | — | .70 | .30 |
| CDR34 | 1812 | 4.50 | 3.20 | 1.5 | — | .70 | .30 |
| CDR35 | 1825 | 4.50 | 6.40 | 1.5 | — | .70 | .30 |

CDR31 to MIL-PRF-55681/7

| Military Type Designation 1 / | Capacitance in pF | Capacitance tolerance | Rated temperature and voltage-temperature limits | WVDC |
|-------------------------------|-------------------|-----------------------|--|------|
| Style 0805/CDR31 (BP) | | | | |
| CDR31BP1R0B-- | 1.0 | B,C | BP | 100 |
| CDR31BP1R1B-- | 1.1 | B,C | BP | 100 |
| CDR31BP1R2B-- | 1.2 | B,C | BP | 100 |
| CDR31BP1R3B-- | 1.3 | B,C | BP | 100 |
| CDR31BP1R5B-- | 1.5 | B,C | BP | 100 |
| CDR31BP1R6B-- | 1.6 | B,C | BP | 100 |
| CDR31BP1R8B-- | 1.8 | B,C | BP | 100 |
| CDR31BP2R0B-- | 2.0 | B,C | BP | 100 |
| CDR31BP2R2B-- | 2.2 | B,C | BP | 100 |
| CDR31BP2R4B-- | 2.4 | B,C | BP | 100 |
| CDR31BP2R7B-- | 2.7 | B,C,D | BP | 100 |
| CDR31BP3R0B-- | 3.0 | B,C,D | BP | 100 |
| CDR31BP3R3B-- | 3.3 | B,C,D | BP | 100 |
| CDR31BP3R6B-- | 3.6 | B,C,D | BP | 100 |
| CDR31BP3R9B-- | 3.9 | B,C,D | BP | 100 |
| CDR31BP4R3B-- | 4.3 | B,C,D | BP | 100 |
| CDR31BP4R7B-- | 4.7 | B,C,D | BP | 100 |
| CDR31BP5R1B-- | 5.1 | B,C,D | BP | 100 |
| CDR31BP5R6B-- | 5.6 | B,C,D | BP | 100 |
| CDR31BP6R2B-- | 6.2 | B,C,D | BP | 100 |
| CDR31BP6R8B-- | 6.8 | B,C,D | BP | 100 |
| CDR31BP7R5B-- | 7.5 | B,C,D | BP | 100 |
| CDR31BP8R2B-- | 8.2 | B,C,D | BP | 100 |
| CDR31BP9R1B-- | 9.1 | B,C,D | BP | 100 |
| CDR31BP100B-- | 10 | F,J,K | BP | 100 |
| CDR31BP110B-- | 11 | F,J,K | BP | 100 |
| CDR31BP120B-- | 12 | F,J,K | BP | 100 |
| CDR31BP130B-- | 13 | F,J,K | BP | 100 |
| CDR31BP150B-- | 15 | F,J,K | BP | 100 |
| CDR31BP160B-- | 16 | F,J,K | BP | 100 |
| CDR31BP180B-- | 18 | F,J,K | BP | 100 |
| CDR31BP200B-- | 20 | F,J,K | BP | 100 |
| CDR31BP220B-- | 22 | F,J,K | BP | 100 |
| CDR31BP240B-- | 24 | F,J,K | BP | 100 |
| CDR31BP270B-- | 27 | F,J,K | BP | 100 |
| CDR31BP300B-- | 30 | F,J,K | BP | 100 |
| CDR31BP330B-- | 33 | F,J,K | BP | 100 |
| CDR31BP360B-- | 36 | F,J,K | BP | 100 |
| CDR31BP390B-- | 39 | F,J,K | BP | 100 |
| CDR31BP430B-- | 43 | F,J,K | BP | 100 |
| CDR31BP470B-- | 47 | F,J,K | BP | 100 |
| CDR31BP510B-- | 51 | F,J,K | BP | 100 |
| CDR31BP560B-- | 56 | F,J,K | BP | 100 |
| CDR31BP620B-- | 62 | F,J,K | BP | 100 |
| CDR31BP680B-- | 68 | F,J,K | BP | 100 |
| CDR31BP750B-- | 75 | F,J,K | BP | 100 |
| CDR31BP820B-- | 82 | F,J,K | BP | 100 |
| CDR31BP910B-- | 91 | F,J,K | BP | 100 |

- Add appropriate failure rate
- Add appropriate termination finish
- Capacitance Tolerance

| Military Type Designation 1 / | Capacitance in pF | Capacitance tolerance | Rated temperature and voltage-temperature limits | WVDC |
|-------------------------------------|-------------------|-----------------------|--|------|
| Style 0805/CDR31 (BP) cont'd | | | | |
| CDR31BP101B-- | 100 | F,J,K | BP | 100 |
| CDR31BP111B-- | 110 | F,J,K | BP | 100 |
| CDR31BP121B-- | 120 | F,J,K | BP | 100 |
| CDR31BP131B-- | 130 | F,J,K | BP | 100 |
| CDR31BP151B-- | 150 | F,J,K | BP | 100 |
| CDR31BP161B-- | 160 | F,J,K | BP | 100 |
| CDR31BP181B-- | 180 | F,J,K | BP | 100 |
| CDR31BP201B-- | 200 | F,J,K | BP | 100 |
| CDR31BP221B-- | 220 | F,J,K | BP | 100 |
| CDR31BP241B-- | 240 | F,J,K | BP | 100 |
| CDR31BP271B-- | 270 | F,J,K | BP | 100 |
| CDR31BP301B-- | 300 | F,J,K | BP | 100 |
| CDR31BP331B-- | 330 | F,J,K | BP | 100 |
| CDR31BP361B-- | 360 | F,J,K | BP | 100 |
| CDR31BP391B-- | 390 | F,J,K | BP | 100 |
| CDR31BP431B-- | 430 | F,J,K | BP | 100 |
| CDR31BP471B-- | 470 | F,J,K | BP | 100 |
| CDR31BP511A-- | 510 | F,J,K | BP | 50 |
| CDR31BP561A-- | 560 | F,J,K | BP | 50 |
| CDR31BP621A-- | 620 | F,J,K | BP | 50 |
| CDR31BP681A-- | 680 | F,J,K | BP | 50 |
| Style 0805/CDR31 (BX) | | | | |
| CDR31BX471B-- | 470 | K,M | BX | 100 |
| CDR31BX561B-- | 560 | K,M | BX | 100 |
| CDR31BX681B-- | 680 | K,M | BX | 100 |
| CDR31BX821B-- | 820 | K,M | BX | 100 |
| CDR31BX102B-- | 1,000 | K,M | BX | 100 |
| CDR31BX122B-- | 1,200 | K,M | BX | 100 |
| CDR31BX152B-- | 1,500 | K,M | BX | 100 |
| CDR31BX182B-- | 1,800 | K,M | BX | 100 |
| CDR31BX222B-- | 2,200 | K,M | BX | 100 |
| CDR31BX272B-- | 2,700 | K,M | BX | 100 |
| CDR31BX332B-- | 3,300 | K,M | BX | 100 |
| CDR31BX392B-- | 3,900 | K,M | BX | 100 |
| CDR31BX472B-- | 4,700 | K,M | BX | 100 |
| CDR31BX562A-- | 5,600 | K,M | BX | 50 |
| CDR31BX682A-- | 6,800 | K,M | BX | 50 |
| CDR31BX822A-- | 8,200 | K,M | BX | 50 |
| CDR31BX103A-- | 10,000 | K,M | BX | 50 |
| CDR31BX123A-- | 12,000 | K,M | BX | 50 |
| CDR31BX153A-- | 15,000 | K,M | BX | 50 |
| CDR31BX183A-- | 18,000 | K,M | BX | 50 |

- Add appropriate failure rate
- Add appropriate termination finish
- Capacitance Tolerance

1/ The complete part number will include additional symbols to indicate capacitance tolerance, termination and failure rate level.

CDR32 to MIL-PRF-55681/8

| Military Type Designation 1 / | Capacitance in pF | Capacitance Tolerance | Rated temperature and Voltage-Temperature Limits | WVDC |
|-------------------------------|-------------------|-----------------------|--|------|
| Style 1206/CDR32 (BP) | | | | |
| CDR32BP1R0B-- | 1.0 | B,C | BP | 100 |
| CDR32BP1R1B-- | 1.1 | B,C | BP | 100 |
| CDR32BP1R2B-- | 1.2 | B,C | BP | 100 |
| CDR32BP1R3B-- | 1.3 | B,C | BP | 100 |
| CDR32BP1R5B-- | 1.5 | B,C | BP | 100 |
| CDR32BP1R6B-- | 1.6 | B,C | BP | 100 |
| CDR32BP1R8B-- | 1.8 | B,C | BP | 100 |
| CDR32BP2R0B-- | 2.0 | B,C | BP | 100 |
| CDR32BP2R2B-- | 2.2 | B,C | BP | 100 |
| CDR32BP2R4B-- | 2.4 | B,C | BP | 100 |
| CDR32BP2R7B-- | 2.7 | B,C,D | BP | 100 |
| CDR32BP3R0B-- | 3.0 | B,C,D | BP | 100 |
| CDR32BP3R3B-- | 3.3 | B,C,D | BP | 100 |
| CDR32BP3R6B-- | 3.6 | B,C,D | BP | 100 |
| CDR32BP3R9B-- | 3.9 | B,C,D | BP | 100 |
| CDR32BP4R3B-- | 4.3 | B,C,D | BP | 100 |
| CDR32BP4R7B-- | 4.7 | B,C,D | BP | 100 |
| CDR32BP5R1B-- | 5.1 | B,C,D | BP | 100 |
| CDR32BP5R6B-- | 5.6 | B,C,D | BP | 100 |
| CDR32BP6R2B-- | 6.2 | B,C,D | BP | 100 |
| CDR32BP6R8B-- | 6.8 | B,C,D | BP | 100 |
| CDR32BP7R5B-- | 7.5 | B,C,D | BP | 100 |
| CDR32BP8R2B-- | 8.2 | B,C,D | BP | 100 |
| CDR32BP9R1B-- | 9.1 | B,C,D | BP | 100 |
| CDR32BP100B-- | 10 | F,J,K | BP | 100 |
| CDR32BP110B-- | 11 | F,J,K | BP | 100 |
| CDR32BP120B-- | 12 | F,J,K | BP | 100 |
| CDR32BP130B-- | 13 | F,J,K | BP | 100 |
| CDR32BP150B-- | 15 | F,J,K | BP | 100 |
| CDR32BP160B-- | 16 | F,J,K | BP | 100 |
| CDR32BP180B-- | 18 | F,J,K | BP | 100 |
| CDR32BP200B-- | 20 | F,J,K | BP | 100 |
| CDR32BP220B-- | 22 | F,J,K | BP | 100 |
| CDR32BP240B-- | 24 | F,J,K | BP | 100 |
| CDR32BP270B-- | 27 | F,J,K | BP | 100 |
| CDR32BP300B-- | 30 | F,J,K | BP | 100 |
| CDR32BP330B-- | 33 | F,J,K | BP | 100 |
| CDR32BP360B-- | 36 | F,J,K | BP | 100 |
| CDR32BP390B-- | 39 | F,J,K | BP | 100 |
| CDR32BP430B-- | 43 | F,J,K | BP | 100 |
| CDR32BP470B-- | 47 | F,J,K | BP | 100 |
| CDR32BP510B-- | 51 | F,J,K | BP | 100 |
| CDR32BP560B-- | 56 | F,J,K | BP | 100 |
| CDR32BP620B-- | 62 | F,J,K | BP | 100 |
| CDR32BP680B-- | 68 | F,J,K | BP | 100 |
| CDR32BP750B-- | 75 | F,J,K | BP | 100 |
| CDR32BP820B-- | 82 | F,J,K | BP | 100 |
| CDR32BP910B-- | 91 | F,J,K | BP | 100 |

Add appropriate failure rate
 Add appropriate termination finish
 Capacitance Tolerance

| Military Type Designation 1 / | Capacitance in pF | Capacitance Tolerance | Rated Temperature and Voltage-Temperature Limits | WVDC |
|-------------------------------------|-------------------|-----------------------|--|------|
| Style 1206/CDR32 (BP) cont'd | | | | |
| CDR32BP101B-- | 100 | F,J,K | BP | 100 |
| CDR32BP111B-- | 110 | F,J,K | BP | 100 |
| CDR32BP121B-- | 120 | F,J,K | BP | 100 |
| CDR32BP131B-- | 130 | F,J,K | BP | 100 |
| CDR32BP151B-- | 150 | F,J,K | BP | 100 |
| CDR32BP161B-- | 160 | F,J,K | BP | 100 |
| CDR32BP181B-- | 180 | F,J,K | BP | 100 |
| CDR32BP201B-- | 200 | F,J,K | BP | 100 |
| CDR32BP221B-- | 220 | F,J,K | BP | 100 |
| CDR32BP241B-- | 240 | F,J,K | BP | 100 |
| CDR32BP271B-- | 270 | F,J,K | BP | 100 |
| CDR32BP301B-- | 300 | F,J,K | BP | 100 |
| CDR32BP331B-- | 330 | F,J,K | BP | 100 |
| CDR32BP361B-- | 360 | F,J,K | BP | 100 |
| CDR32BP391B-- | 390 | F,J,K | BP | 100 |
| CDR32BP431B-- | 430 | F,J,K | BP | 100 |
| CDR32BP471B-- | 470 | F,J,K | BP | 100 |
| CDR32BP511B-- | 510 | F,J,K | BP | 100 |
| CDR32BP561B-- | 560 | F,J,K | BP | 100 |
| CDR32BP621B-- | 620 | F,J,K | BP | 100 |
| CDR32BP681B-- | 680 | F,J,K | BP | 100 |
| CDR32BP751B-- | 750 | F,J,K | BP | 100 |
| CDR32BP821B-- | 820 | F,J,K | BP | 100 |
| CDR32BP911B-- | 910 | F,J,K | BP | 100 |
| CDR32BP102B-- | 1,000 | F,J,K | BP | 100 |
| CDR32BP112A-- | 1,100 | F,J,K | BP | 50 |
| CDR32BP122A-- | 1,200 | F,J,K | BP | 50 |
| CDR32BP132A-- | 1,300 | F,J,K | BP | 50 |
| CDR32BP152A-- | 1,500 | F,J,K | BP | 50 |
| CDR32BP162A-- | 1,600 | F,J,K | BP | 50 |
| CDR32BP182A-- | 1,800 | F,J,K | BP | 50 |
| CDR32BP202A-- | 2,000 | F,J,K | BP | 50 |
| CDR32BP222A-- | 2,200 | F,J,K | BP | 50 |
| Style 1206/CDR32 (BX) | | | | |
| CDR32BX472B-- | 4,700 | K,M | BX | 100 |
| CDR32BX562B-- | 5,600 | K,M | BX | 100 |
| CDR32BX682B-- | 6,800 | K,M | BX | 100 |
| CDR32BX822B-- | 8,200 | K,M | BX | 100 |
| CDR32BX103B-- | 10,000 | K,M | BX | 100 |
| CDR32BX123B-- | 12,000 | K,M | BX | 100 |
| CDR32BX153B-- | 15,000 | K,M | BX | 100 |
| CDR32BX183A-- | 18,000 | K,M | BX | 50 |
| CDR32BX223A-- | 22,000 | K,M | BX | 50 |
| CDR32BX273A-- | 27,000 | K,M | BX | 50 |
| CDR32BX333A-- | 33,000 | K,M | BX | 50 |
| CDR32BX393A-- | 39,000 | K,M | BX | 50 |

Add appropriate failure rate
 Add appropriate termination finish
 Capacitance Tolerance

1/ The complete part number will include additional symbols to indicate capacitance tolerance, termination and failure rate level.

CDR33/34/35 to MIL-PRF-55681/9/10/11

| Military Type Designation 1 / | Capacitance in pF | Capacitance tolerance | Rated temperature and voltage-temperature limits | WVDC |
|-------------------------------|-------------------|-----------------------|--|------|
| Style 1210/CDR33 (BP) | | | | |
| CDR33BP102B-- | 1,000 | F,J,K | BP | 100 |
| CDR33BP112B-- | 1,100 | F,J,K | BP | 100 |
| CDR33BP122B-- | 1,200 | F,J,K | BP | 100 |
| CDR33BP132B-- | 1,300 | F,J,K | BP | 100 |
| CDR33BP152B-- | 1,500 | F,J,K | BP | 100 |
| CDR33BP162B-- | 1,600 | F,J,K | BP | 100 |
| CDR33BP182B-- | 1,800 | F,J,K | BP | 100 |
| CDR33BP202B-- | 2,000 | F,J,K | BP | 100 |
| CDR33BP222B-- | 2,200 | F,J,K | BP | 100 |
| CDR33BP242A-- | 2,400 | F,J,K | BP | 50 |
| CDR33BP272A-- | 2,700 | F,J,K | BP | 50 |
| CDR33BP302A-- | 3,000 | F,J,K | BP | 50 |
| CDR33BP332A-- | 3,300 | F,J,K | BP | 50 |
| Style 1210/CDR33 (BX) | | | | |
| CDR33BX153B-- | 15,000 | K,M | BX | 100 |
| CDR33BX183B-- | 18,000 | K,M | BX | 100 |
| CDR33BX223B-- | 22,000 | K,M | BX | 100 |
| CDR33BX273B-- | 27,000 | K,M | BX | 100 |
| CDR33BX393A-- | 39,000 | K,M | BX | 50 |
| CDR33BX473A-- | 47,000 | K,M | BX | 50 |
| CDR33BX563A-- | 56,000 | K,M | BX | 50 |
| CDR33BX683A-- | 68,000 | K,M | BX | 50 |
| CDR33BX823A-- | 82,000 | K,M | BX | 50 |
| CDR33BX104A-- | 100,000 | K,M | BX | 50 |
| Style 1812/CDR34 (BP) | | | | |
| CDR34BP222B-- | 2,200 | F,J,K | BP | 100 |
| CDR34BP242B-- | 2,400 | F,J,K | BP | 100 |
| CDR34BP272B-- | 2,700 | F,J,K | BP | 100 |
| CDR34BP302B-- | 3,000 | F,J,K | BP | 100 |
| CDR34BP332B-- | 3,300 | F,J,K | BP | 100 |
| CDR34BP362B-- | 3,600 | F,J,K | BP | 100 |
| CDR34BP392B-- | 3,900 | F,J,K | BP | 100 |
| CDR34BP432B-- | 4,300 | F,J,K | BP | 100 |
| CDR34BP472B-- | 4,700 | F,J,K | BP | 100 |
| CDR34BP512A-- | 5,100 | F,J,K | BP | 50 |
| CDR34BP562A-- | 5,600 | F,J,K | BP | 50 |
| CDR34BP622A-- | 6,200 | F,J,K | BP | 50 |
| CDR34BP682A-- | 6,800 | F,J,K | BP | 50 |
| CDR34BP752A-- | 7,500 | F,J,K | BP | 50 |
| CDR34BP822A-- | 8,200 | F,J,K | BP | 50 |
| CDR34BP912A-- | 9,100 | F,J,K | BP | 50 |
| CDR34BP103A-- | 10,000 | F,J,K | BP | 50 |

- Add appropriate failure rate
- Add appropriate termination finish
- Capacitance Tolerance

| Military Type Designation 1 / | Capacitance in pF | Capacitance tolerance | Rated temperature and voltage-temperature limits | WVDC |
|-------------------------------|-------------------|-----------------------|--|------|
| Style 1812/CDR34 (BX) | | | | |
| CDR34BX273B-- | 27,000 | K,M | BX | 100 |
| CDR34BX333B-- | 33,000 | K,M | BX | 100 |
| CDR34BX393B-- | 39,000 | K,M | BX | 100 |
| CDR34BX473B-- | 47,000 | K,M | BX | 100 |
| CDR34BX563B-- | 56,000 | K,M | BX | 100 |
| CDR34BX104A-- | 100,000 | K,M | BX | 50 |
| CDR34BX124A-- | 120,000 | K,M | BX | 50 |
| CDR34BX154A-- | 150,000 | K,M | BX | 50 |
| CDR34BX184A-- | 180,000 | K,M | BX | 50 |
| Style 1825/CDR35 (BP) | | | | |
| CDR35BP472B-- | 4,700 | F,J,K | BP | 100 |
| CDR35BP512B-- | 5,100 | F,J,K | BP | 100 |
| CDR35BP562B-- | 5,600 | F,J,K | BP | 100 |
| CDR35BP622B-- | 6,200 | F,J,K | BP | 100 |
| CDR35BP682B-- | 6,800 | F,J,K | BP | 100 |
| CDR35BP752B-- | 7,500 | F,J,K | BP | 100 |
| CDR35BP822B-- | 8,200 | F,J,K | BP | 100 |
| CDR35BP912B-- | 9,100 | F,J,K | BP | 100 |
| CDR35BP103B-- | 10,000 | F,J,K | BP | 100 |
| CDR35BP113A-- | 11,000 | F,J,K | BP | 50 |
| CDR35BP123A-- | 12,000 | F,J,K | BP | 50 |
| CDR35BP133A-- | 13,000 | F,J,K | BP | 50 |
| CDR35BP153A-- | 15,000 | F,J,K | BP | 50 |
| CDR35BP163A-- | 16,000 | F,J,K | BP | 50 |
| CDR35BP183A-- | 18,000 | F,J,K | BP | 50 |
| CDR35BP203A-- | 20,000 | F,J,K | BP | 50 |
| CDR35BP223A-- | 22,000 | F,J,K | BP | 50 |
| Style 1825/CDR35 (BX) | | | | |
| CDR35BX563B-- | 56,000 | K,M | BX | 100 |
| CDR35BX683B-- | 68,000 | K,M | BX | 100 |
| CDR35BX823B-- | 82,000 | K,M | BX | 100 |
| CDR35BX104B-- | 100,000 | K,M | BX | 100 |
| CDR35BX124B-- | 120,000 | K,M | BX | 100 |
| CDR35BX154B-- | 150,000 | K,M | BX | 100 |
| CDR35BX184A-- | 180,000 | K,M | BX | 50 |
| CDR35BX224A-- | 220,000 | K,M | BX | 50 |
| CDR35BX274A-- | 270,000 | K,M | BX | 50 |
| CDR35BX334A-- | 330,000 | K,M | BX | 50 |
| CDR35BX394A-- | 390,000 | K,M | BX | 50 |
| CDR35BX474A-- | 470,000 | K,M | BX | 50 |

- Add appropriate failure rate
- Add appropriate termination finish
- Capacitance Tolerance

1/ The complete part number will include additional symbols to indicate capacitance tolerance, termination and failure rate level.