

# CKCL44JB1H472M085AA

TDK Item Description : CKCL44JB1H472MT\*\*\*\*

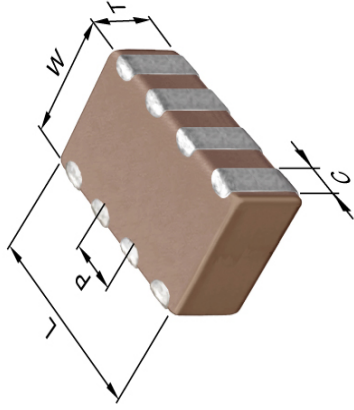


## Application & Main Feature

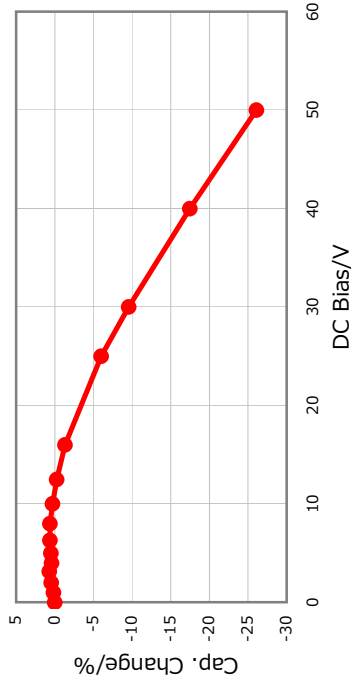
Commercial Grade ( 4 in 1 Array )

## Series

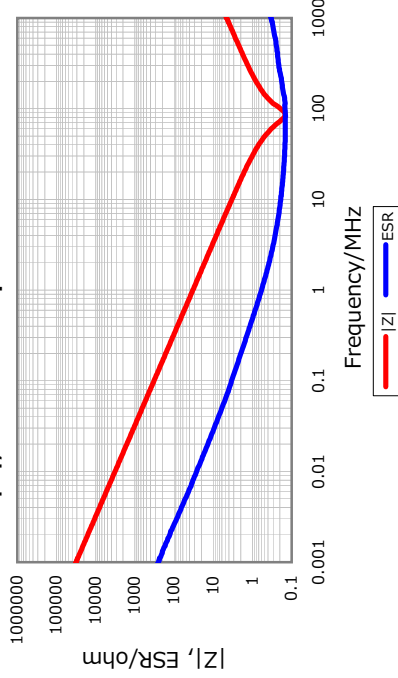
CKCL44(2012) [EIA CC0805]



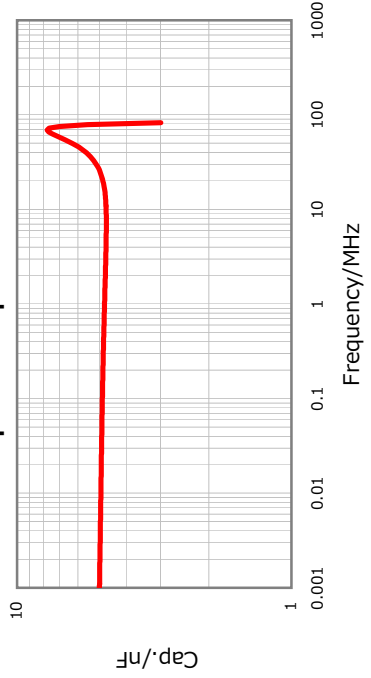
## DC Bias Characteristic



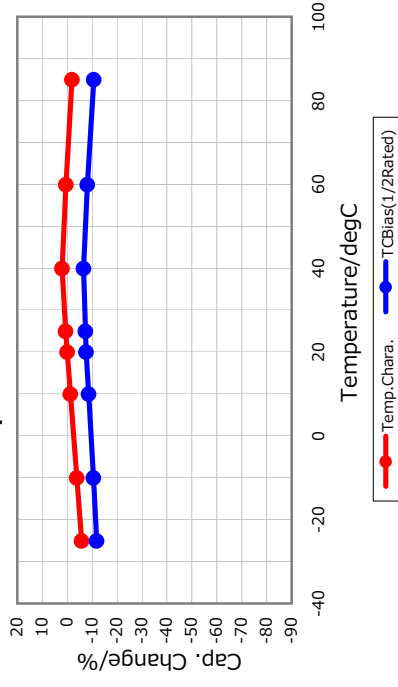
## |Z|, ESR vs. Freq. Characteristics



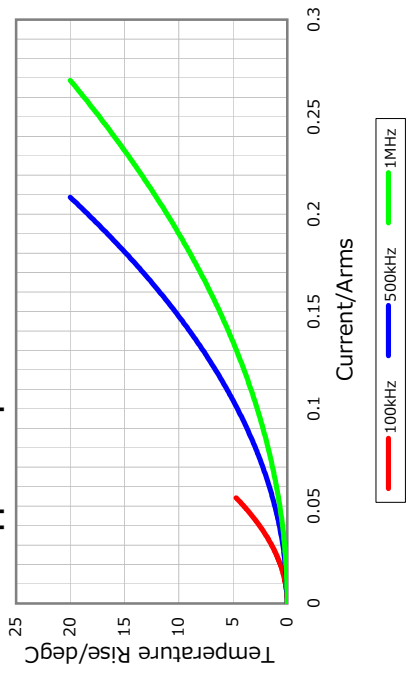
## Cap. vs. Freq. Characteristic



## Temperature Characteristics



## Ripple Temperature Rise Characteristics



## Dimensions

- L 2.00mm +/-0.15mm
- W 1.25mm +/-0.15mm
- T 0.85mm +/-0.15mm
- C 0.25mm Nom.
- P 0.50mm Nom.

## Temperature Characteristic

JB (-25 to 85 degC +/-10%)

## Rated Voltage

1H (50Vdc)

## Capacitance

4.7nF

## Capacitance Tolerance

M (+/-20%)

## Dissipation Factor

2.5% Max.

## Insulation Resistance

10Gohm Min.

## AEC-Q200

Not Applicable



All specifications are subject to change without notice.

January 4, 2016