

GaAs HEMT MMIC MEDIUM POWER AMPLIFIER, 71 - 76 GHz

Typical Applications

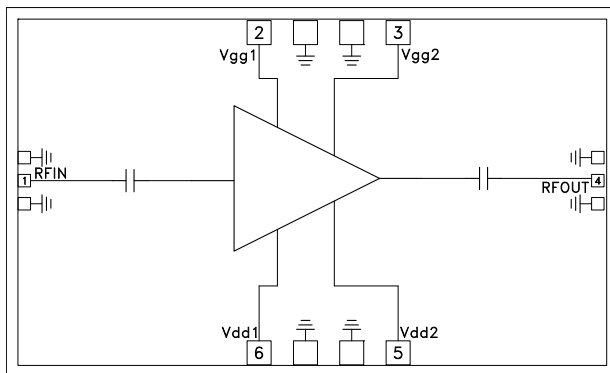
This HMC-AUH318 is ideal for:

- Short Haul / High Capacity Links
- Test & Measurement Equipment
- E-Band Communication Systems

Features

- Gain: 24 dB
- P1dB: +17.5 dBm
- Supply Voltage: +4V
- 50 Ohm Matched Input/Output
- Die Size: 2.65 x 1.60 x 0.05 mm

Functional Diagram



General Description

The HMC-AUH318 is a high dynamic range, three stage GaAs HEMT MMIC Medium Power Amplifier which operates between 71 and 76 GHz. The HMC-AUH318 provides 24 dB of gain, and an output power of +17.5 dBm at 1 dB compression from a +4V supply voltage. All bond pads and the die backside are Ti/Au metallized. The HMC-AUH318 GaAs HEMT MMIC Medium Power Amplifier is compatible with conventional die attach methods, as well as thermocompression and thermosonic wire bonding, making it ideal for MCM and hybrid microcircuit applications. All data shown herein is measured with the chip in a 50 Ohm environment and contacted with RF probes.

Electrical Specifications^[1], $T_A = +25^\circ\text{C}$, $V_{dd1} = V_{dd2} = 4\text{V}$, $I_{dd1} = I_{dd2} = 80\text{mA}$ ^[2]

| Parameter | Min. | Typ. | Max. | Units |
|--|------|---------|------|-------|
| Frequency Range | | 71 - 76 | | GHz |
| Gain | 21 | 24 | | dB |
| Input Return Loss | | 7 | | dB |
| Output Return Loss | | 4 | | dB |
| Output power for 1 dB Compression (P1dB) | | 17.5 | | dBm |
| Saturated Output Power (P _{sat}) | | 20 | | dBm |
| Supply Current (I _{dd1} +I _{dd2}) | | 160 | | mA |

[1] Unless otherwise indicated, all measurements are from probed die.

[2] Adjust V_{gg1}, V_{gg2} independently between -0.8V to +0.3V (typically -0.1V) to achieve drain currents of I_{dd1} = 80 mA and I_{dd2} = 80 mA.

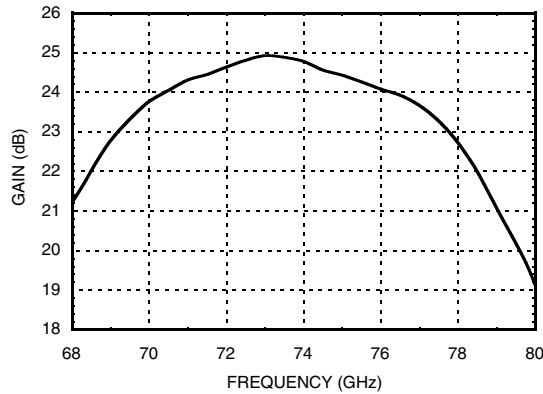
Products and product information are subject to change without notice.

Information furnished by Analog Devices is believed to be accurate and reliable. However, no responsibility is assumed by Analog Devices for its use, nor for any infringements of patents or other rights of third parties that may result from its use. Specifications subject to change without notice. No license is granted by implication or otherwise under any patent or patent rights of Analog Devices. Trademarks and registered trademarks are the property of their respective owners.

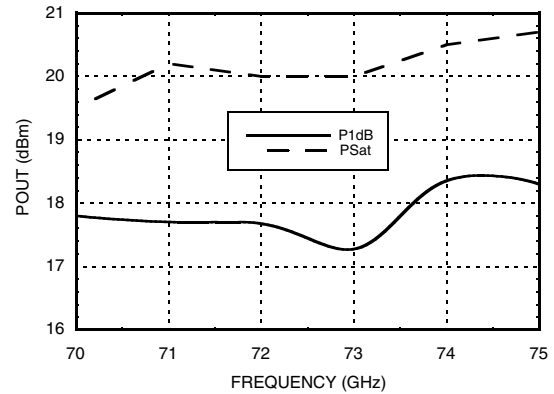
For price, delivery, and to place orders: Analog Devices, Inc., One Technology Way, P.O. Box 9106, Norwood, MA 02062-9106
 Phone: 781-329-4700 • Order online at www.analog.com
 Application Support: Phone: 1-800-ANALOG-D

**GaAs HEMT MMIC MEDIUM POWER
AMPLIFIER, 71 - 76 GHz**

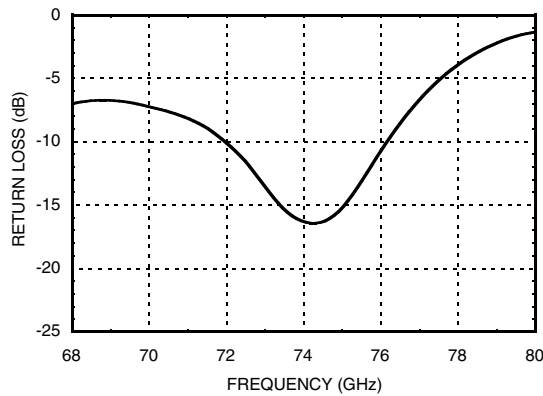
Linear Gain vs. Frequency



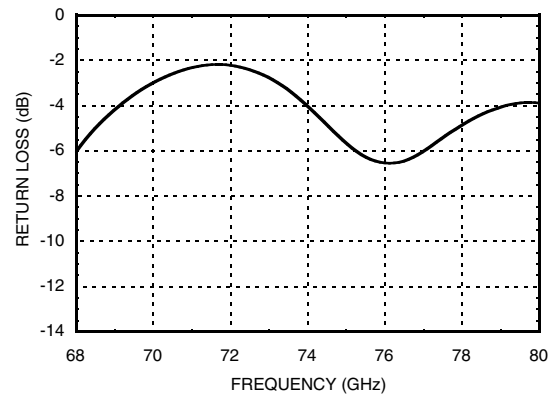
Fixtured Output Power vs. Frequency



Input Return Loss vs. Frequency



Output Return Loss vs. Frequency



Information furnished by Analog Devices is believed to be accurate and reliable. However, no responsibility is assumed by Analog Devices for its use, nor for any infringements of patents or other rights of third parties that may result from its use. Specifications subject to change without notice. No license is granted by implication or otherwise under any patent or patent rights of Analog Devices. Trademarks and registered trademarks are the property of their respective owners.

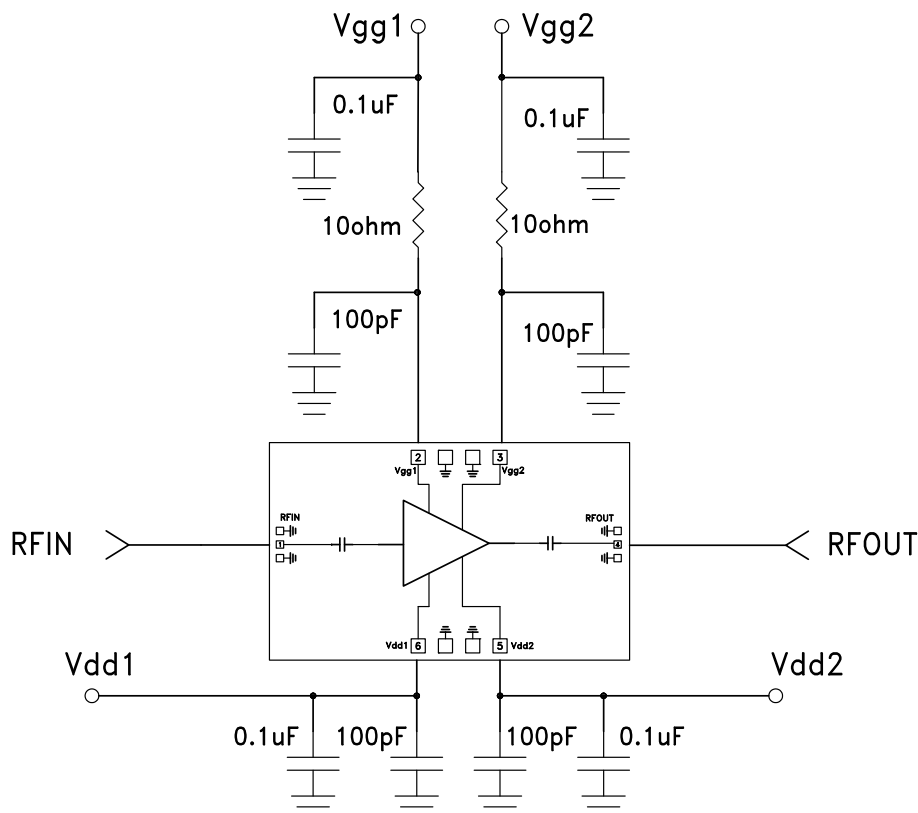
For price, delivery, and to place orders: Analog Devices, Inc., One Technology Way, P.O. Box 9106, Norwood, MA 02062-9106 Phone: 781-329-4700 • Order online at www.analog.com Application Support: Phone: 1-800-ANALOG-D

GaAs HEMT MMIC MEDIUM POWER AMPLIFIER, 71 - 76 GHz

Pad Descriptions

| Pad Number | Function | Description | Interface Schematic |
|------------|------------|---|---------------------|
| 1 | RFIN | This pad is AC coupled and matched to 50 Ohms. | |
| 2, 3 | Vgg1, Vgg2 | Gate control for amplifier. Please follow "MMIC Amplifier Biasing Procedure" application note. See assembly for required external components. | |
| 4 | RFOUT | This pad is AC coupled and matched to 50 Ohms. | |
| 5, 6 | Vdd1, Vdd2 | Power Supply Voltage for the amplifier. See assembly for required external components. | |
| Die Bottom | GND | Die bottom must be connected to RF/DC ground. | |

Application Circuit

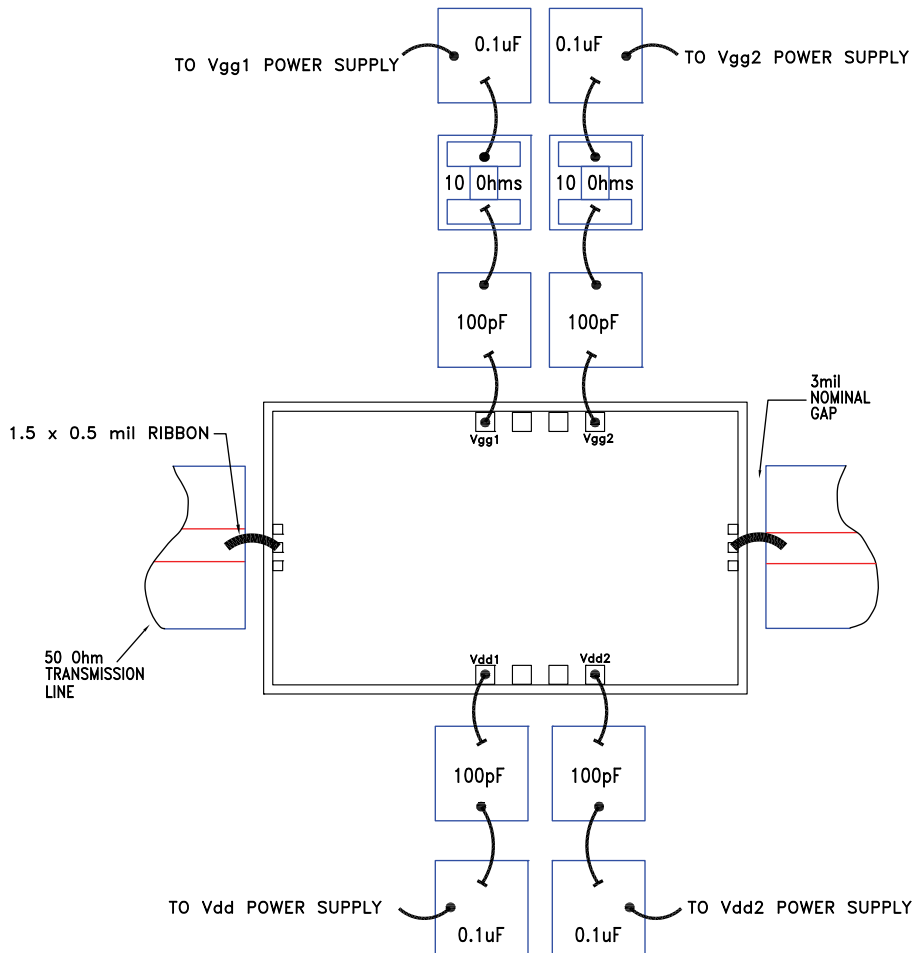


Information furnished by Analog Devices is believed to be accurate and reliable. However, no responsibility is assumed by Analog Devices for its use, nor for any infringements of patents or other rights of third parties that may result from its use. Specifications subject to change without notice. No license is granted by implication or otherwise under any patent or patent rights of Analog Devices. Trademarks and registered trademarks are the property of their respective owners.

For price, delivery, and to place orders: Analog Devices, Inc., One Technology Way, P.O. Box 9106, Norwood, MA 02062-9106 Phone: 781-329-4700 • Order online at www.analog.com Application Support: Phone: 1-800-ANALOG-D

**GaAs HEMT MMIC MEDIUM POWER
AMPLIFIER, 71 - 76 GHz**

Assembly Diagram



Note 1: Bypass caps should be 100 pF (approximately) single-layer placed no farther than 30 mils from the amplifier.

Note 2: Best performance is obtained by minimizing the length of the ribbon, 1.5 by 0.5 mil, on the input and output.

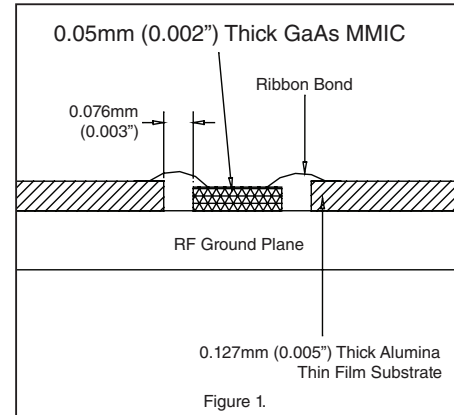
GaAs HEMT MMIC MEDIUM POWER AMPLIFIER, 71 - 76 GHz

Mounting & Bonding Techniques for Millimeterwave GaAs MMICs

The die should be attached directly to the ground plane eutectically or with conductive epoxy (see HMC general Handling, Mounting, Bonding Note).

50 Ohm Microstrip transmission lines on 0.127 mm (5 mil) thick alumina thin film substrates are recommended for bringing RF to and from the chip (Figure 1).

Microstrip substrates should be placed as close to the die as possible in order to minimize bond wire length. Typical die-to-substrate spacing is 0.076 mm to 0.152 mm (3 to 6 mils).



Handling Precautions

Follow these precautions to avoid permanent damage.

Storage: All bare die are placed in either Waffle or Gel based ESD protective containers, and then sealed in an ESD protective bag for shipment. Once the sealed ESD protective bag has been opened, all die should be stored in a dry nitrogen environment.

Cleanliness: Handle the chips in a clean environment. DO NOT attempt to clean the chip using liquid cleaning systems.

Static Sensitivity: Follow ESD precautions to protect against ESD strikes.

Transients: Suppress instrument and bias supply transients while bias is applied. Use shielded signal and bias cables to minimize inductive pick-up.

General Handling: Handle the chip along the edges with a vacuum collet or with a sharp pair of bent tweezers. The surface of the chip may have fragile air bridges and should not be touched with vacuum collet, tweezers, or fingers.

Mounting

The chip is back-metallized and can be die mounted with AuSn eutectic preforms or with electrically conductive epoxy. The mounting surface should be clean and flat.

Eutectic Die Attach: A 80/20 gold tin preform is recommended with a work surface temperature of 255 °C and a tool temperature of 265 °C. When hot 90/10 nitrogen/hydrogen gas is applied, tool tip temperature should be 290 °C. DO NOT expose the chip to a temperature greater than 320 °C for more than 20 seconds. No more than 3 seconds of scrubbing should be required for attachment.

Epoxy Die Attach: Apply a minimum amount of epoxy to the mounting surface so that a thin epoxy fillet is observed around the perimeter of the chip once it is placed into position. Cure epoxy per the manufacturer's schedule.

Wire Bonding

RF bonds made with 0.003" x 0.0005" ribbon are recommended. These bonds should be thermosonically bonded with a force of 40-60 grams. DC bonds of 0.001" (0.025 mm) diameter, thermosonically bonded, are recommended. Ball bonds should be made with a force of 40-50 grams and wedge bonds at 18-22 grams. All bonds should be made with a nominal stage temperature of 150 °C. A minimum amount of ultrasonic energy should be applied to achieve reliable bonds. All bonds should be as short as possible, less than 12 mils (0.31 mm).