

Evaluating the EVAL-CN0290-SDPZ

FEATURES

Self-contained board including:

- [ADF4106](#) PLL frequency synthesizer
- [ADCLK905](#) ultrafast ECL clock/data buffer
- [ADCLK925](#) ultrafast ECL clock/data buffer
- Ultralow noise voltage regulators: [ADP150](#), [ADP7102](#)
- 100 MHz VCXO
- USB interface

Accompanying [ADF4106](#) Integer-N software allows control of synthesizer functions from PC

ONLINE RESOURCES

Documents Needed

- [ADF4106](#) Data Sheet
- [ADCLK905](#) Data Sheet
- [ADCLK925](#) Data Sheet
- [ADP150](#) Data Sheet
- [ADP7102](#) Data Sheet

Required Software

- [Integer-N programming software](#)

Design and Integration Files

- [Schematics, Layout Files, Bill of Materials](#)

EQUIPMENT NEEDED

A standard PC running Windows® XP, Windows Vista (32-bit), or Windows 7 with a USB port

[EVAL-CN0290-SDPZ](#) circuit evaluation board

5.5 V power supplies

A signal source, such as the Rohde & Schwarz SMA 100

A spectrum analyzer, such as the Rohde & Schwarz FSUP

GENERAL DESCRIPTION

The [EVAL-CN0290-SDPZ](#) is the evaluation board described in the Circuits From the Lab™ [Circuit Note CN-0290](#), *Extending the Minimum Reference and Minimum Output Frequency of a Phase-Locked Loop*. A photo of the board is shown in Figure 1. It contains the [ADF4106](#) synthesizer, the [ADCLK905](#) clock buffer, [ADCLK925](#) clock buffer, ultralow noise LDOs, and a 100 MHz VCXO. The board can be programmed using the [ADF4106](#) Integer-N software. A USB cable is included with the board to connect to a PC USB port.

Additional information, including other PLL data sheets, technical notes, articles, and ADIsimPLL™ PLL simulation software from Analog Devices, Inc., is available at www.analog.com/pll.

PHOTO OF THE EVALUATION BOARD

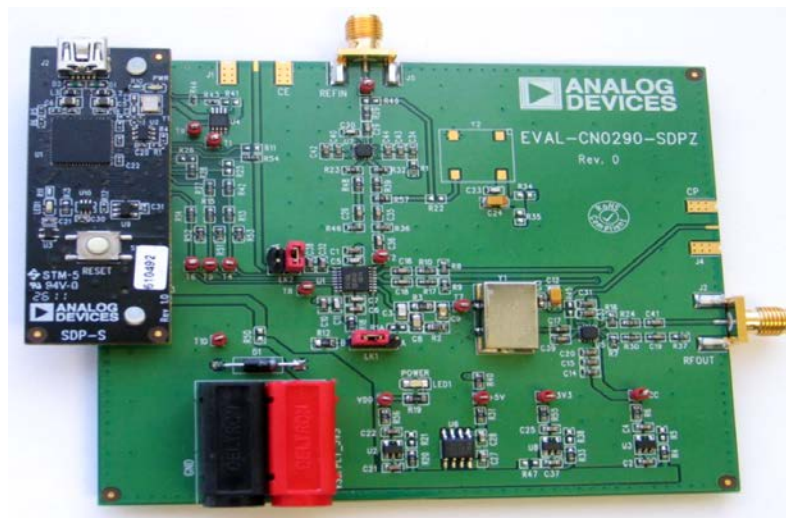


Figure 1. [EVAL-CN0290-SDPZ](#)

TABLE OF CONTENTS

Features	1	Power Supplies.....	3
Online Resources.....	1	Jumpers.....	3
Equipment Needed.....	1	RF Outputs	3
General Description	1	Loop Filter and Charge Pump Current	3
Photo of the Evaluation Board.....	1	Reference Source	3
Revision History	2	Evaluation Board Software Quick Start Procedures.....	4
Evaluation Board Hardware.....	3		

REVISION HISTORY

8/13—Revision 0: Initial Version

EVALUATION BOARD HARDWARE

POWER SUPPLIES

The user must apply 5.5 V to the VSUPPLY power connectors (4 mm banana connectors). LED 1 indicates when the main board is powered.

JUMPERS

Table 1 shows the required jumper positions for LK1 and LK2 for normal operation.

Table 1. Jumper Positions

Jumper	Position
LK1	B (RSET)
LK2	B (VDD)

Jumper LK1 in Position A enables the fastlock feature by the pin option, which is available on some PLL parts. The [ADF4106](#) does not use this option; instead, the fastlock mode is enabled by programming the fastlock bit.

Jumper LK2 in Position A powers up the [ADF4106](#) by writing to the CE pin.

RF OUTPUTS

The [ADCLK925](#) RF output is ac-coupled out to the RFOUT SMA. RFOUT coupling to the spectrum analyzer should be set for 50 Ω . The unused RF output is terminated with a similar 50 Ω termination.

LOOP FILTER AND CHARGE PUMP CURRENT

The loop filter schematic is included in the evaluation board, and can be found at www.analog.com/CN0290-DesignSupport.

The default loop filter is set to 818 Hz. Using a charge pump setting of 5 mA is recommended.

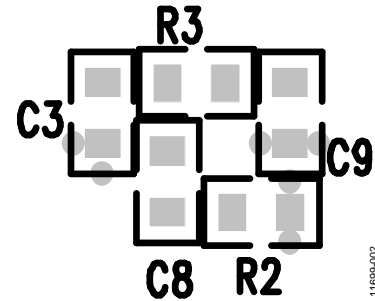


Figure 2. Loop Filter Layout

REFERENCE SOURCE

The default reference source for the board is an external reference using the REFIN SMA. The board has a footprint for a TCXO reference, if required.

In this case, remove the 51 Ω termination resistor, R36, and remove the 0 Ω link, R39, to isolate the [ADCLK905](#) RF output.

EVALUATION BOARD SOFTWARE QUICK START PROCEDURES

The control software for [EVAL-CN0290-SDPZ](#) uses the standard [ADF4106](#) Integer-N programming software. For more details on the installation and use of this software, consult [UG-476, PLL Software Installation Guide](#), and [UG-161, PLL Frequency Synthesizer Evaluation Board](#).

After installing the software, run the software by clicking the **ADI PLL Int-N** file on the desktop or in the **Start** menu. The software front panel opens (see Figure 3).

Confirm that **SDP Board connected** is displayed in the bottom left corner of the window. Otherwise, the software has no

connection to the evaluation board. In this case, check that the cable connection and USB drivers are correctly installed.

In the **Main Controls** tab of the software front panel, program the **RF VCO Output Frequency** to 100 MHz, the **PFD Frequency** to 1 MHz, the **Prescaler** to 8/9, and update all registers.

Note that the **RF VCO Output Frequency** box displayed in red, indicates that 100 MHz RF output frequency is below the data sheet minimum frequency level for a sine wave signal.

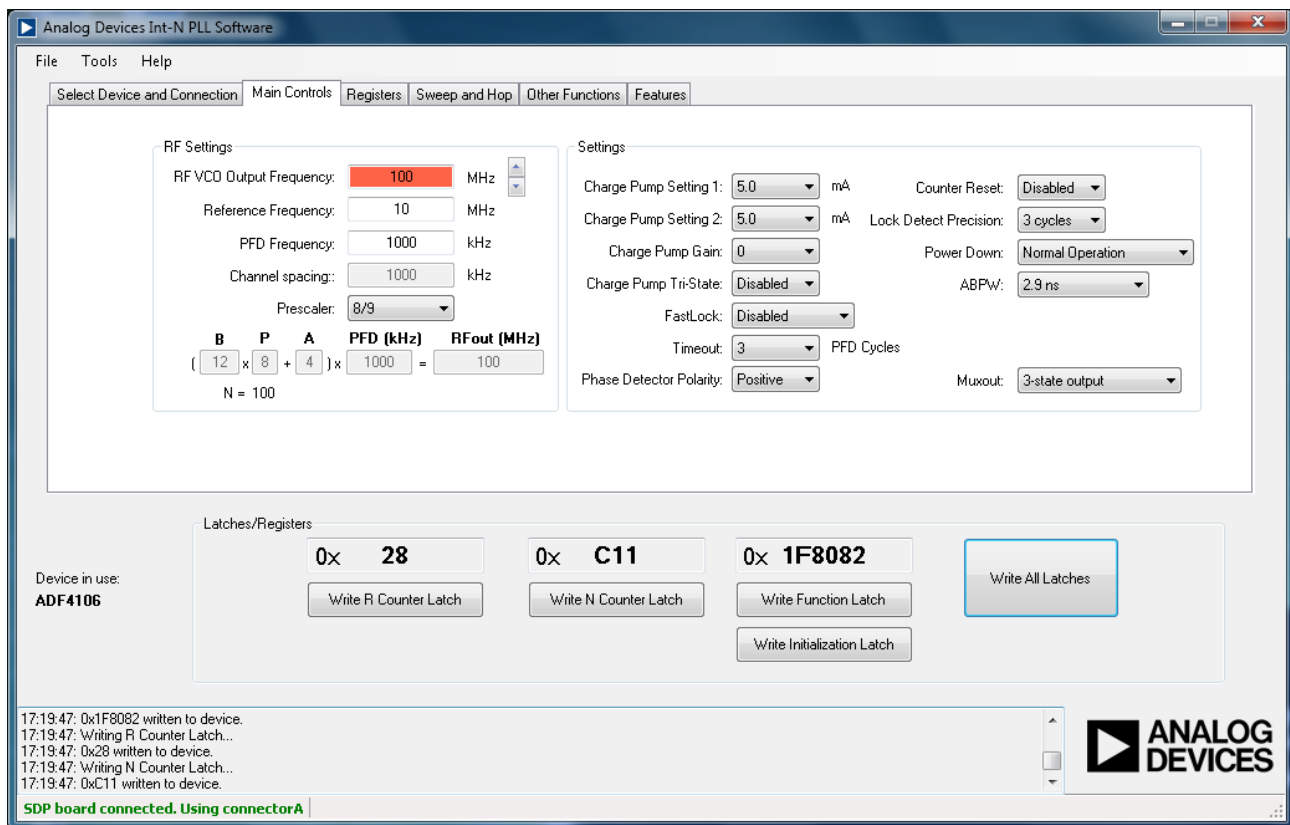


Figure 3. Software Front Panel

NOTES

NOTES

NOTES

NOTES

**ESD Caution**

ESD (electrostatic discharge) sensitive device. Charged devices and circuit boards can discharge without detection. Although this product features patented or proprietary protection circuitry, damage may occur on devices subjected to high energy ESD. Therefore, proper ESD precautions should be taken to avoid performance degradation or loss of functionality.

Legal Terms and Conditions

By using the evaluation board discussed herein (together with any tools, components documentation or support materials, the "Evaluation Board"), you are agreeing to be bound by the terms and conditions set forth below ("Agreement") unless you have purchased the Evaluation Board, in which case the Analog Devices Standard Terms and Conditions of Sale shall govern. Do not use the Evaluation Board until you have read and agreed to the Agreement. Your use of the Evaluation Board shall signify your acceptance of the Agreement. This Agreement is made by and between you ("Customer") and Analog Devices, Inc. ("ADI"), with its principal place of business at One Technology Way, Norwood, MA 02062, USA. Subject to the terms and conditions of the Agreement, ADI hereby grants to Customer a free, limited, personal, temporary, non-exclusive, non-sublicensable, non-transferable license to use the Evaluation Board FOR EVALUATION PURPOSES ONLY. Customer understands and agrees that the Evaluation Board is provided for the sole and exclusive purpose referenced above, and agrees not to use the Evaluation Board for any other purpose. Furthermore, the license granted is expressly made subject to the following additional limitations: Customer shall not (i) rent, lease, display, sell, transfer, assign, sublicense, or distribute the Evaluation Board; and (ii) permit any Third Party to access the Evaluation Board. As used herein, the term "Third Party" includes any entity other than ADI, Customer, their employees, affiliates and in-house consultants. The Evaluation Board is NOT sold to Customer; all rights not expressly granted herein, including ownership of the Evaluation Board, are reserved by ADI. CONFIDENTIALITY. This Agreement and the Evaluation Board shall all be considered the confidential and proprietary information of ADI. Customer may not disclose or transfer any portion of the Evaluation Board to any other party for any reason. Upon discontinuation of use of the Evaluation Board or termination of this Agreement, Customer agrees to promptly return the Evaluation Board to ADI. ADDITIONAL RESTRICTIONS. Customer may not disassemble, decompile or reverse engineer chips on the Evaluation Board. Customer shall inform ADI of any occurred damages or any modifications or alterations it makes to the Evaluation Board, including but not limited to soldering or any other activity that affects the material content of the Evaluation Board. Modifications to the Evaluation Board must comply with applicable law, including but not limited to the RoHS Directive. TERMINATION. ADI may terminate this Agreement at any time upon giving written notice to Customer. Customer agrees to return to ADI the Evaluation Board at that time. LIMITATION OF LIABILITY. THE EVALUATION BOARD PROVIDED HEREUNDER IS PROVIDED "AS IS" AND ADI MAKES NO WARRANTIES OR REPRESENTATIONS OF ANY KIND WITH RESPECT TO IT. ADI SPECIFICALLY DISCLAIMS ANY REPRESENTATIONS, ENDORSEMENTS, GUARANTEES, OR WARRANTIES, EXPRESS OR IMPLIED, RELATED TO THE EVALUATION BOARD INCLUDING, BUT NOT LIMITED TO, THE IMPLIED WARRANTY OF MERCHANTABILITY, TITLE, FITNESS FOR A PARTICULAR PURPOSE OR NON-INFRINGEMENT OF INTELLECTUAL PROPERTY RIGHTS. IN NO EVENT WILL ADI AND ITS LICENSORS BE LIABLE FOR ANY INCIDENTAL, SPECIAL, INDIRECT, OR CONSEQUENTIAL DAMAGES RESULTING FROM CUSTOMER'S POSSESSION OR USE OF THE EVALUATION BOARD, INCLUDING BUT NOT LIMITED TO LOST PROFITS, DELAY COSTS, LABOR COSTS OR LOSS OF GOODWILL. ADI'S TOTAL LIABILITY FROM ANY AND ALL CAUSES SHALL BE LIMITED TO THE AMOUNT OF ONE HUNDRED US DOLLARS (\$100.00). EXPORT. Customer agrees that it will not directly or indirectly export the Evaluation Board to another country, and that it will comply with all applicable United States federal laws and regulations relating to exports. GOVERNING LAW. This Agreement shall be governed by and construed in accordance with the substantive laws of the Commonwealth of Massachusetts (excluding conflict of law rules). Any legal action regarding this Agreement will be heard in the state or federal courts having jurisdiction in Suffolk County, Massachusetts, and Customer hereby submits to the personal jurisdiction and venue of such courts. The United Nations Convention on Contracts for the International Sale of Goods shall not apply to this Agreement and is expressly disclaimed.

©2013 Analog Devices, Inc. All rights reserved. Trademarks and registered trademarks are the property of their respective owners.
UG11699-0-8/13(0)



www.analog.com