

# CKCA43X5R1H223M100AA

TDK Item Description : CKCA43X5R1H223MT\*\*\*\*

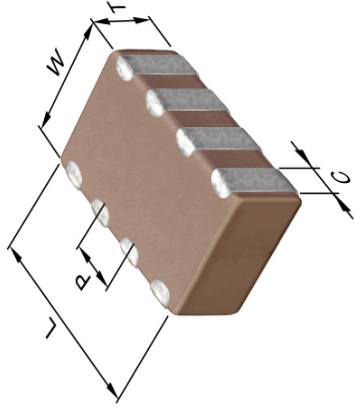


## Application & Main Feature

Commercial Grade ( 4 in 1 Array )

## Series

CKCA43(3216) [EIA CC1206]



## Dimensions

|   |        |           |
|---|--------|-----------|
| L | 3.20mm | +/-0.2mm  |
| W | 1.60mm | +/-0.2mm  |
| T | 1.00mm | +/-0.15mm |
| C | 0.40mm | Nom.      |
| P | 0.80mm | Nom.      |

## Temperature Characteristic

X5R (-55 to 85 degC +/-15%)

## Rated Voltage

1H (50Vdc)

## Capacitance

22nF

## Capacitance Tolerance

M (+/-20%)

## Dissipation Factor

3% Max.

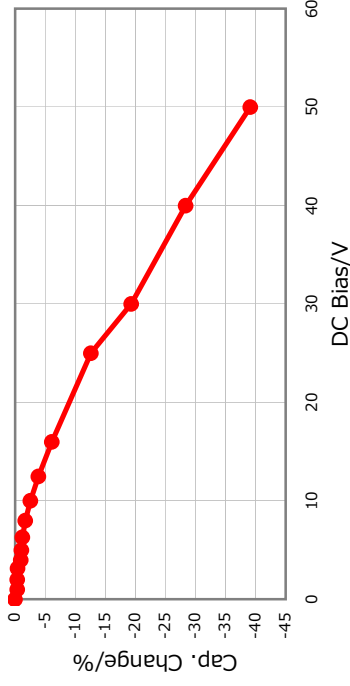
## Insulation Resistance

10Gohm Min.

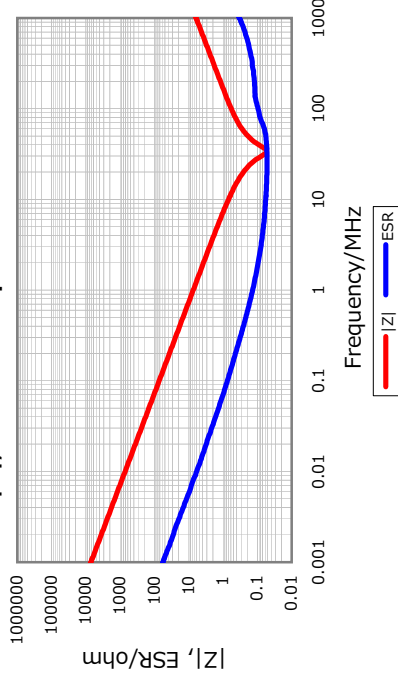
## AEC-Q200

Not Applicable

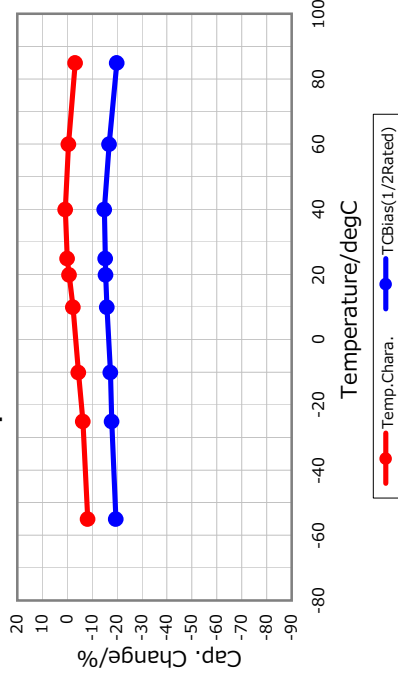
## DC Bias Characteristic



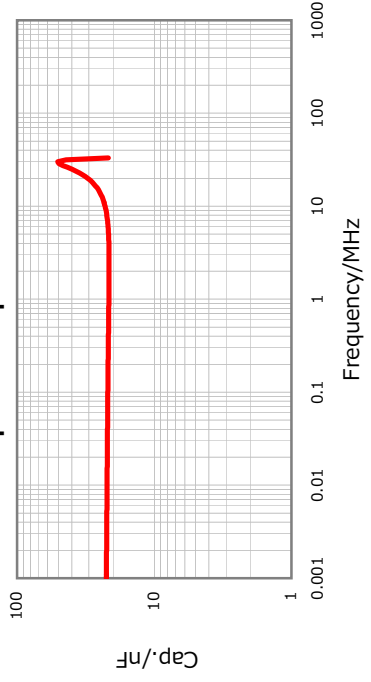
## |Z|, ESR vs. Freq. Characteristics



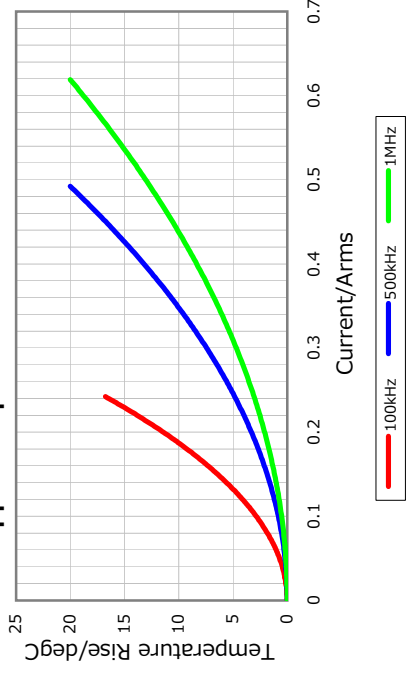
## Temperature Characteristics



## Cap. vs. Freq. Characteristic



## Ripple Temperature Rise Characteristics



All specifications are subject to change without notice.

January 4, 2016