

CKCA43X5R1C104M100AA

TDK Item Description : CKCA43X5R1C104MT*****

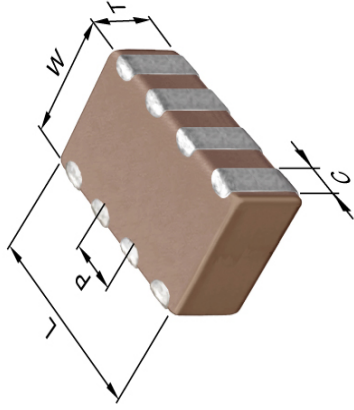


Application & Main Feature

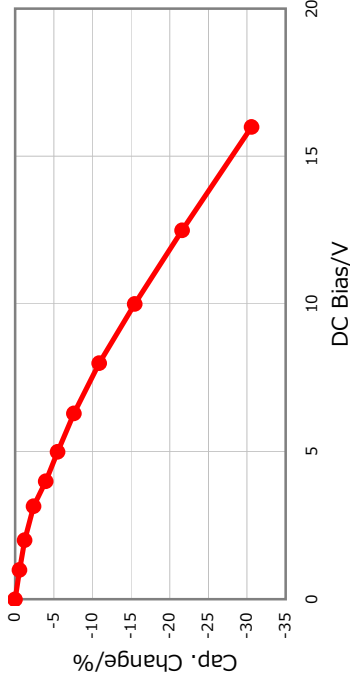
Commercial Grade (4 in 1 Array)

Series

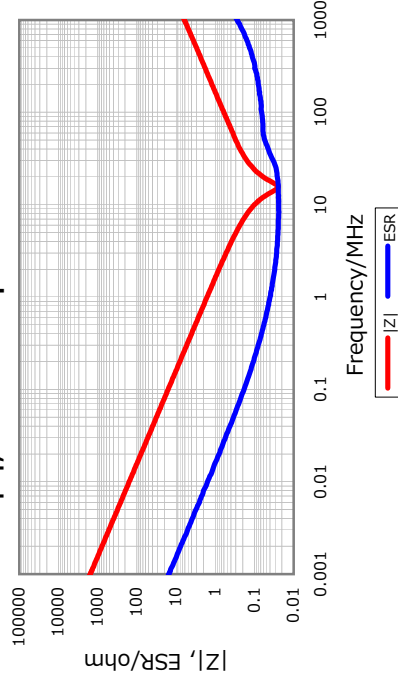
CKCA43(3216) [EIA CC1206]



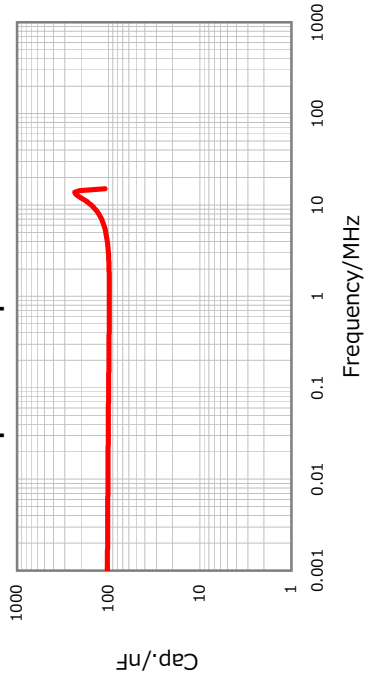
DC Bias Characteristic



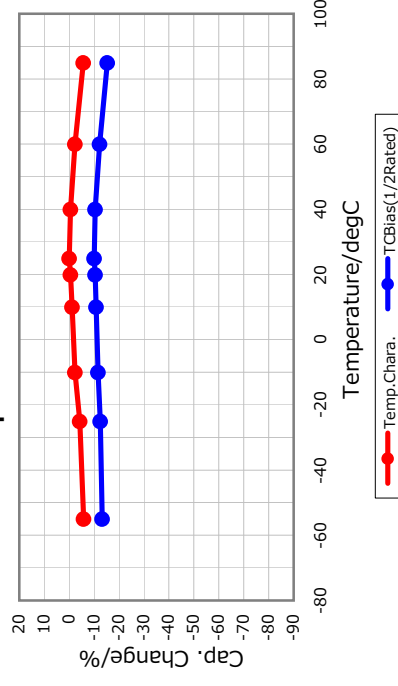
|Z|, ESR vs. Freq. Characteristics



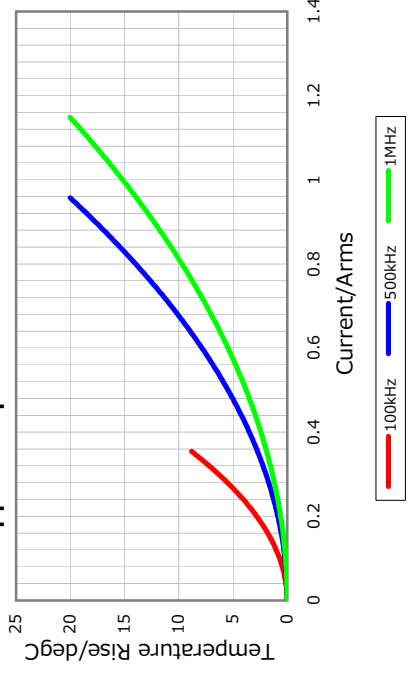
Cap. vs. Freq. Characteristic



Temperature Characteristics



Ripple Temperature Rise Characteristics



Dimensions

- L 3.20mm +/-0.2mm
- W 1.60mm +/-0.2mm
- T 1.00mm +/-0.15mm
- C 0.40mm Nom.
- P 0.80mm Nom.

Temperature Characteristic

X5R (-55 to 85 degC +/-15%)

Rated Voltage

1C (16Vdc)

Capacitance

100nF

Capacitance Tolerance

M (+/-20%)

Dissipation Factor

5% Max.

Insulation Resistance

1Gohm Min.

AEC-Q200

Not Applicable



All specifications are subject to change without notice.

January 4, 2016