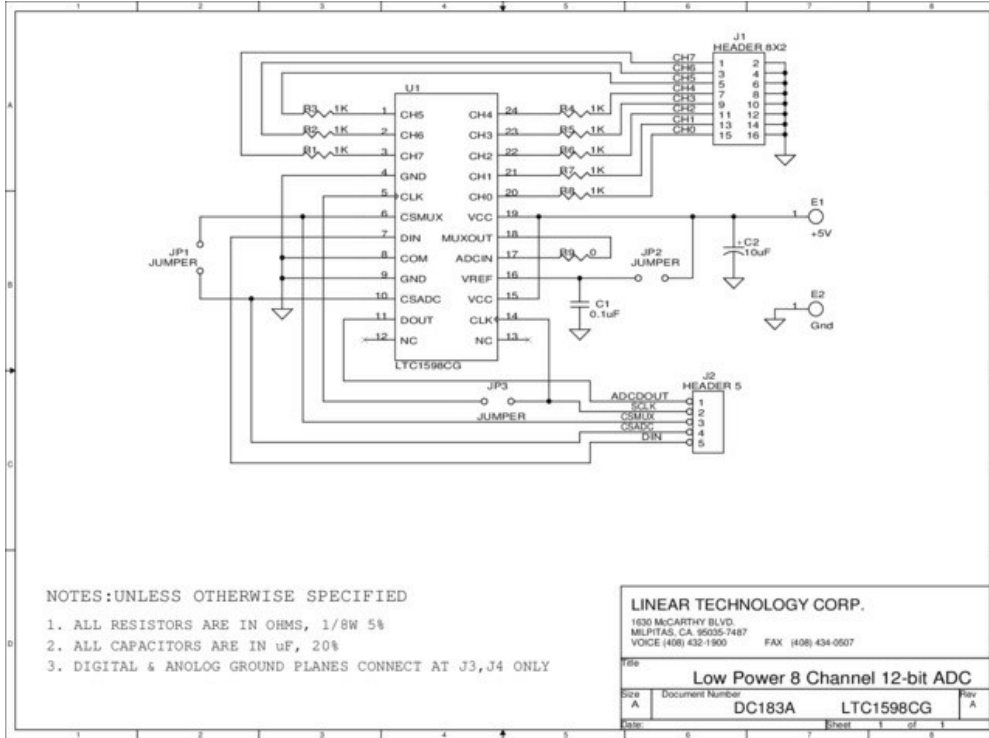


Solutions > Data Conversion > Analog-to-Digital Converters (ADC) > Precision ADCs (Fs < 10MSPs)

DC183A - LTC1598CG | 12-Bit, Low Power, 8-Channel, Serial ADC

DC183A - Demo Board for:
LTC1598 - 8-Channel, Micropower Sampling 12-Bit Serial I/O A/D Converter



ORDER NOW

BUY

DOCUMENTATION

Demo Board Design File
[DC183A - Design Files](#)

Demo Board Schematic
[DC183A - Schematic](#)

PRODUCTS

[LTC1598 - 8-Channel, Micropower Sampling 12-Bit Serial I/O A/D Converter](#)