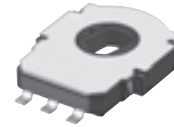


10 mm GS Sensors

Type: **EVWAE/EVWAD**

Low profile, long life sensor, which is suitable for detecting the angles of rotating axes.



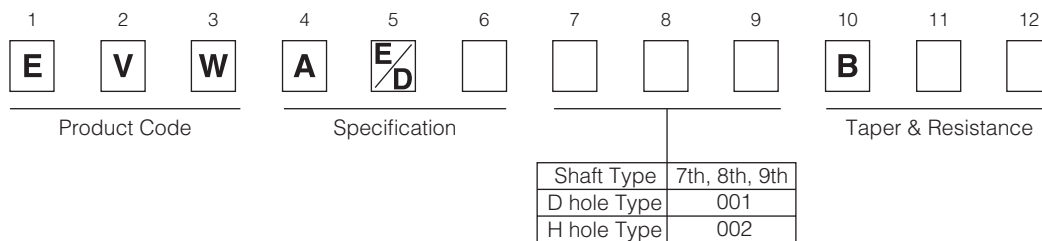
■ Features

- Low profile (H=2.2 mm),
Shaft hole diameters of up to 4 mm are available.
- Long operation life: 1 million operation cycles.
- A wide electrical output angle of a maximum 343 °,
ready for SMDs

■ Recommended Applications

- Detection of robot joint angles
- Detection of air conditioner damper angles
- Detection of various control unit angles

■ Explanation of Part Numbers



■ Specifications

| | | |
|-------------------------------|------------------|--|
| Mechanical | Rating | 0.05 W, 5V |
| | Operating Force | 3 mN·m max. |
| Electrical | Total Resistance | 5 kΩ±30 %, 10 kΩ±30 % |
| | Linearity | ±2 % max. |
| Endurance | Operating Life | 1,000,000 cycles min. (operation Angle ±30°) |
| Minimum Quantity/Packing Unit | | 1,500 pcs. Embossed Taping (Reel Pack) |
| Quantity/Carton | | 6,000 pcs. |

Design and specifications are each subject to change without notice. Ask factory for the current technical specifications before purchase and/or use.
Should a safety concern arise regarding this product, please be sure to contact us immediately.

■ Dimensions in mm (not to scale)

No. 1 General dimension tolerance : ± 0.3
() dimensions are reference dimensions.

EVWA
With sleeve Type

| | |
|------------|---------------|
| Shaft Type | 7th, 8th, 9th |
| D Type | 001 |
| H Type | 002 |

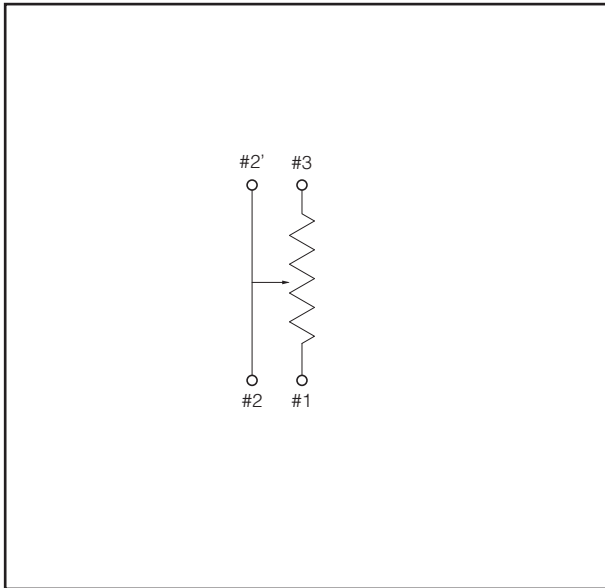
No. 2 General dimension tolerance : ± 0.3
() dimensions are reference dimensions.

EVWA
Without sleeve Type

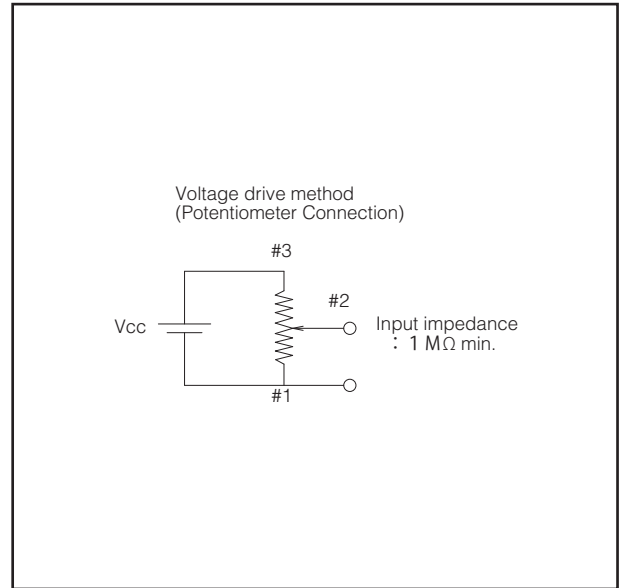
| | |
|------------|---------------|
| Shaft Type | 7th, 8th, 9th |
| D Type | 001 |
| H Type | 002 |

Design and specifications are each subject to change without notice. Ask factory for the current technical specifications before purchase and/or use.
Should a safety concern arise regarding this product, please be sure to contact us immediately.

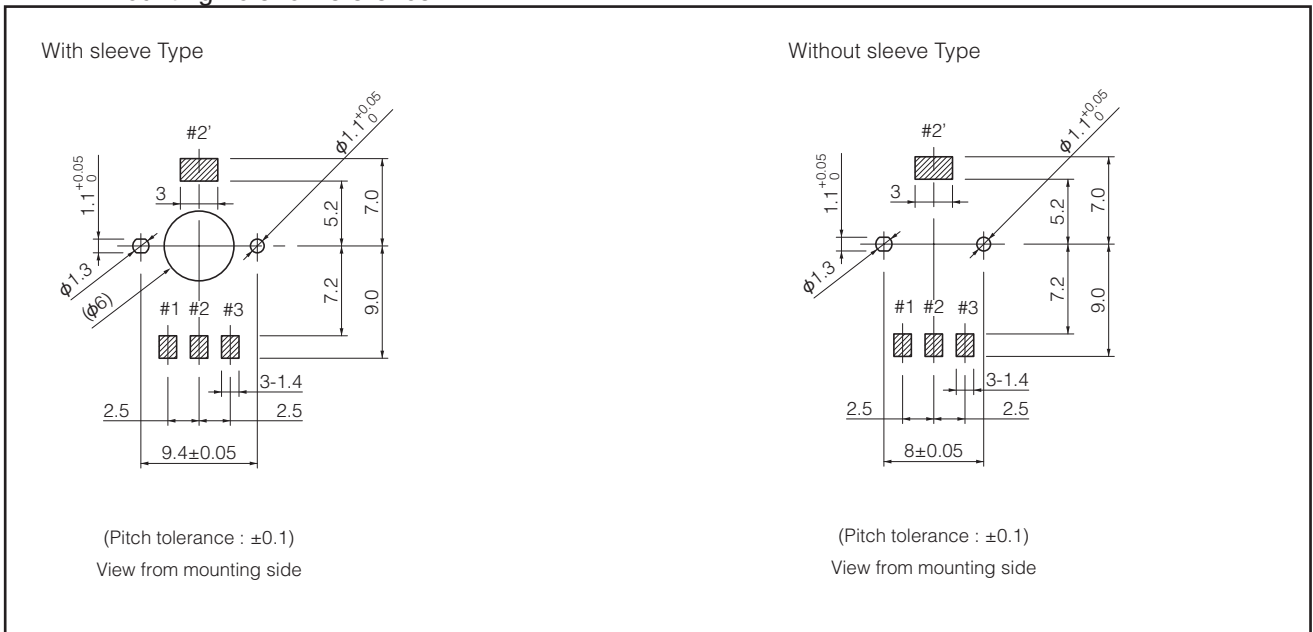
■ Circuit diagram



■ Test circuit diagram



■ PWB mounting hole for reference



Design and specifications are each subject to change without notice. Ask factory for the current technical specifications before purchase and/or use.
Should a safety concern arise regarding this product, please be sure to contact us immediately.