

DESCRIPTION

Demonstration circuit 806A features the LTC[®]1867 Octal 16-bit ADC. The LTC1867 can be software programmed for a unipolar 0V to 4.096V or bipolar ± 2.048 V input range. The 8 channel multiplexer can be programmed for 8 single-ended inputs with respect to ground, 7 single-ended inputs with respect to the COM/CH7 pin, 4 differential inputs, or any combination of these.

The LTC1867's DC performance is outstanding with a ± 2 LSB INL specification and no missing codes over temperature.

The signal-to-noise ratio (SNR) for the LTC1867 is typically 89dB. The LTC1863 is the 12-bit version of the LTC1867. Housed in a compact, narrow 16-pin SSOP package, the LTC1863/LTC1867 is ideal for space sensitive and low power applications.

Design files for this circuit board are available at <http://www.linear.com/demo>

LT, LT, LTC, LTM, μ Module, Linear Technology and the Linear logo are registered trademarks of Linear Technology Corporation. All other trademarks are the property of their respective owners.

BOARD PHOTO

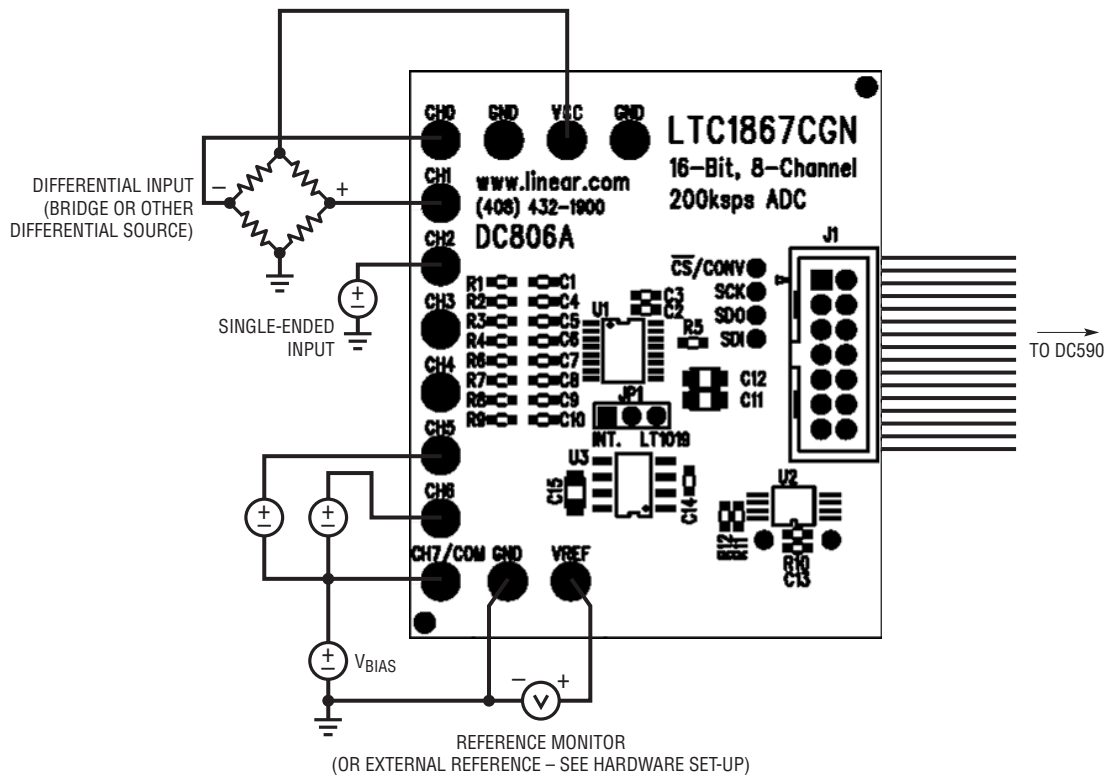


Figure 1. Connection Diagram

DEMO MANUAL DC806A

QUICK START PROCEDURE

Connect DC806A to a DC590 USB serial controller using the supplied 14 conductor ribbon cable. Connect DC590 to a host PC with a standard USB A/B cable. Run the evaluation software supplied with DC590 or download it from www.linear.com. The correct control panel will be loaded automatically. Click the Collect button to begin reading the ADC.

Change the channel and range by right-clicking over the channel or range indicator in the display.

Complete software documentation is available from the Help menu item, as features may be added periodically.

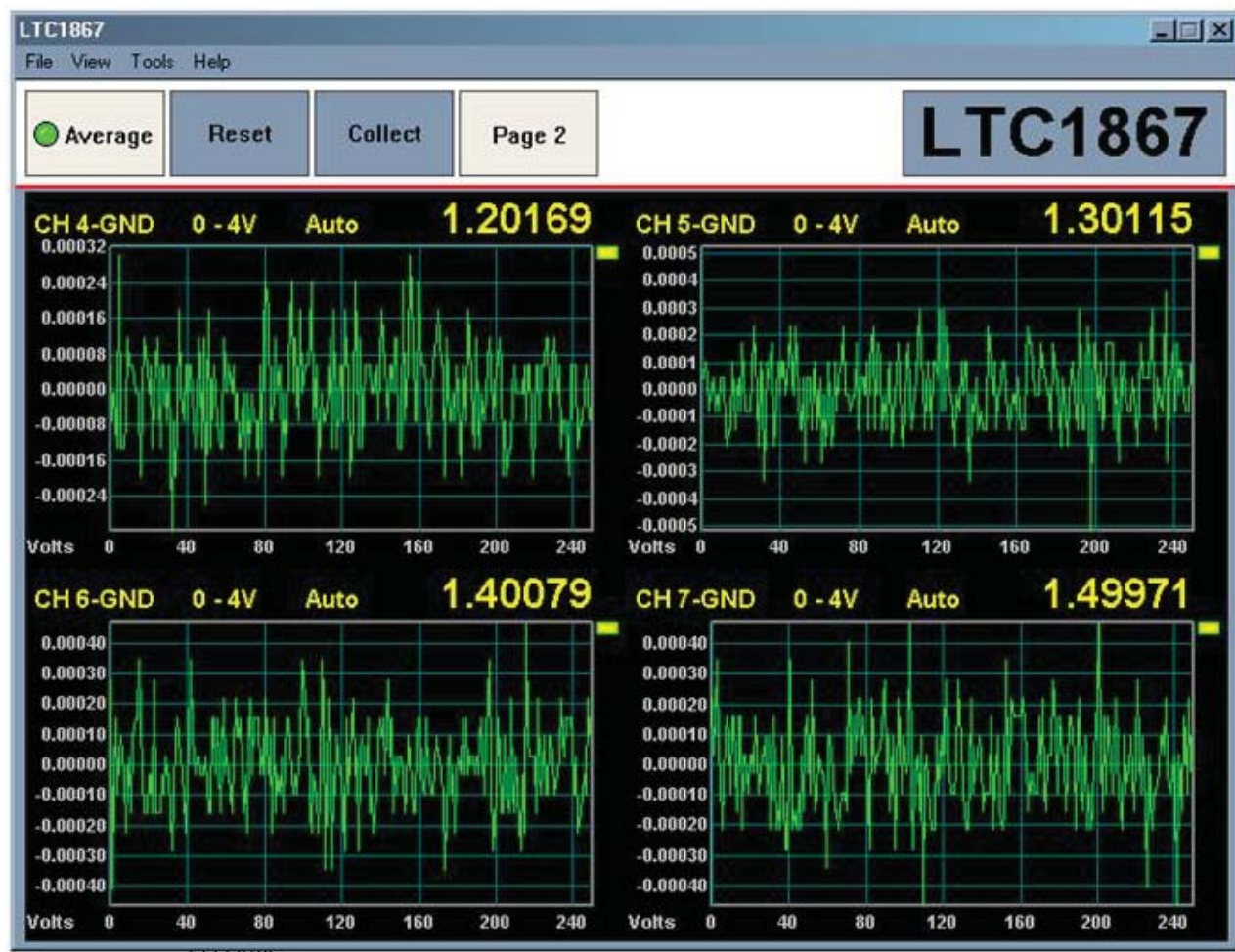


Figure 2. Software Screenshot

HARDWARE SET-UP

JUMPERS

JP1: Select reference, either internal or the onboard LT1019 reference.

ANALOG CONNECTIONS (TURRET POSTS)

GND (3×): Ground plane connections. DC806 can also be grounded to an application circuit by the exposed ground planes at the edges of the board.

CH0 – CH7/COM: Analog inputs to LTC1859. Each input has a 100Ω/1000pF filter to reduce wideband noise pickup.

V_{REF}: Reference pin on LTC1859. When JP2 is set to INT, the LTC1867 uses its internal reference, or an external

reference can be connected to this pin, overdriving the internal reference. When JP2 is set to LT1019, this turret should only be used for monitoring the reference voltage.

GROUNDING AND POWER CONNECTIONS

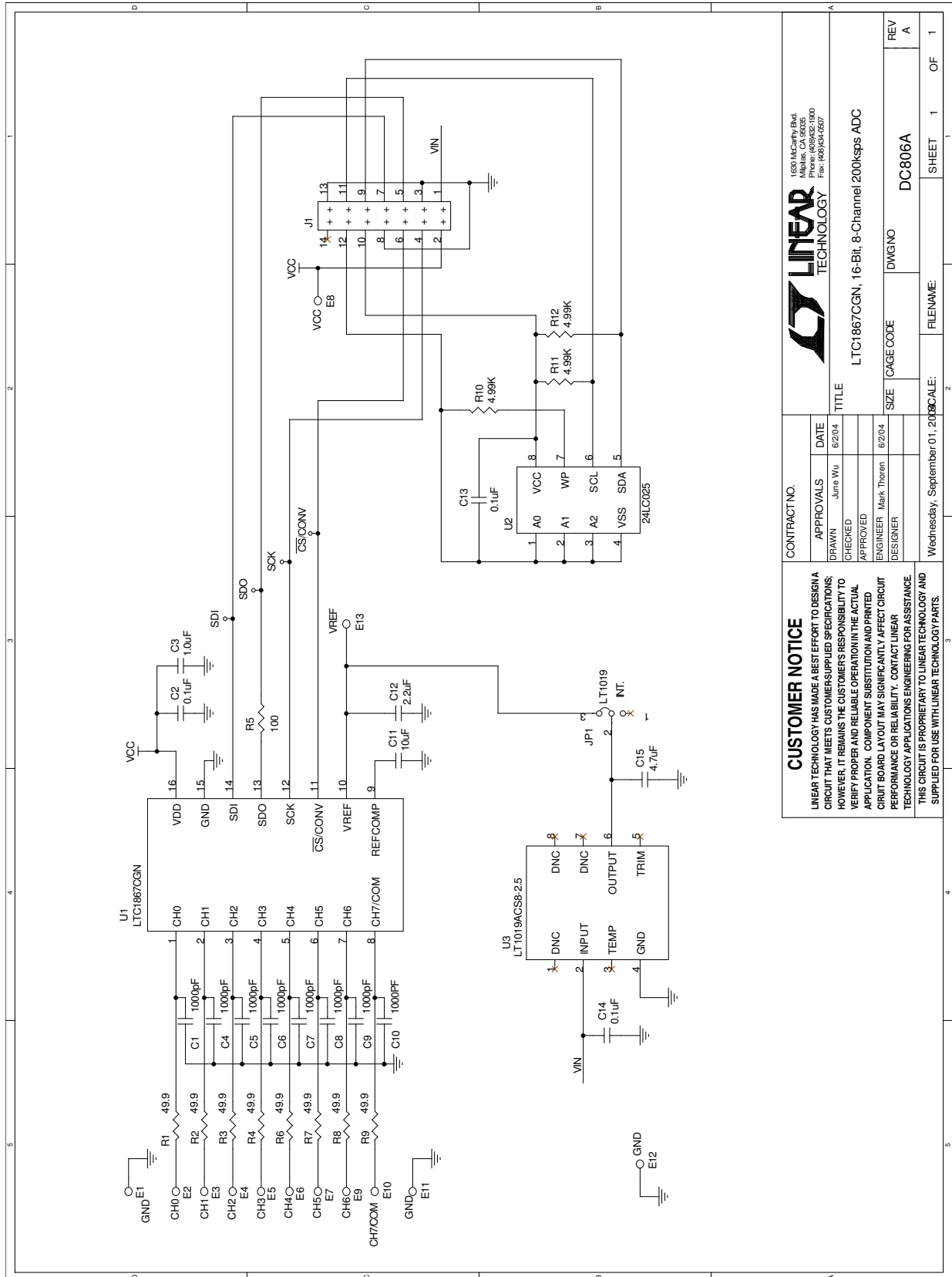
DC806 does not require any external power source when used with the DC590 USB controller board. However, an external 5V power source can be connected to the V_{CC} and ground turrets if the power supply on DC590 has been disabled. Refer to the DC590 quick start guide for more information.

DEMO MANUAL DC806A

PARTS LIST

ITEM	QTY	REFERENCE	PART DESCRIPTION	MANUFACTURER/PART NUMBER
Required Circuit Components				
1	8	C1, C4, C5-C10	CAP., COG, 1000pF, 50V, 5%, 0603	AVX, 06035A102JAT2A
2	3	C2, C13, C14	CAP., X7R, 0.1µF, 10V, 20%, 0603	AVX, 0603ZC104MAT2A
3	1	C3	CAP., X5R, 1µF, 10V, 20%, 0603	AVX, 0603ZD105MAT2A
4	1	C11	CAP., X5R, 10µF, 6.3V, 20%, 0805	Taiyo Yuden, JMK212BJ106MG
5	1	C12	CAP., X5R, 2.2µF, 10V, 20%, 0805	Taiyo Yuden, LMK212BJ225MG
6	1	C15	CAP., X5R, 4.7µF, 6.3V, 20%, 0805	Taiyo Yuden, JMK212BJ475MG
7	13	E1-E13	TURRET, TESTPOINT .064"	MILL-MAX, 2308-2
8	1	JP1	0.079 SINGLE ROW HEADER, 3-PIN	COMM CON, 2802S-03-G2
9	1	JP1	SHUNT	COMM CON, CCIJ2MM-138G
10	1	J1	CONNECTOR, DUAL 2x7 .079CC	MOLEX, 87331-1420
11	8	R1-R4, R6-R9	RES., CHIP, 49.9, 1/16W, 1% 0603	AAC, CR16-49R9FM
12	1	R5	RES., CHIP, 100, 1/16W, 5% 0603	AAC, CR16-101JM
13	3	R10, R11, R12	RES., CHIP, 4.99k, 1/16W, 1% 0603	AAC, CR16-4991FM
14	1	U1	I.C. LTC1867CGN SSOP-16GN	LINEAR, LTC1867CGN
15	1	U2	I.C., Serial EEPROM TSSOP8	MICROCHIP, 24LC025-I /ST
16	1	U3	I.C. LT1019ACS8-2.5 SO-8	LINEAR, LT1019ACS8-2.5
17	1	FOR INVENTORY ONLY	CABLE ASSY., 8" STRIP	LINEAR RIBBON CABLE CA-2440
18	1		FAB, PRINTED CIRCUIT BOARD	DEMO CIRCUIT #806A
19	1		STENCIL	STENCIL #806A

SCHEMATIC DIAGRAM



CONTRACT NO.		APPROVALS		DATE	
		DRAWN June Wli		6/2/04	
CUSTOMER NOTICE		CHECKED			
LINEAR TECHNOLOGY HAS MADE A BEST EFFORT TO DESIGN A CIRCUIT THAT MEETS CUSTOMER-SUPPLIED SPECIFICATIONS; HOWEVER, IT REMAINS THE CUSTOMER'S RESPONSIBILITY TO VERIFY PROPER AND RELIABLE OPERATION IN THE ACTUAL APPLICATION. COMPONENT SUBSTITUTION AND PRINTED CIRCUIT BOARD LAYOUT MAY SIGNIFICANTLY AFFECT CIRCUIT PERFORMANCE OR RELIABILITY. CONTACT LINEAR TECHNOLOGY APPLICATIONS ENGINEERING FOR ASSISTANCE. THIS CIRCUIT IS PROPRIETARY TO LINEAR TECHNOLOGY AND SUPPLIED FOR USE WITH LINEAR TECHNOLOGY PARTS.		APPROVED			
		DESIGNER		6/2/04	
		ENGINEER Mark Thoren			
TITLE		SIZE		FILENAME:	
LTC1867CGN, 16-Bit, 8-Channel 200ksps ADC		CAGE CODE DWGNO		DC806A	
		REV		REV	
		A		A	
		SHEET 1		OF 1	



1630 McCarthy Blvd.
Milpitas, CA 95035
Tel: 408/996-8800
Fax: 408/996-6597

CUSTOMER NOTICE
 LINEAR TECHNOLOGY HAS MADE A BEST EFFORT TO DESIGN A CIRCUIT THAT MEETS CUSTOMER-SUPPLIED SPECIFICATIONS; HOWEVER, IT REMAINS THE CUSTOMER'S RESPONSIBILITY TO VERIFY PROPER AND RELIABLE OPERATION IN THE ACTUAL APPLICATION. COMPONENT SUBSTITUTION AND PRINTED CIRCUIT BOARD LAYOUT MAY SIGNIFICANTLY AFFECT CIRCUIT PERFORMANCE OR RELIABILITY. CONTACT LINEAR TECHNOLOGY APPLICATIONS ENGINEERING FOR ASSISTANCE. THIS CIRCUIT IS PROPRIETARY TO LINEAR TECHNOLOGY AND SUPPLIED FOR USE WITH LINEAR TECHNOLOGY PARTS.

DEMO MANUAL DC806A

DEMONSTRATION BOARD IMPORTANT NOTICE

Linear Technology Corporation (LTC) provides the enclosed product(s) under the following **AS IS** conditions:

This demonstration board (DEMO BOARD) kit being sold or provided by Linear Technology is intended for use for **ENGINEERING DEVELOPMENT OR EVALUATION PURPOSES ONLY** and is not provided by LTC for commercial use. As such, the DEMO BOARD herein may not be complete in terms of required design-, marketing-, and/or manufacturing-related protective considerations, including but not limited to product safety measures typically found in finished commercial goods. As a prototype, this product does not fall within the scope of the European Union directive on electromagnetic compatibility and therefore may or may not meet the technical requirements of the directive, or other regulations.

If this evaluation kit does not meet the specifications recited in the DEMO BOARD manual the kit may be returned within 30 days from the date of delivery for a full refund. **THE FOREGOING WARRANTY IS THE EXCLUSIVE WARRANTY MADE BY THE SELLER TO BUYER AND IS IN LIEU OF ALL OTHER WARRANTIES, EXPRESSED, IMPLIED, OR STATUTORY, INCLUDING ANY WARRANTY OF MERCHANTABILITY OR FITNESS FOR ANY PARTICULAR PURPOSE. EXCEPT TO THE EXTENT OF THIS INDEMNITY, NEITHER PARTY SHALL BE LIABLE TO THE OTHER FOR ANY INDIRECT, SPECIAL, INCIDENTAL, OR CONSEQUENTIAL DAMAGES.**

The user assumes all responsibility and liability for proper and safe handling of the goods. Further, the user releases LTC from all claims arising from the handling or use of the goods. Due to the open construction of the product, it is the user's responsibility to take any and all appropriate precautions with regard to electrostatic discharge. Also be aware that the products herein may not be regulatory compliant or agency certified (FCC, UL, CE, etc.).

No License is granted under any patent right or other intellectual property whatsoever. **LTC assumes no liability for applications assistance, customer product design, software performance, or infringement of patents or any other intellectual property rights of any kind.**

LTC currently services a variety of customers for products around the world, and therefore this transaction **is not exclusive**.

Please read the DEMO BOARD manual prior to handling the product. Persons handling this product must have electronics training and observe good laboratory practice standards. **Common sense is encouraged.**

This notice contains important safety information about temperatures and voltages. For further safety concerns, please contact a LTC application engineer.

Mailing Address:

Linear Technology
1630 McCarthy Blvd.
Milpitas, CA 95035

Copyright © 2004, Linear Technology Corporation