

C5750X7T2J474M250KC

TDK Item Description : C5750X7T2J474MT****



Application & Main Feature

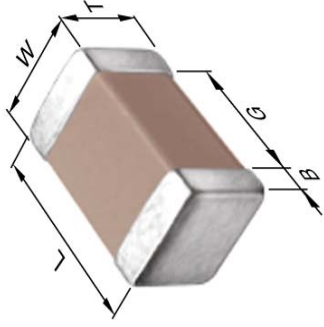
Commercial Grade (Mid Voltage (100 to 630V))

Series

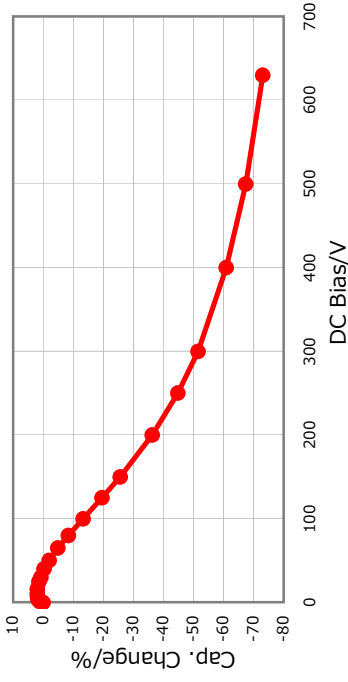
C5750 [EIA CC2220]

Dimensions

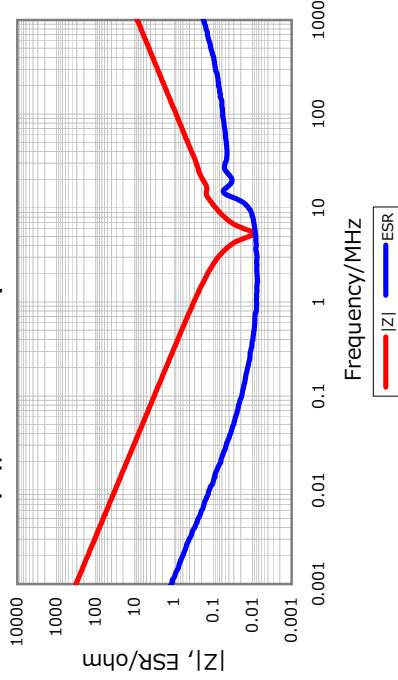
L 5.70mm +/-0.4mm
 W 5.00mm +/-0.4mm
 T 2.50mm +/-0.3mm
 B 0.20mm Min.
 G



DC Bias Characteristic



|Z|, ESR vs. Freq. Characteristics



Temperature Characteristic

X7T (-55 to 125 degC +22,-33%)

Rated Voltage

2J (630Vdc)

Capacitance

470nF

Capacitance Tolerance

M (+/-20%)

Dissipation Factor

2.5% Max.

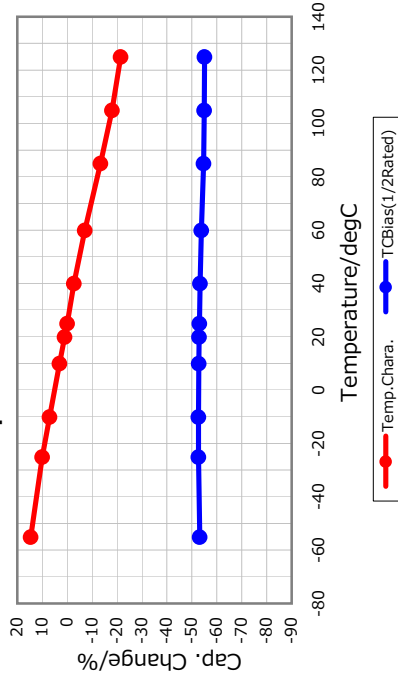
Insulation Resistance

1.06Gohm Min.

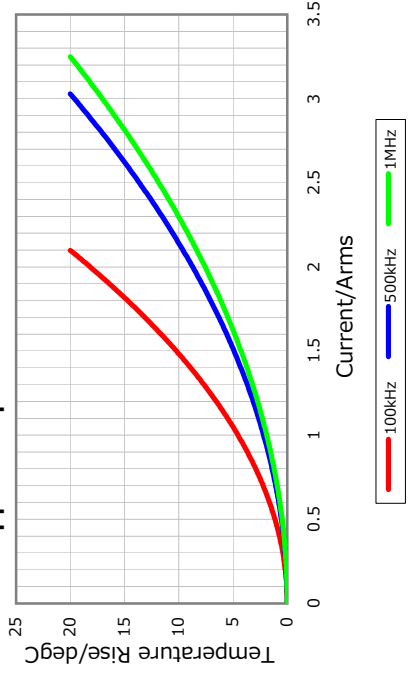
AEC-Q200

Not Applicable

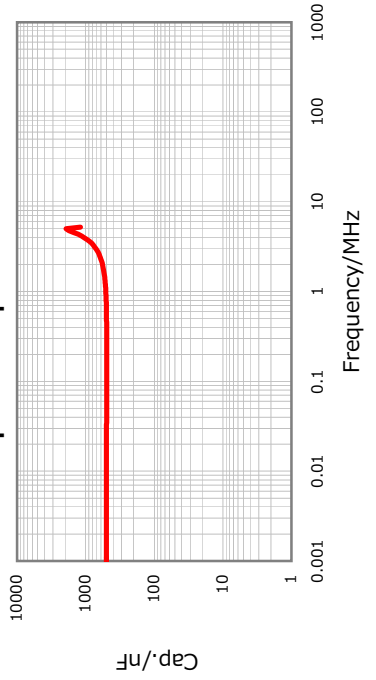
Temperature Characteristics



Ripple Temperature Rise Characteristics



Cap. vs. Freq. Characteristic



All specifications are subject to change without notice.

January 4, 2016